

# MOUNTING AND OPERATING INSTRUCTIONS



## EB 5573-1 EN

Translation of original instructions



## TROVIS 5573-1 Heating and District Heating Controller With graphics display

Firmware version 2.63



Edition January 2023

## Note on these mounting and operating instructions

These mounting and operating instructions assist you in mounting and operating the device safely. The instructions are binding for handling SAMSON devices. The images shown in these instructions are for illustration purposes only. The actual product may vary.

- For the safe and proper use of these instructions, read them carefully and keep them for later reference.
- If you have any questions about these instructions, contact SAMSON's After-sales Service ([aftersaleservice@samsongroup.com](mailto:aftersaleservice@samsongroup.com)).



Documents relating to the device, such as the mounting and operating instructions, are available on our website at [www.samsongroup.com](http://www.samsongroup.com) > **Service & Support > Downloads > Documentation.**

## Definition of signal words

### **DANGER**

*Hazardous situations which, if not avoided, will result in death or serious injury*

### **WARNING**

*Hazardous situations which, if not avoided, could result in death or serious injury*

### **NOTICE**

*Property damage message or malfunction*

### **Note**

*Additional information*

### **Tip**

*Recommended action*

<b>1</b>	<b>Safety instructions and measures</b> .....	<b>1-1</b>
1.1	Notes on possible severe personal injury .....	1-3
1.2	Notes on possible property damage .....	1-3
<b>2</b>	<b>Markings on the device</b> .....	<b>2-1</b>
2.1	Nameplate .....	2-1
2.2	Device version .....	2-1
2.3	Firmware versions .....	2-2
<b>3</b>	<b>Design and principle of operation</b> .....	<b>3-1</b>
3.1	Configuration using TROVIS-VIEW .....	3-1
3.2	Connection to SAM DISTRICT ENERGY .....	3-2
3.3	Technical data .....	3-3
3.4	Dimensions .....	3-4
3.5	Values for resistance thermometers .....	3-5
<b>4</b>	<b>Shipment and on-site transport</b> .....	<b>4-1</b>
4.1	Accepting the delivered goods .....	4-1
4.2	Removing the packaging from the controller .....	4-1
4.3	Transporting the heating controller .....	4-1
4.4	Storing the controller .....	4-1
<b>5</b>	<b>Installation</b> .....	<b>5-1</b>
5.1	Installation conditions .....	5-1
5.2	Preparation for installation .....	5-1
5.3	Mounting the controller .....	5-1
5.4	Electrical connection .....	5-3
<b>6</b>	<b>Operation</b> .....	<b>6-1</b>
6.1	Operating controls .....	6-1
6.2	Interfaces .....	6-2
6.2.1	Meter bus interface (TROVIS 5573-11 only) .....	6-2
6.2.2	Optional interfaces .....	6-2
6.2.3	Accessories .....	6-2
<b>7</b>	<b>Start-up and configuration</b> .....	<b>7-1</b>
7.1	Altering the display contrast .....	7-2
7.2	Changing the display language .....	7-3
7.3	Setting the system code number .....	7-3
7.4	Activating and deactivating functions .....	7-5
7.5	Changing parameters .....	7-7
7.6	Calibrating sensors .....	7-8

## Contents

7.6.1	Special values.....	7-10
7.7	Entering customized key number .....	7-10
<b>8</b>	<b>Setup .....</b>	<b>8-1</b>
8.1	Selecting the operating mode.....	8-1
8.2	Schedules.....	8-2
8.2.1	Setting the time and date.....	8-2
8.2.2	Setting the times-of-use.....	8-4
8.2.3	Setting the party timer (special time-of-use).....	8-6
8.2.4	Programming public holidays (special times-of-use) .....	8-7
8.2.5	Programming vacation periods (special times-of-use).....	8-9
8.3	Entering day and night set points .....	8-11
8.4	Reset to default settings.....	8-13
8.5	Reading information .....	8-13
8.5.1	Adapting the Trend-Viewer .....	8-18
8.6	Operating the controller in manual mode.....	8-19
<b>9</b>	<b>Malfunctions .....</b>	<b>9-1</b>
9.1	Error list .....	9-1
9.2	Sensor failure .....	9-2
9.3	Temperature monitoring.....	9-3
9.4	Fault alarm output.....	9-3
9.5	Error status register .....	9-3
<b>10</b>	<b>Servicing.....</b>	<b>10-1</b>
<b>11</b>	<b>Decommissioning .....</b>	<b>11-1</b>
<b>12</b>	<b>Removal .....</b>	<b>12-1</b>
<b>13</b>	<b>Repairs .....</b>	<b>13-1</b>
13.1	Returning devices to SAMSON .....	13-1
<b>14</b>	<b>Disposal.....</b>	<b>14-1</b>
<b>15</b>	<b>Certificates.....</b>	<b>15-1</b>
<b>16</b>	<b>Annex A (configuration instructions).....</b>	<b>16-1</b>
16.1	Systems.....	16-1
16.2	Functions of the heating circuit .....	16-40
16.2.1	Outdoor-temperature-compensated control .....	16-40
16.2.1.1	Outdoor temperature received or sent as 0 to 10 V signal.....	16-41
16.2.1.2	Gradient characteristic .....	16-42
16.2.1.3	Four-point characteristic .....	16-44
16.2.2	Fixed set point control.....	16-45

16.2.3	Underfloor heating/drying of jointless floors .....	16-46
16.2.4	Night set-back .....	16-47
16.2.4.1	Outdoor temperature for continuous day mode .....	16-48
16.2.4.2	Variable night set-back .....	16-48
16.2.5	Buffer tank systems Anl 16.x .....	16-49
16.2.6	Summer mode .....	16-51
16.2.7	Delayed outdoor temperature adaptation .....	16-52
16.2.8	Remote operation .....	16-52
16.2.9	Optimization .....	16-53
16.2.10	Flash adaptation .....	16-54
16.2.11	Flash adaptation without outdoor sensor (based on room temperature) .....	16-55
16.2.12	Adaptation .....	16-55
16.2.13	Cooling control .....	16-56
16.2.14	Differential temperature control .....	16-58
16.3	Functions of the DHW circuit .....	16-59
16.3.1	DHW heating in the storage tank system .....	16-59
16.3.1.1	DHW circuit additionally controlled by a globe valve .....	16-62
16.3.2	DHW heating in the storage tank charging system .....	16-63
16.3.2.1	Cold charging protection .....	16-65
16.3.3	DHW heating in instantaneous heating system .....	16-66
16.3.4	Domestic hot water heating with solar system .....	16-67
16.3.5	Intermediate heating .....	16-67
16.3.6	Parallel pump operation .....	16-68
16.3.7	Circulation pump during storage tank charging .....	16-68
16.3.8	Priority circuit .....	16-69
16.3.8.1	Reverse control .....	16-69
16.3.8.2	Set-back operation .....	16-70
16.3.9	Forced charging of DHW storage tank .....	16-70
16.3.10	Thermal disinfection of DHW storage tank .....	16-71
16.4	System-wide functions .....	16-72
16.4.1	Automatic summer/standard time switchover .....	16-72
16.4.2	Frost protection .....	16-73
16.4.3	Forced pump operation .....	16-73
16.4.4	Return flow temperature limitation .....	16-74
16.4.5	Condensate accumulation control .....	16-75
16.4.6	Three-step control .....	16-76
16.4.7	On/off control .....	16-76
16.4.8	Continuous control .....	16-77

## Contents

16.4.9	Releasing a control circuit/controller with binary input.....	16-77
16.4.10	Speed control of the charging pump.....	16-78
16.4.11	External demand processing.....	16-79
16.4.12	External demand using a 0 to 10 V signal.....	16-80
16.4.13	Capacity limitation in Rk1.....	16-81
16.4.14	Creep feed rate limitation with a binary input.....	16-82
16.4.15	Connecting potentiometers for valve position input.....	16-82
16.4.16	Locking manual level.....	16-83
16.4.17	Locking the rotary switch.....	16-83
16.4.18	Feeder pump operation.....	16-83
16.4.19	External demand for heat due to insufficient heat supply.....	16-83
16.5	Communication.....	16-84
16.5.1	RS-485 communication module.....	16-84
16.5.2	Meter bus.....	16-85
16.5.2.1	Activating the meter bus.....	16-86
16.5.2.2	Flow rate and/or capacity limitation with meter bus.....	16-87
16.5.3	Memory module/mini module.....	16-89
16.5.4	Data logging.....	16-91
16.6	Function block lists.....	16-93
16.7	Parameter lists.....	16-106
16.8	Customer-specific data.....	16-112
<b>17</b>	<b>Annex B.....</b>	<b>17-1</b>
17.1	Accessories.....	17-1
17.2	After-sales service.....	17-2

# 1 Safety instructions and measures

## Intended use

The TROVIS 5573-1 Heating and District Heating Controller is used to control up to two control circuits:

- Control of a primary heat exchanger or boiler with one mixing heating circuit and one non-mixing heating circuit (both outdoor-temperature-compensated) and control of DHW heating in the secondary circuit
- Outdoor-temperature-compensated buffer storage tank control with solid fuel boiler and solar circuit control
- Control of one outdoor-temperature-compensated heating circuit and a DHW heating with two valves in the primary circuit
- Control of two outdoor-temperature-compensated heating circuits with two valves in the primary circuit

The heating controller is designed to operate under exactly defined conditions. Therefore, operators must ensure that the heating controller is only used in operating conditions that meet the specifications used at the ordering stage. In case operators intend to use the heating and district heating controller in applications or conditions other than those specified, contact SAMSON.

SAMSON does not assume any liability for damage resulting from the failure to use the device for its intended purpose or for damage caused by external forces or any other external factors.

→ Refer to the technical data for limits and fields of application as well as possible uses.

## Reasonably foreseeable misuse

The heating controller is not suitable for the following applications:

- Use outside the limits defined during sizing and by the technical data

Furthermore, the following activities do not comply with the intended use:

- Use of non-original spare parts
- Performing service and repair work not described

## **Safety instructions and measures**

### **Qualifications of operating personnel**

The controller must be mounted, started up, serviced and repaired by fully trained and qualified personnel only; the accepted industry codes and practices must be observed. According to these mounting and operating instructions, trained personnel refers to individuals who are able to judge the work they are assigned to and recognize possible hazards due to their specialized training, their knowledge and experience as well as their knowledge of the applicable standards.

### **Personal protective equipment**

No personal protective equipment is required for the direct handling of the controller.

### **Revisions and other modifications**

Revisions, conversions or other modifications of the product are not authorized by SAMSON. They are performed at the user's own risk and may lead to safety hazards, for example. Furthermore, the product may no longer meet the requirements for its intended use.

### **Warning against residual hazards**

The controller has direct influence on controlled components of the heating system (e.g. control valves and pumps). To avoid personal injury or property damage, plant operators and operating personnel must prevent hazards that could be caused in the plant components by the process medium, the operating pressure, the signal pressure or by moving parts by taking appropriate precautions. Plant operators and operating personnel must observe all hazard statements, warnings and caution notes in the referenced documents.

### **Responsibilities of the operator**

Operators are responsible for proper use and compliance with the safety regulations. Operators are obliged to provide these mounting and operating instructions as well as the referenced documents to the operating personnel and to instruct them in proper operation. Furthermore, operators must ensure that operating personnel or third parties are not exposed to any danger.

### **Responsibilities of operating personnel**

Operating personnel must read and understand these mounting and operating instructions as well as the referenced documents and observe the specified hazard statements, warnings and caution notes. Furthermore, operating personnel must be familiar with the applicable health, safety and accident prevention regulations and comply with them.



### Referenced standards, directives and regulations

The TROVIS 5573-1 Heating and District Heating Controller with a CE marking fulfills the requirements of the Directives 2014/30/EU, 2014/35/EU and 2011/65/EU. The declaration of conformity includes information about the applied conformity assessment procedure.

The TROVIS 5573-1 Heating and District Heating Controller with an EAC marking fulfills the requirements of the Regulations TR CU 004/2011 and TR CU 020/2011.

The 'Certificates' section contains this declaration of conformity and TR CU certificate.

The heating controller is designed for use in low voltage installations.

→ For wiring, maintenance and repair, observe the relevant safety regulations.

## 1.1 Notes on possible severe personal injury

### DANGER

**Risk of fatal injury due to electric shock.**

- Before connecting wiring, performing any work on the controller or opening the controller, disconnect the supply voltage and protect it against unintentional reconnection.
- Only use power interruption devices that can be protected against unintentional reconnection of the power supply.
- Do not remove any covers to perform adjustment work on live parts.

## 1.2 Notes on possible property damage

### NOTICE

**Risk of damage to the controller due to the supply voltage exceeding the permissible tolerances.**

The controller is designed for use in low voltage installations.

- Observe the permissible tolerances of the supply voltage.

**Malfunction due to a configuration that does not meet the requirements of the application.**

The controller is configured for specific applications by setting functions and parameters. Function and parameter settings have a direct effect on final control elements.

- Perform the configuration for the specific application.

## Safety instructions and measures

### **Manipulation of the configuration due to unauthorized access.**

The controller can be protected against unauthorized access through entering a key number. The key number for first start-up can be found at the back of these mounting and operating instructions.

- Do not pass the key number on to unauthorized persons. Keep it in a safe place inaccessible to unauthorized persons.

### **Risk of controller damage due to large differences in temperature.**

- Before start-up, wait until the controller has reached the ambient temperature.

### **System damage caused by frost.**

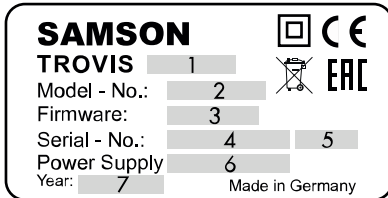
Frost protection is deactivated in the manual mode.

- Do not run the heating during cold weather in the manual mode for long periods of time.

## 2 Markings on the device

### 2.1 Nameplate

The nameplate shown was up to date at the time of publication of this document. The nameplate on the device may differ from the one shown.



- 1 Type designation
- 2 Model number
- 3 Firmware version
- 4 Serial number
- 5 Fuse protection
- 6 Supply voltage
- 7 Date of manufacture

### 2.2 Device version

The TROVIS 5573-1 Heating and District Heating Controller is available in various versions. The type designation on the nameplate indicates the controller version:

Type designation (nameplate)	Version
TROVIS 5573-100x	Heating and district heating controller with plain-text readings on a graphics display
TROVIS 5573-110x	Heating and district heating controller with graphics display and M-bus interface for three M-bus units

These mounting and operating instructions are valid for both controller versions.

### 2.3 Firmware versions

Firmware revisions	
Old	New
2.20	2.24
	Internal revisions
2.24	2.26
	New function: <b>Error message</b> (CO5 -> F07)
	Function <b>OT with 0-10 V</b> (CO5 -> F23) extended Outdoor temperatures can be received or sent using a 0 to 10 V signal.
2.26	2.28
	New system Anl 11.5
	Alarm and event lists each with the last 100 entries
2.28	2.30
	It is possible to connect PTC or Ni1000 sensors (Pt1000 sensors only possible below this firmware version)
2.30	2.41
	Connected sensor inputs not relevant for closed-loop control are displayed on the 'Special values' screen in the controller's operating level (see the 'Start-up and configuration' section).
	New <b>functions and parameters for buffer tank systems</b> . See Annex A (configuration instructions). <ul style="list-style-type: none"> <li>- CO1 -&gt; F22: SLP depending on return flow temperature</li> <li>- CO5 -&gt; F25: AA1 reverse</li> <li>- CO5 -&gt; F31: AE1 zero shift</li> <li>- PA1 -&gt; P16: Minimum set point to charge buffer tank</li> <li>- PA1 -&gt; P17: Stop charging of the buffer tank</li> <li>- PA1 -&gt; P18: Charging temperature boost</li> <li>- PA1 -&gt; P19: Lag time of charging pump</li> </ul>
	New <b>differential temperature control</b> function (CO1 -> F23) in systems Anl 1.0 and 16.0. See Annex A (configuration instructions).
	TROVIS 5570 Room Panel no longer available.
	Restrictions when a mini module (order no. 1400-7436) is used. See Annex A (configuration instructions).
2.41	2.45
	An active <b>cold charging protection</b> function allows the valve position to be determined between 1 and 100 % (default 10 %).

Firmware revisions	
Old	New
2.45	<b>2.48</b>
	Internal revisions
2.48	<b>2.51</b>
	Operating status reading of DHW circuit in the operating level
	Only the values that are not assigned to a partial system scheme are shown the overall system scheme: this now includes the demand to be processed.
	Meaning of CO1, CO2 -> F02 changed F02 - 1 = Outdoor-temperature-controlled control active
	Buffer tank systems: the measured value SF1 is now also relevant to end charging
	Discharging protection for DHW tank and buffer tank
	Separate boost adjustable for underfloor heating circuits
	No restart, instead the drying of jointless floors continues after a power supply failure
	Heating circuits can be configured to be circuits only processing demand with the settings CO1 -> F24 - 1, CO2 -> F24 - 1
	Transmission range setting for 0 to 10 V signal to process external demand changed to CO5 -> F31
	Default setting of heating characteristic 1.2 (0.5 for underfloor heating)
	Default setting of the maximum flow temperature: 70 °C
	Delayed outdoor temperature adaptation adjustable in steps of 0.1 °C
	TROVIS 5573-11 only: Return flow temperature limitation based on capacity configurable
Default setting of heat meter mode: 'Continuous'	
2.51	<b>2.60</b>
	New function <b>Variable night set-back</b> can be configured separately for each heating circuit (setting: CO1, CO2 -> F28 - 1)
	Function blocks CO1 -> F27 and CO4 -> F27 introduced to activate the discharging protection
	Storage tank bottom sensor RüF2 can be configured as sensor to switch off the thermal disinfection (setting: CO4 -> F24 - 1)
	Free assignment of analog output: the CO5 -> F34 setting is used to determine which output signal is to be issued at the 0 to 10 V output.
	The value of the 0 to 10 V output is set to 0 to 100 % in the "AA1" option in the overall system scheme.
	Manual mode: the 0 to 10 V output is always available when "AA1" is selected.

## Markings on the device

Firmware revisions	
Old	New
2.60	2.61
	Internal revisions
	Parameter names changed
2.61	2.62
	Internal revisions
2.62	2.63
	New option configurable: 3 V supply for analog outputs

### 3 Design and principle of operation

The TROVIS 5573-1 Heating and District Heating Controller is used to control up to two control circuits:

- Control of a primary heat exchanger or boiler with one mixing heating circuit and one non-mixing heating circuit (both outdoor-temperature-compensated) and control of DHW heating in the secondary circuit
- Outdoor-temperature-compensated buffer storage tank control with solid fuel boiler and solar circuit control
- Control of one outdoor-temperature-compensated heating circuit and a DHW heating with two valves in the primary circuit
- Control of two outdoor-temperature-compensated heating circuits with two valves in the primary circuit

The TROVIS 5573-1 Heating and District Heating Controller is adapted to the specific system by setting the appropriate system code number. Additional sensors and/or functions which are not part of the system's basic configuration can be selected over function blocks. The switch positions and entry of the key number allow access to the corresponding levels. For trained staff, the configuration levels used to set function blocks are indicated by "CO" and the parameter levels are indicated by "PA". Data is retrieved and entered at the controller using a rotary pushbutton. This process is facilitated by icons and plain text displayed

on the LCD. The rotary switch is used to set the operating mode and the parameters required for each circuit.

#### Meter bus interface (TROVIS 5573-110x only)

A maximum of three meters conforming to EN 1434-3 can be connected for data transfer. In addition, heat meters for each control circuit are available for flow rate and/or capacity limitation. Various limits can be adjusted for the different operating modes "Heating control only", "Heating control with DHW heating" and "DHW heating only" in control circuit Rk1. Outdoor-temperature-compensated flow rate or capacity limitation can also be implemented.

### 3.1 Configuration using TROVIS-VIEW

The controller can be configured with the TROVIS-VIEW software.

In this case, the TROVIS 5573-1 Heating and District Heating Controller is connected to the computer at the RJ-45 jack on the side of the controller.

The TROVIS-VIEW software enables the user to easily configure the controller as well as view process parameters online.

---

### **i Note**

TROVIS-VIEW provides a uniform user interface that allows users to configure and parameterize various SAMSON devices using device-specific database modules. The device module 5573-1 can be downloaded free of charge from our website at

▶ [www.samsongroup.com](http://www.samsongroup.com) > DOWNLOADS > Software & Drivers > TROVIS-VIEW.

Further information on TROVIS-VIEW (e.g. system requirements) is available on our website and in the Data Sheet ▶ T 6661.

---

---

### **i Note**

SAM DISTRICT ENERGY is a web-based solution for managing, controlling and optimizing heating systems in the local heat supply and district heating networks. You can find more information and test SAM DISTRICT ENERGY using a demo account on our website at ▶ [www.samsongroup.com](http://www.samsongroup.com) > PRODUCTS > Digital solutions > SAM DISTRICT ENERGY.

---

## 3.2 Connection to SAM DISTRICT ENERGY


The controller can be configured and operated on a computer, smartphone or tablet computer using the SAM DISTRICT ENERGY industry-specific application.

The controller is connected to SAM DISTRICT ENERGY over the Modbus interface using a communication gateway.

SAM DISTRICT ENERGY allows remote start-up and set-up of the controllers. Key information of the controller and entire heating system is clearly visualized at one central location.



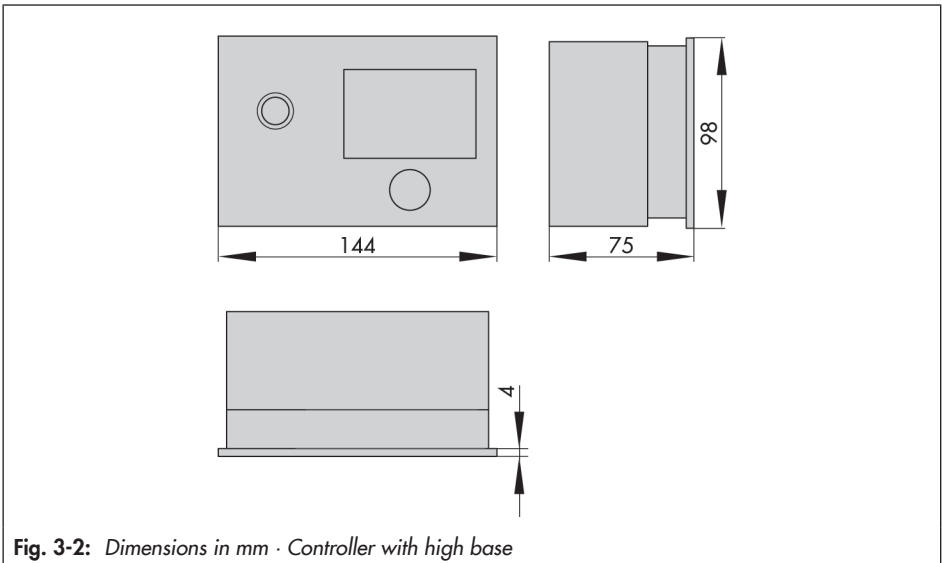
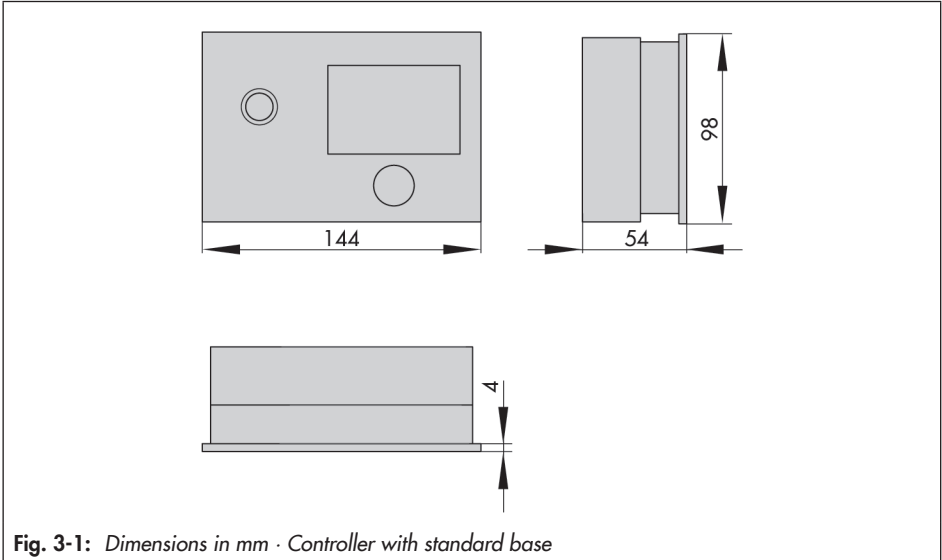
### 3.3 Technical data

Inputs	8x inputs for Pt 1000, PTC or Ni 1000 temperature sensors and 2x binary inputs, terminal 11 as 0 to 10 V input (e.g. for external demand or outdoor temperature signal)
Outputs <sup>1)</sup>	2x three-step signal: rating max. 250 V AC, 2 A; Alternatively 2x on/off signal: rating max. 250 V AC, 2 A 3x pump output: rating max. 250 V AC, 2 A <sup>1)</sup> ; All outputs are relay outputs with varistor suppression Terminal 11 as 0 to 10 V output (e.g. for continuous closed loop control, outdoor temperature, signal for external demand or pump speed control), load >5 k $\Omega$
Interfaces (TROVIS 5573-110x only)	M-bus for up to three M-bus units, protocol according to EN 1434-3
Optional interfaces	1x Modbus RS-485 interface for two-wire bus using RS-485 communication module (Modbus RTU protocol, data format 8-N-1, RJ-45 connector socket at the side)
Supply voltage	85 to 250 V, 48 to 62 Hz
Power consumption	Max. 6 VA, typical: 2.5 VA
Permissible ambient temperature range	0 to 40 °C (operation), -10 to +60 °C (storage and transport)
Degree of protection	IP 40 according to EN 60529
Class of protection	II according to EN 61140
Degree of contamination	2 according to EN 61010-1
Overvoltage category	II according to EN 60664
Noise immunity	According to EN 61000-6-1
Noise emission	According to EN 61000-6-3
Conformity	
Weight	Approx. 0.5 kg

<sup>1)</sup> For systems with one control circuit, a maximum of four pumps are available

### 3.4 Dimensions

Panel cut-out 138 mm x 92 mm (W x H)



### 3.5 Values for resistance thermometers

#### Pt 1000 sensors

Temperature °C	-35	-30	-25	-20	-15	-10	-5	0	+5	+10	+15	+20
Resistance Ω	862.5	882.2	901.9	921.6	941.2	960.9	980.4	1000.0	1019.5	1039.0	1058.5	1077.9

Temperature °C	+25	+30	+35	+40	+45	+50	+55	+60	+65	+70	+75	+80
Resistance Ω	1097.3	1116.7	1136.1	1155.4	1174.7	1194.0	1213.2	1232.4	1251.6	1270.8	1289.9	1309.0

Temperature °C	+85	+90	+95	+100	+105	+110	+115	+120	+125	+130	+135	+140
Resistance Ω	1328.1	1347.1	1366.1	1385.1	1404.0	1422.9	1441.8	1460.7	1479.5	1498.3	1517.1	1535.8

Temperature °C	+145	+150	+155	+160	+165	+170	+175	+180	+185	+190	+195	+200
Resistance Ω	1554.6	1573.3	1591.9	1610.5	1629.1	1647.7	1666.3	1684.8	1703.3	1721.7	1740.2	1758.6

#### PTC sensors

Temperature °C	-20	-10	0	+10	+20	+30	+40	+50
Resistance Ω	693	756	824	896	971	1050	1133	1220

Temperature °C	+60	+70	+80	+90	+100	+110	+120
Resistance Ω	1311	1406	1505	1606	1713	1819	1925

#### Type 5244 (remote control unit)

Switch position ☉, terminals 1 and 2

Temperature °C	10	15	20	25	30
Resistance Ω	679	699	720	741	762

#### Ni 1000 sensors

Temperature °C	-60	-50	-40	-30	-20	-10	0	+10	+20	+30	+40
Resistance Ω	695	743	791	841	893	946	1000	1056	1112	1171	1230

Temperature °C	+50	+60	+70	+80	+90	+100	+110	+120	+130	+140	+150
Resistance Ω	1291	1353	1417	1483	1549	1618	1688	1760	1833	1909	1986

Temperature °C	+160	+170	+180	+190	+200	+210	+220	+230	+240	+250
Resistance Ω	2066	2148	2232	2318	2407	2498	2592	2689	2789	2892



## 4 Shipment and on-site transport

The work described in this section is only to be performed by personnel appropriately qualified to carry out such tasks.

### 4.1 Accepting the delivered goods

After receiving the shipment, proceed as follows:

1. Compare the shipment received with the delivery note.
2. Check the shipment for transportation damage. Report any damage to SAMSON and the forwarding agent (refer to delivery note).

### 4.2 Removing the packaging from the controller

---

**i Note**

*Do not remove the packaging until immediately before mounting and start-up.*

1. Remove the packaging from the controller.
2. Check scope of delivery (see Fig. 4-1).
3. Dispose and recycle the packaging in accordance with the local regulations.

- |    |   |
|----|---|
| 1x | TROVIS 5573-1 Heating and District Heating Controller |
| 1x | Document IP 5573-1 (Important Product Information)    |

**Fig. 4-1:** *Scope of delivery*

### 4.3 Transporting the heating controller

#### Transport instructions

- Protect the controller against external influences (e.g. impact).
- Protect the controller against moisture and dirt.
- Observe transport temperature depending on the permissible ambient temperature (see the 'Design and principle of operation' section).

### 4.4 Storing the controller

---

**! NOTICE**

**Risk of controller damage due to improper storage.**

- ➔ *Observe the storage instructions.*
- ➔ *Avoid long storage times.*
- ➔ *Contact SAMSON in case of different storage conditions.*

---

**i Note**

*We recommend to regularly check the controller and the prevailing storage conditions during long storage periods.*

---

## Shipment and on-site transport

### Storage instructions

- Protect the controller against external influences (e.g. impact).
- Protect the controller against moisture and dirt. Store it at a relative humidity of less than 75 %. In damp spaces, prevent condensation. If necessary, use a drying agent or heating.
- Make sure that the ambient air is free of acids or other corrosive media.
- Observe transport temperature depending on the permissible ambient temperature (see the 'Design and principle of operation' section).
- Do not place any objects on the controller.

## 5 Installation

The work described in this section is to be performed only by personnel appropriately qualified to carry out such tasks.

### 5.1 Installation conditions

#### Work position

The work position for the controller is the front view onto the operating controls on the controller seen from the position of operating personnel.

Operators must ensure that, after installation of the controller, the operating personnel can perform all necessary work safely and easily access the device from the work position.

### 5.2 Preparation for installation

Before installation, make sure the following conditions are met:

- The controller is not damaged.

Proceed as follows:

- ➔ Lay out the necessary material and tools to have them ready during installation work.

### 5.3 Mounting the controller

The controller consists of the housing with the electronics and the base with the terminals. It is suitable for panel, wall and rail mounting (see Fig. 5-1).

#### Panel mounting

1. Undo the two screws (1).

2. Pull apart the controller housing and the base.
3. Make panel cut-out with the dimensions 138x92 mm (WxH).
4. Push the controller housing through the panel cut-out.
5. Tighten the two screws (2) to clamp the controller housing against the control panel.
6. Perform electric wiring on the base as described in section 5.4.
7. Remount the controller housing.
8. Tighten the two screws (1).

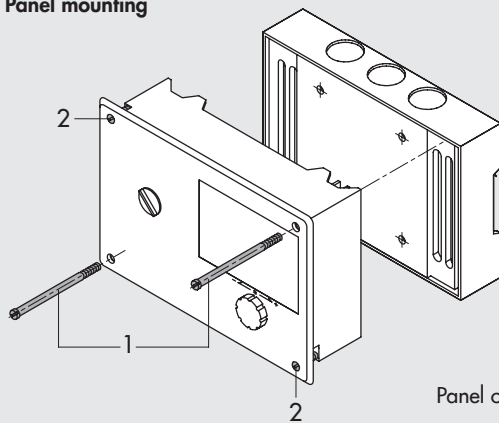
#### Wall mounting

1. Undo the two screws (1).
2. Pull apart the controller housing and the base.
3. If necessary, drill holes with the specified dimensions in the appropriate places. Fasten the base with four screws.
4. Perform electric wiring on the base as described in section 5.4.
5. Remount the controller housing.
6. Tighten the two screws (1).

#### Rail mounting

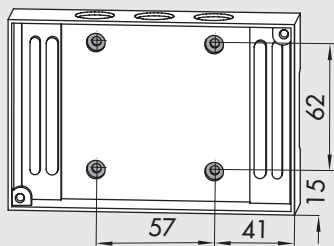
1. Fasten the spring-loaded hook (4) at the bottom of the top hat rail (3).
2. Slightly push the controller upwards and pull the top hook (5) over the top hat rail. Undo the two screws (1).
3. Pull apart the controller housing and the base.

Panel mounting



Panel cut-out 138 x 92

Wall mounting



Rail mounting

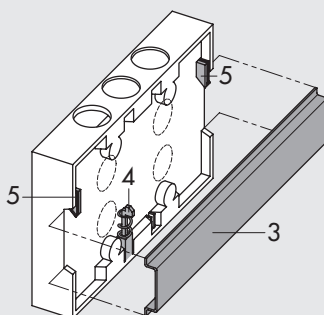


Fig. 5-1: Dimensions in mm



4. Perform electric wiring on the base as described in section 5.4.
5. Remount the controller housing.
6. Tighten the two screws (1).

## 5.4 Electrical connection

### **⚠ DANGER**

#### **Risk of fatal injury due to electric shock.**

- For electrical installation, you are required to observe the relevant electrotechnical regulations of the country of use as well as the regulations of the local power suppliers. Therefore, such work must be performed by trained and experienced personnel.
- The terminals 20, 22, 25 and 28 allow the integration of safety equipment which have a direct influence on individual electric actuators and pumps. If this is not the case, connect a jumper from terminal 18 to terminals 20, 22, 25 and 28.
- Do not connect ELV cables (according to VDE 0100) to these terminals.
- Before performing any work on the terminals, disconnect the voltage supply from the heating controller.

#### **Notes on electric wiring**

- Install the 230 V power supply lines and the signal lines separately and away from each other.
- To increase immunity, keep a minimum distance of 10 cm between the lines. Make sure the minimum distance is also

kept when the lines are installed in a cabinet.

- Install the lines for digital signals (bus lines) and analog signals (sensor lines, analog outputs) separately and away from each other.
- In plants with a high electromagnetic noise level, we recommend using shielded cables for the analog signals.
- Ground the shield at one side, either at the control cabinet inlet or outlet, using the largest possible cross-section. Connect the central grounding point and the PE grounding conductor with a cable with at least 10 mm<sup>2</sup> wire cross-section using the shortest route.
- Inductances in the control cabinet, e.g. contactor coils, must be equipped with suitable interference suppressors (RC elements).
- Shield control cabinet elements with high field strength, e.g. transformers or frequency converters, with separators providing a good connection to the PE grounding conductor.
- Use wires with wire cross-sections as listed in Table 5-1 for terminals.

## Installation

### Overvoltage protection

- If signal lines are installed outside buildings or over large distances, make sure appropriate surge or overvoltage protection measures are taken. Such measures are indispensable for bus lines.
- The shield of signal lines installed outside buildings must have current conducting capacity and must be grounded on both sides.
- Surge diverters must be installed at the control cabinet inlet.

### Connecting the heating controller

- If the controller housing and the base have not yet been separated: unscrew the screws on the bottom left and top right of the housing to open it to connect the wiring.
- To feed through cables, make holes in the marked locations at the top, bottom or back of the base of the housing and fit suitable grommets or cable glands.
- For wall mounting: ensure that the lines are not subject to torsion or bending by taking suitable precautions, e.g. a cable duct, before inserting them into the base.
- Connect as shown in Fig. 5-2 or Fig. 5-3.

### Connecting sensors

The wire cross-section of the sensor cables must not be smaller than 0.5 mm<sup>2</sup>.

### Wiring of a room panel

- Connect as shown in Fig. 5-4.

### Connecting the water flow sensor

- Connect as shown in Fig. 5-5.

### Connecting actuators

- 0 to 10 V control output: use cables with a minimum wire cross-section of 0.5 mm<sup>2</sup>.
- Three-step or on/off outputs: connect cables with at least 1.5 mm<sup>2</sup> suitable for damp locations to the terminals of the controller output. We recommend checking the operating direction on start-up.

### Connecting pumps

Connect all cables with a minimum 1.5 mm<sup>2</sup> wire cross-section to the terminals of the heating controller as illustrated in the wiring diagram.

---

#### **i Note**

*The electric actuators and pumps are not automatically supplied with a voltage by the controller. They can be connected over terminals 20, 22, 25 and 28 to an external voltage supply. For an internal power supply, place a jumper from terminal 18 to terminals 20, 22, 25 and 28.*

---

---

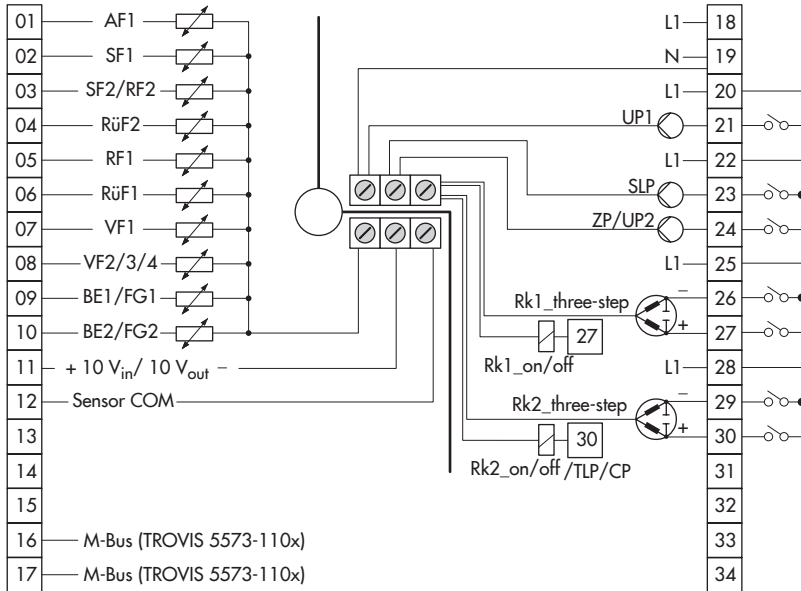
**⚠ DANGER**

**Risk of fatal injury as a result of failing to observe the permissible touch voltage.**

Separation of the circuits is absolutely essential when SELV equipment is connected to terminals 20, 22, 25 and 28 as this equipment has a different intended use of the supply voltage than specified in the technical data (230 V AC).

The creepage and clearance present in the base and controller do not guarantee the required dielectric strength and the safe separation of the 230 V supply voltage and the other circuits.

- ➔ Take appropriate safety precautions (e.g. by using coupling relays for the control of electric actuators operated with 24 V or for ELV fault signaling contacts).
  - ➔ Only connect 230 V equipment.
-



- AF Outdoor sensor
- BE Binary input
- FG Potentiometer
- RF Room sensor
- RüF Return flow sensor
- SF Storage tank sensor
- VF Flow sensor

- CP Solar circuit pump
- RK Control circuit
- UP Circulation pump (heating)
- SLP Storage tank charging pump
- TLP Heat exchanger charging pump
- ZP Circulation pump (DHW)

Fig. 5-2: Connection of TROVIS 5573 Controller with standard base

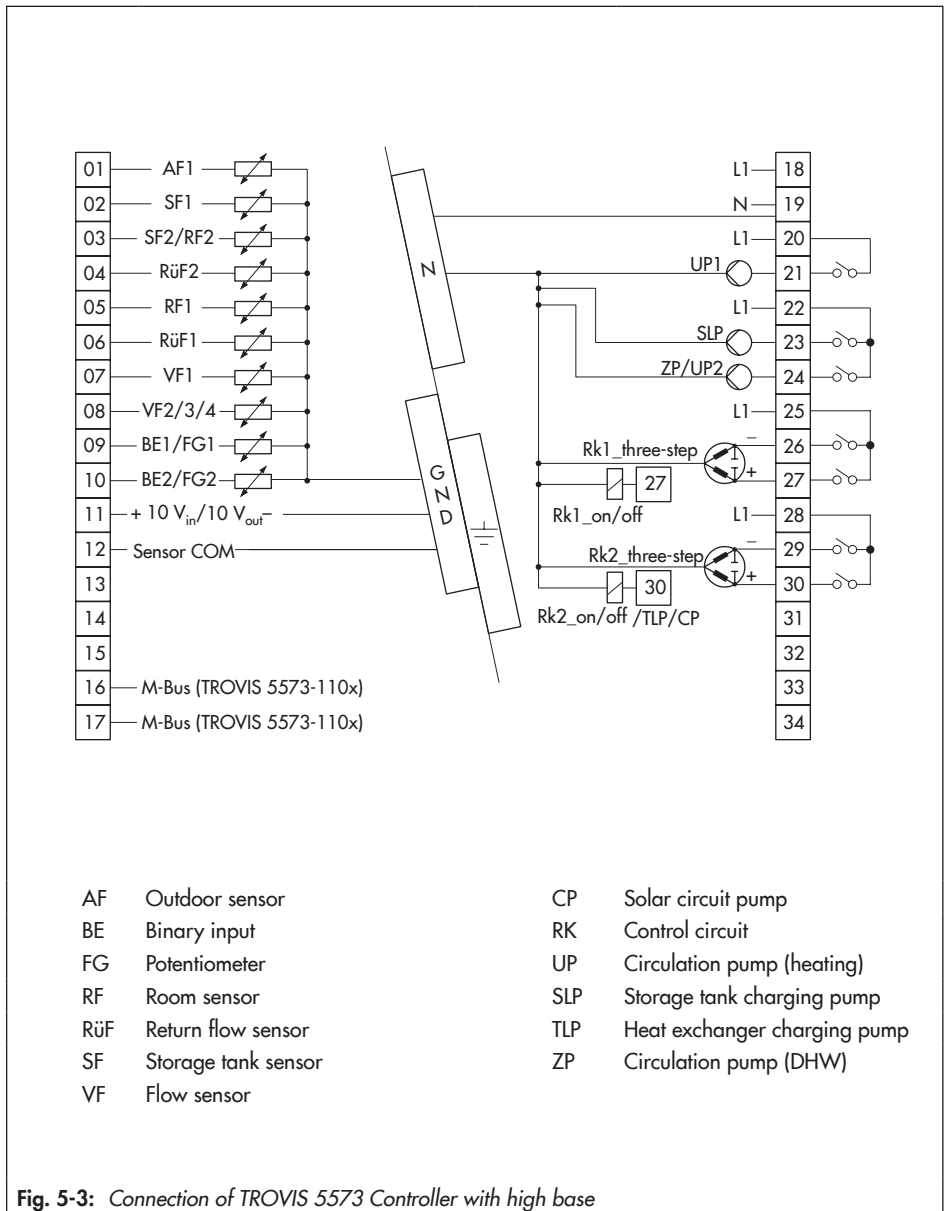
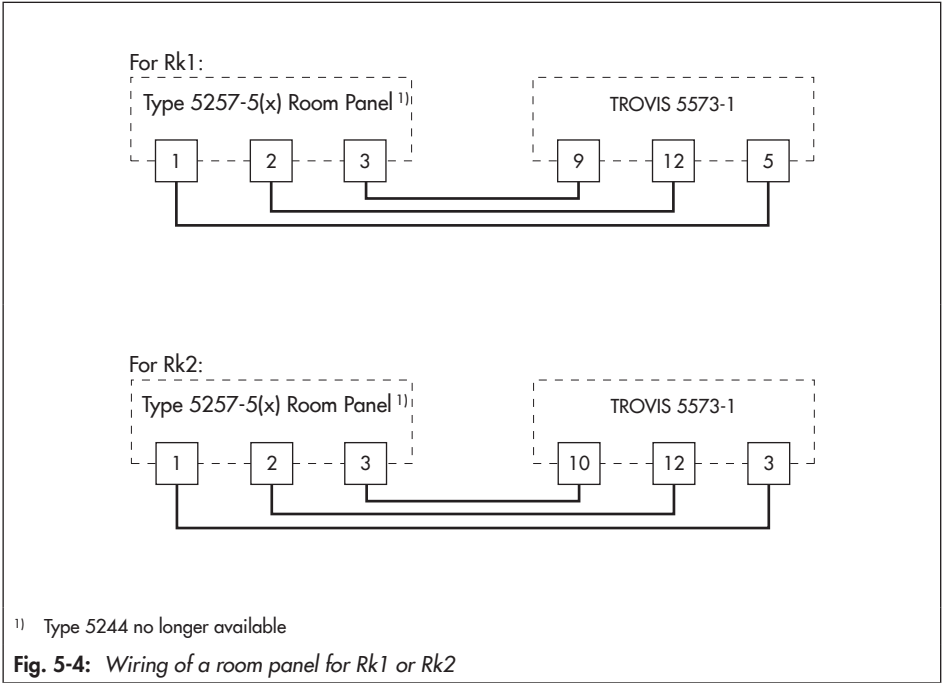


Fig. 5-3: Connection of TROVIS 5573 Controller with high base



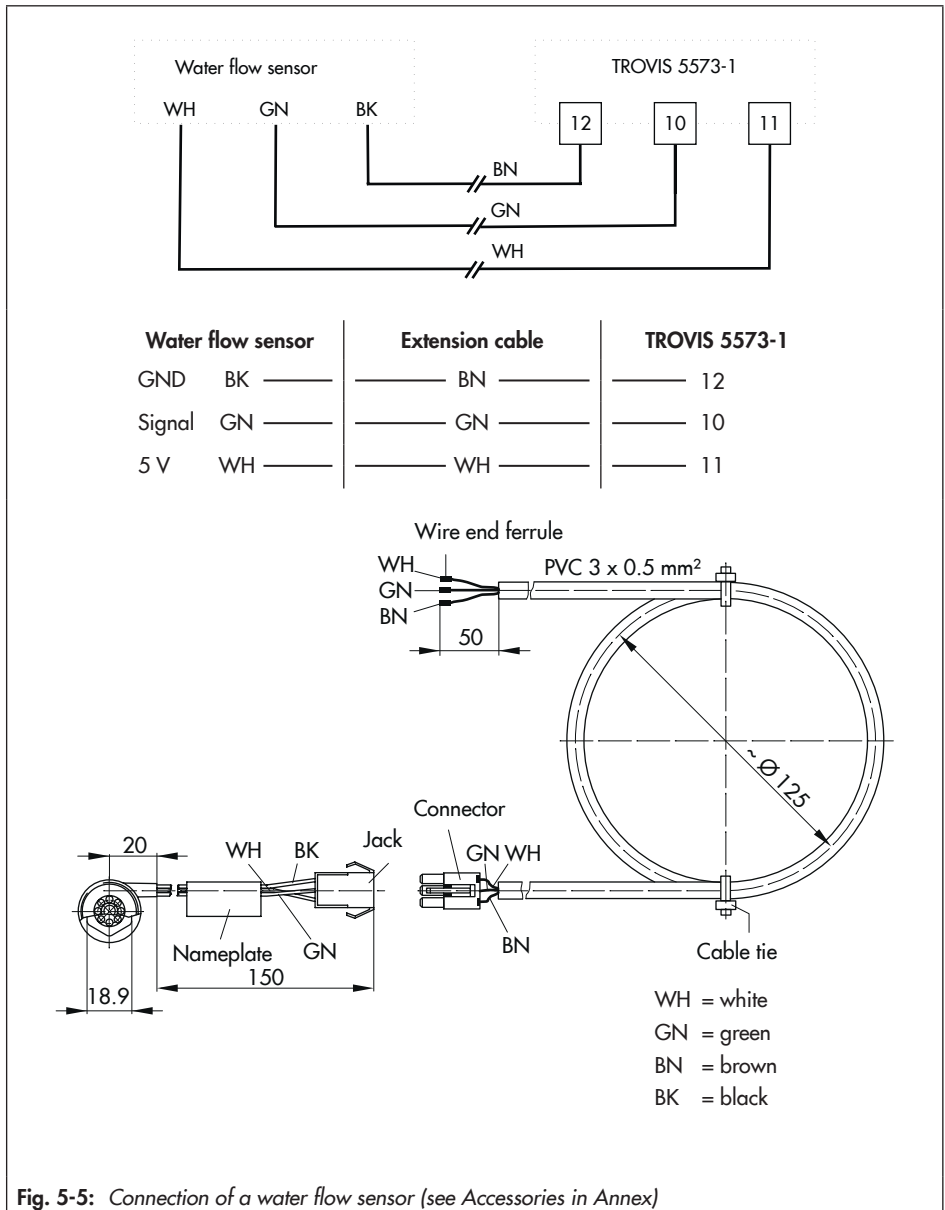


Fig. 5-5: Connection of a water flow sensor (see Accessories in Annex)

**NOTICE**

*A flow rate measurement is not performed when the wrong model of the water flow sensor is used.*

→ *Only use the sensor model specified in the Annex.*

---

**Table 5-1:** *Permissible wire cross-section for terminals*

Cable	Wire cross-section
Single-wire	0.33 to 2 mm <sup>2</sup>
Multi-wire	0.33 to 2 mm <sup>2</sup>

Length of insulation to be stripped off wire ends: 6 mm



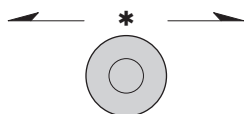
## 6 Operation

The controller is operated on site using the operating controls on the front.

### 6.1 Operating controls

The operating controls are located in the front panel of the heating controller.

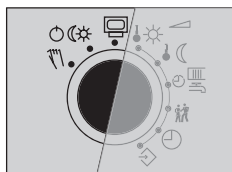
#### Rotary pushbutton



- Turn [↻]:  
Select readings, parameters and function blocks
- Press [\*]:  
Confirm adjusted selection or settings

#### Rotary switch

The rotary switch is used to set the operating mode and the relevant parameters for each control circuit.



- Operating level
- Operating modes
- Manual level



- Day set point (rated room temperature)
- Night set point (reduced room temperature)
- Times-of-use for heating/DHW
- Special time-of-use
- Time/date
- Settings

## 6.2 Interfaces

### 6.2.1 Meter bus interface (TROVIS 5573-11 only)

Data transmission of up to three meters according to EN 1434-3. See Annex A (configuration instructions).

### 6.2.2 Optional interfaces

#### Two-wire bus system

The optional RS-485 communication module (order no. 8812-2002) is required to connect the controller to a two-wire bus network for Modbus RTU communication with a process control system.

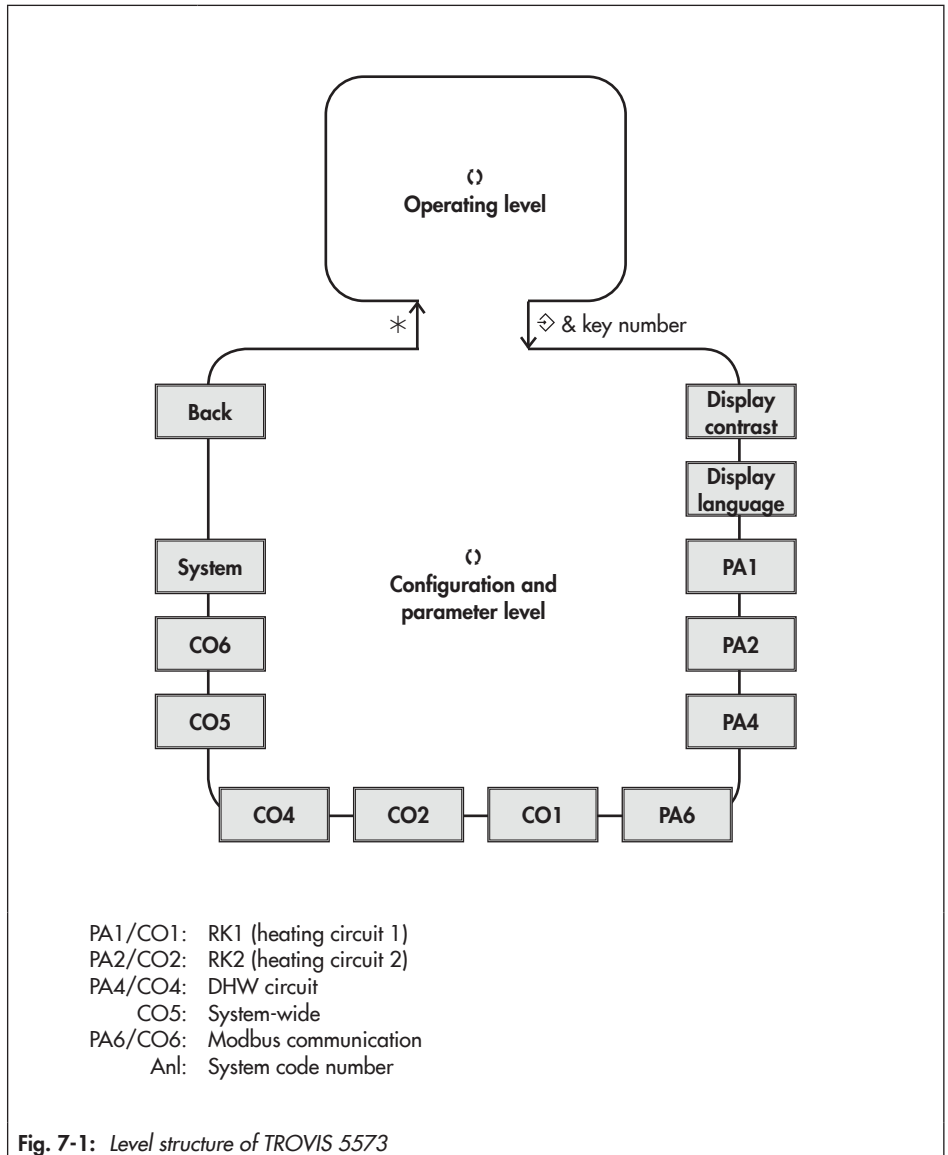
#### Modbus-TCP/IP communication and SAM DISTRICT ENERGY web application

The SAM MOBILE, SAM LAN or SAM HOME Gateway is required for Modbus-TCP/IP communication and for connection to the SAM DISTRICT ENERGY web application.

### 6.2.3 Accessories

Memory module	Order no. 1400-9379
Mini module	Order no. 1400-7436
Data logging module	Order no. 1400-9378
USB converter 3 together with data log viewer software	Order no. 1400-9377
TROVIS-VIEW software (free of charge)	Link to download at: ► <a href="http://www.samsunggroup.com">www.samsunggroup.com</a> > DOWNLOADS > Software & Drivers > TROVIS-VIEW
4-port bus hub	Order no. 1400-7140
RS-485 communication module	Order no. 8812-2002
Surge arrester SA 5000	Order no. 1400-9868
► SAM HOME Gateway for communication over Ethernet	Type 5660
► SAM MOBILE Gateway for communication using mobile phone networks	Type 5655
► SAM-LAN Gateway for communication using unlicensed radio frequency bands	Type 5650

## 7 Start-up and configuration



## Start-up and configuration

The work described in this section is only to be performed by personnel appropriately qualified to carry out such tasks.

Before start-up, make sure the following conditions are met:

- The heating controller is properly mounted according to the instructions.
- The electrical connection is properly performed.

The heating controller is adapted to its control task by performing start-up. Start-up usually involves performing several steps:

1. Change the contrast of the display to adapt it to the installation conditions (see section 7.1).
2. Change the display language as required for the operating personnel (see section 7.2).
3. Select the hydraulic system (see section 7.3).
4. Change functions and parameters to adapt the system (see sections 7.4 and 7.5).
5. Calibrate the sensors (see section 7.6).

The modifications of the controller configuration and parameter settings described in this section can only be performed after the valid key number has been entered.

The key number that is valid on first start-up can be found on one of the back pages of these mounting and operating instructions. To avoid unauthorized use of the service key number, remove the page or make the key number unreadable. In addition, it is possible to enter a new, customized key number (see section 7.7).

### 7.1 Altering the display contrast

The contrast of the display can be changed to adapt it to the installation conditions.

Settings	
Display contrast	50
Display language	English
PA1	
PA4	
Contrast setting of display	

Turn the rotary switch to  (settings).

 Enter the currently valid key number.

\* Confirm key number.

 Select 'Display contrast'.

\* Activate editing mode for the display contrast.

The current setting is shown inverted on the display.

 Set the display contrast

\* Confirm setting.

Turn the rotary switch back to  (operating level).

## 7.2 Changing the display language

The default display language is German. After additional language files have been downloaded onto the controller, the display language can be changed as follows:

<b>Settings</b>	
Display contrast	50
Display language	English
PA1	
PA4	
Open display language menu	

Turn the rotary switch to  $\diamond$  (settings).

↻ Enter the currently valid key number.

\* Confirm key number.

↻ Select 'Display language'.

\* Activate editing mode for the language setting.  
The currently valid language is selected.

↻ Change the language setting accordingly.

\* Confirm setting.

Turn the rotary switch back to  $\square$  (operating level).

## 7.3 Setting the system code number

Different hydraulic schematics are available. Each hydraulic schematic is represented by a system code number. The systems together with their ready-configured functions are shown in Annex A (configuration instructions). A system is adapted to individual requirements by setting the functions and parameters. Changing the system code number resets previously adjusted function blocks to their default settings (WE). Function block parameters and parameter level settings remain unchanged. The system code number is set in the configuration and parameter level.

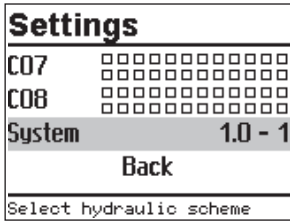
<b>Key number</b>
<b>0000</b>

Turn the rotary switch to  $\diamond$  (settings).

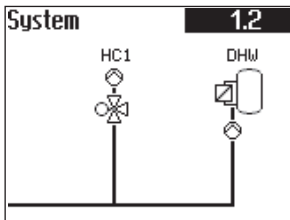
↻ Enter the currently valid key number.

\* Confirm key number.

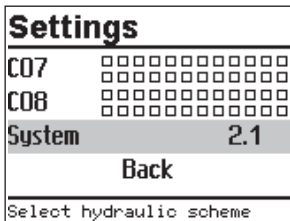
## Start-up and configuration



- ⌚ Select 'System'.
- \* Open 'System'.



- ⌚ Select the required system (see Annex A)

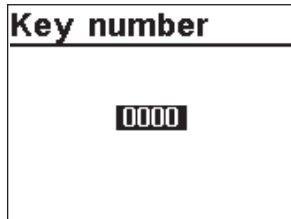


- \* Confirm the system selected.
- ⌚ Select 'Back'.
- \* Exit menu.

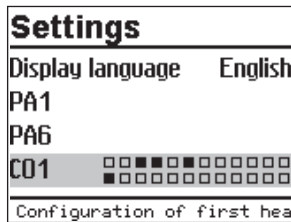
Turn the rotary switch to  (settings).

## 7.4 Activating and deactivating functions

A function is activated or deactivated in the associated function block. Annex A (configuration instructions) contains a detailed description of all functions.



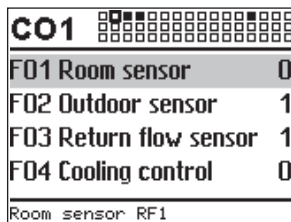
- Turn the rotary switch to  $\diamond$  (settings).
- ↻ Enter the currently valid key number.
- \* Confirm key number.



- ↻ Select the required configuration level:
  - CO1: Heating circuit HC1
  - CO2: Heating circuit HC2
  - CO3: Not applicable
  - CO4: DHW heating
  - CO5: System-wide functions
  - CO6: Modbus communication

Active function blocks are indicated by the black squares.

- ➔ Only those configuration levels are available for selection which can be controlled by the selected system.



- \* Open configuration level.  
The first function block is selected (marked gray).

- ↻ Select the required function.

### Functions without function block parameters:

- \* Activate editing mode for the function.  
The currently active configuration '0' or '1' is shown inverted on the display.
- ↻ Activate function (1) or deactivate function (0).
- \* Confirm configuration.

CO1	▣▣▣▣▣▣▣▣▣▣▣▣▣▣▣▣▣▣▣▣▣▣
F05 Underfloor heating	
F05	1
Start temperature	25.0°C
Hold (days)	0
Underfloor heating/drying	

### Functions with function block parameters:

- \* Open function.
  - ⌂ Select configuration.
- \* Activate editing mode for configuration.  
The currently active configuration '0' or '1' is shown inverted on the display.
  - ⌂ Activate function (1) or deactivate function (0).
- \* Confirm configuration.
  - ⌂ Select function block parameter.
- \* Activate editing mode for function block parameter.  
The current setting is shown inverted on the display.
  - ⌂ Set function block parameter.

Proceed in the same manner to set further function blocks.

CO1	▣▣▣▣▣▣▣▣▣▣▣▣▣▣▣▣▣▣▣▣▣▣
F20 Ext. heat demand	0
F23 Diff. temp. control	0
F24 HC1 only demand pr.	0
Back	
Exit menu	

### Exit configuration level:

- ⌂ Select 'Back'.
- ⌂ Exit configuration level.

To adjust further function blocks in other configuration levels, repeat steps with gray background.

Turn the rotary switch back to  (operating level).

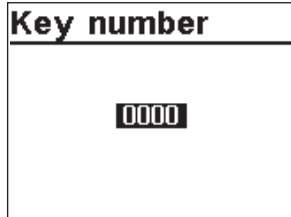
### Note

All function block settings are saved in a non-volatile memory in the controller.



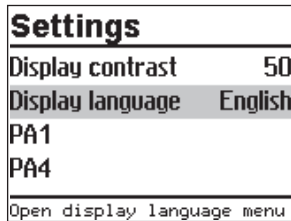
## 7.5 Changing parameters

Depending on the system code number selected and the activated functions, not all parameters might be available. Annex A (configuration instructions) contains a detailed description of all parameters.



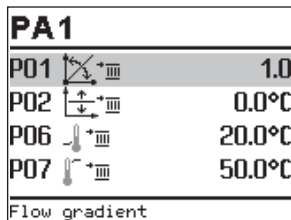
Turn the rotary switch to  $\diamond$  (settings).

- ⌂ Enter the currently valid key number.
- \* Confirm key number.



- ⌂ Select the required parameter level:
  - PA1: Heating circuit HC1
  - PA2: Heating circuit HC2
  - PA3: Not applicable
  - PA4: DHW heating
  - PA5: Not applicable
  - PA6: Modbus communication

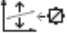
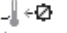

➔ Only those parameter levels are available for selection which can be controlled by the selected system.



- \* Open parameter level.  
The first parameter is selected (marked gray).

- ⌂ Select parameter.
- \* Activate editing mode for the parameter.  
The current setting is shown inverted on the display.

- ⌂ Set the parameter.
- \* Confirm setting.
- \* Proceed in the same manner to change further parameters.

PA1	
P12 	0.0°C
P13 	65.0°C
P14 	65.0°C
Back	
Exit menu	

### Exit parameter level.

- ↶ Select 'Back'.
- ↶ Exit configuration level.

To adjust further function blocks in other configuration levels, repeat steps with gray background.

Turn the rotary switch back to  (operating level).

### **i** Note

All parameter settings are saved in a non-volatile memory in the controller.

## 7.6 Calibrating sensors

The controller is designed for connection of Pt1000, PTC and Ni1000 sensors.

- CO5 -> F01 - 1, F02 - 0: Pt 1000
- CO5 -> F01 - 0, F02 - 0: PTC
- CO5 -> F01 - 1, F02 - 1: Ni 1000

The sensor resistance values are listed in the 'Design and principle of operation' section. If the temperature values displayed at the controller differ from the actual temperatures, the measured values of all connected sensors can be recalibrated. To calibrate a sensor, the currently displayed sensor value must be changed such that it matches the temperature (reference temperature) measured directly at the point of measurement. Sensor calibration is activated in CO5 in F20 function block. An incorrect sensor calibration can be deleted by setting F20 - 0.

Key number
0000

Turn the rotary switch to  (settings).

- ↶ Enter the currently valid key number.
- \* Confirm key number.

Settings	
PA6	
CO1	□□■□□□□□□□□□
CO4	□■□□□□□□□□□□
CO5	□■□□□□□□□□□□
General configuration	

- \* Select CO5 configuration level.
- \* Open CO5 configuration level.
- \* Select function block F20.
- \* Activate editing mode for F20 function block.

CO5	
F16 Rtn flow limit P	0
F19 Monitoring	0
F20 Sensor calibration	
F20	1
Sensor calibration	


- ⌂ Select F20 configuration.
- \* Activate editing mode for configuration.  
The currently active configuration '0' or '1' is shown inverted on the display.
- ⌂ Activate function block ('1').
- \* Confirm activation.

CO5	
F20 Sensor calibration	
F20	1
Terminal1	6.1°C
Terminal2	48.4°C

- \* Select the temperature that you want to calibrate.
- \* Open calibration.  
The temperature is shown inverted on the display.
- \* Correct measured value.  
Read the actual temperature directly from the thermometer at the point of measurement and enter this value as the reference temperature.
- \* Confirm corrected measured value.
- \* Proceed in the same manner to calibrate further sensors.

CO5	
F35 AA2 PWM	0
F36 AA3 PWM	0
F37 AA4 PWM	0
Back	
Exit menu	

**Exit configuration level:**

- ⌂ Select 'Back'.
  - ⌂ Exit configuration level.
- Turn the rotary switch back to  (operating level).

## 7.6.1 Special values

Special values	
0-10 V meas. v.	0.0
Measured v. 2	39.3
Measured v. 3	63.9
Measured v. 8	14.4

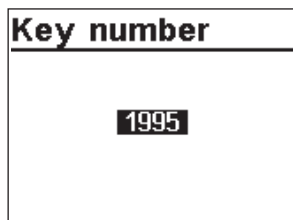
If sensor inputs not relevant for closed-loop control are connected, the 'Special values' screen is automatically displayed in the controller's operating level. A maximum of five measured values (sensor inputs or 0 to 10 V input) can be displayed. These readings are displayed without a unit. '°C' is the unit for all sensor inputs. The value originating from the 0 to 10 V input with the CO5 -> F25 - 1 setting is displayed as a percentage.

### **i** Note

*The measured value number corresponds to the terminal number, e.g. measured value 3 = terminal 3*

## 7.7 Entering customized key number

To prevent the function and parameter settings being changed by unauthorized users, a customized key number can be added to the fixed service key number. You can set the customized key number to be between 0100 and 1900.



Turn the rotary switch to  (settings).

- ⌚ Enter key number 1995.
- \* Confirm key number.
- ⌚ Enter valid key number.
- \* Confirm key number.
- ⌚ Enter customized key number.
- \* Confirm customized key number.  
This number is the new key number.

Turn the rotary switch back to  (operating level).

## 8 Setup

### 8.1 Selecting the operating mode

**Day mode (rated operation):** regardless of the programmed times-of-use and summer mode, the set points relevant for rated operation are used by the controller. Icon: \*\*

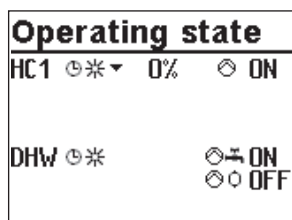
**Night mode (reduced operation):** regardless of the programmed times-of-use, the set points relevant for reduced operation are used by the controller. Icon: ) )

**Control operation deactivated:** regardless of the programmed times-of-use, control operation of the heating circuits and DHW heating remains deactivated. The frost protection is activated, if need be. Icon: ☺☺

Icons when the frost protection is activated: HC ☺ ) , DHW ☺ \*\*

**Automatic mode:** during the programmed times-of-use, the controller works in day mode. Outside these times-of-use, the controller is in night mode, unless control operation is deactivated depending on the outdoor temperature. The controller switches automatically between both operating modes. Icon within the times-of-use: ☺ \*\*, icon outside the times-of-use: ☺ )

**Manual mode:** valves and pumps can be controlled manually. For further details, see section 8.6.

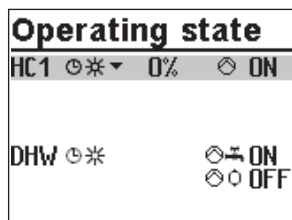


Turn the rotary switch to ☺\*\* (operating modes). The operating states of all system control circuits are displayed:

- Heating circuit HC1
- Heating circuit HC2
- DHW heating

➔ Only those control circuits are available for selection which can be controlled by the selected system.

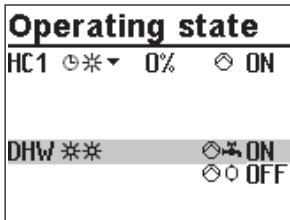
☺ Select the control circuit.



\* Activate editing mode for the control circuit. The operating mode is shown inverted on the display.

☺ Select the operating mode:

- ☺ Automatic mode
- \*\* Day mode
- ) Night mode
- ☺ System deactivated



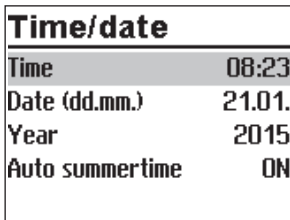
- \* Confirm the operating mode.

## 8.2 Schedules

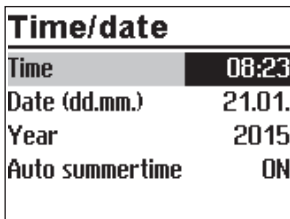
The controller operates according to the schedules in automatic mode.

### 8.2.1 Setting the time and date

The current time and date need to be set immediately after start-up and after a power failure lasting more than 24 hours. This is the case when the time blinks on the display.



Turn the rotary switch to ☺ (time/date). The current time is selected (gray background).



- \* Activate editing mode for the time. The time reading is inverted.
- ☺ Change the time.
- \* Confirm the time setting.

<b>Time/date</b>	
Time	08:44
Date (dd.mm.)	21.01.
Year	2015
Auto summertime	ON

⌘ Select 'Date' (dd.mm) [⌘].

<b>Time/date</b>	
Time	08:44
Date (dd.mm.)	<b>21.01.</b>
Year	2015
Auto summertime	ON

\* Activate editing mode for the date. The date reading is inverted.

⌘ Change date (day.month).

\* Confirm the date setting.

<b>Time/date</b>	
Time	08:45
Date (dd.mm.)	05.02.
Year	2010
Auto summertime	ON

⌘ Select 'Year'.

<b>Time/date</b>	
Time	08:45
Date (dd.mm.)	05.02.
Year	<b>2010</b>
Auto summertime	ON

\* Activate editing mode for the year. The year reading is inverted.


⌘ Change the year.

\* Confirm the year setting.

Deactivate or activate the automatic summer/standard time switchover as required:

Time/date	
Time	08:45
Date (dd.mm.)	05.02.
Year	2015
Auto summertime	ON

Time/date	
Time	08:45
Date (dd.mm.)	05.02.
Year	2015
Auto summertime	ON

- ⌚ Select 'Auto summertime'.
  - \* Activate the editing mode for automatic summer/standard time switchover. The current setting is shown inverted on the display:  
ON = Summer/standard time switchover active  
OFF = Summer/standard time switchover not active
  - ⌚ Deactivate or activate the automatic summer/standard time switchover.
  - \* Confirm deactivation/activation.
- Turn the rotary switch back to  (operating level).

**i Note**

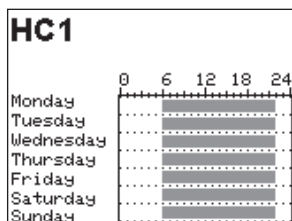
The correct time is guaranteed after a power failure of 24 hours. Normally, the correct time is still retained at least 48 hours after a power failure.

## 8.2.2 Setting the times-of-use

Three times-of-use can be set for each day of the week.

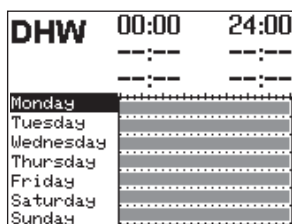
Parameters	WE		Value range
	HC1, HC2 DHW, CP		
Start first time-of-use	06:00	00:00	00:00 to 24:00 h; in steps of 15 minutes
Stop first time-of-use	22:00	24:00	00:00 to 24:00 h; in steps of 15 minutes
Start second time-of-use	--:--	--:--	00:00 to 24:00 h; in steps of 15 minutes
Stop second time-of-use	--:--	--:--	00:00 to 24:00 h; in steps of 15 minutes
Start third time-of-use	--:--	--:--	00:00 to 24:00 h; in steps of 15 minutes
Stop third time-of-use	--:--	--:--	00:00 to 24:00 h; in steps of 15 minutes



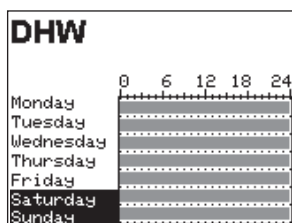


Turn the rotary switch to  $\text{e} \frac{\text{III}}{\text{III}}$  (times-of-use). The first control circuit is displayed together with its programmed times-of-use.

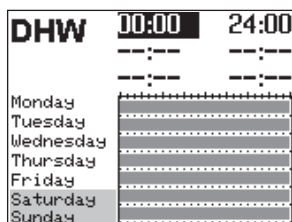
- ⌚ Program the times-of-use of another control circuit, if required:
  - Heating circuit HC2
  - DHW heating
  - Circulation pump (DHW) CP
- ➔ Only those control circuits are available for selection which can be controlled by the selected system.



- \* Activate editing mode for the control circuit. The times-of-use for Monday are displayed.

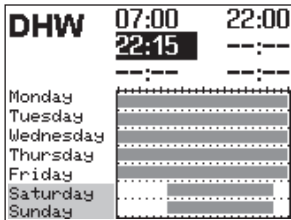


- ⌚ Select period/day for which the times-of-use are to be valid. The times-of-use can be programmed for individual days or for a block of days, e.g. Monday to Friday, Saturday and Sunday or Monday to Sunday. The selected days are shown inverted on the display.



- \* Activate editing mode for the period/day. The start time of the first time-of-use period can now be edited (inverted reading).

- ⌚ Change start time. (in steps of 15 minutes)
- \* Confirm the start time. The stop time of the first time-of-use period can now be edited.
- ⌚ End stop time. (in steps of 15 minutes)



\* Confirm the stop time.  
The start time of the second time-of-use period can now be edited.

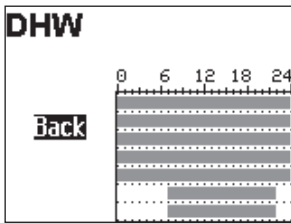
To set the second and third times-of-use periods, repeat steps with gray background. If no further times-of-use are to be programmed for the selected time period/day, exit the menu by confirming the indicated start time twice (2x \*).

Proceed in the same manner to program further periods/days.

**After setting all times-of-use:**

- ⏪ Select 'Back'.
- \* Exit the times-of-use setting.

Turn the rotary switch back to  (operating level).



### 8.2.3 Setting the party timer (special time-of-use)

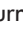
Rated operation in the corresponding control circuit (HC1, HC2 or DHW) is started or continued for the time period set in the party mode. When the party timer has elapsed, the party timer returns to --:--.

Parameters	WE	Value range
HC1 party timer	--:-- h	0 to 48 h; in steps of 15 minutes
HC2 party timer	--:-- h	0 to 48 h; in steps of 15 minutes
DHW party timer	--:-- h	0 to 48 h; in steps of 15 minutes

Special use	
HC1 Party timer	---:-- h
DHW Party timer	---:-- h
Public holidays	----
Vacations	---.---.---.---

Special use	
HC1 Party timer	---:-- h
DHW Party timer	---:-- h
Public holidays	----
Vacations	---.---.---.---

Special use	
HC1 Party timer	02:00 h
DHW Party timer	---:-- h
Public holidays	----
Vacations	---.---.---.---

Turn the rotary switch to  (special times-of-use). The party timer for the first control circuit is now selected.

- ⌚ Set party timer of another control circuit, if required:
  - Heating circuit HC2
  - DHW heating

➔ Only those control circuits are available for selection which can be controlled by the selected system.

- \* Activate editing mode for the party timer. The party timer is now in the editing mode (inverted display).
- ⌚ Extend day operation as required. (in steps of 15 minutes)

\* Confirm setting.

#### After setting the party timer:

Turn the rotary switch back to  (operating level).

#### Note

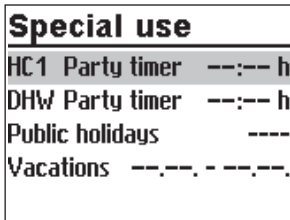
Party timer runs down in steps of 15 minutes.

## 8.2.4 Programming public holidays (special times-of-use)

On public holidays, the times-of-use specified for Sunday apply.

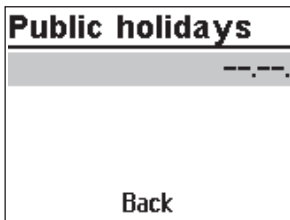
A maximum of 20 public holidays may be entered.

Parameters	WE	Value range
Public holidays	---:--	01.01 to 31.12



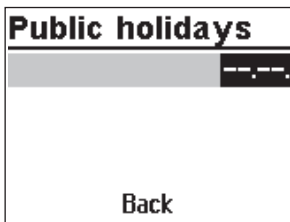
Turn the rotary switch to **#** (special times-of-use). The party timer for the first control circuit is now selected.

- ⌚ Select 'Public holidays'.



- \* Start the public holiday setting. The first public holiday setting is now selected. ---:--: is displayed if no public holidays (default setting) have been programmed.

- ⌚ Select ---:--:, if applicable.



- \* Activate editing mode for public holidays.

- ⌚ Set the date of the public holiday.

- \* Confirm the date.

Proceed in the same manner to program further public holidays.

### Deleting a public holiday:

- ⌚ Select the holiday you wish to delete.

- \* Confirm the date.

- ⌚ Select '---:--:' setting

- \* Confirm setting.

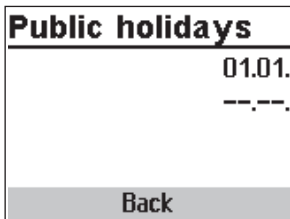
The public holiday is deleted.

### After programming all public holidays:

- ⌚ Select 'Back'.

- \* Exit the public holiday setting.

Turn the rotary switch back to **0** (operating level).



**i Note**

Public holidays that are not assigned to a specific date should be deleted by the end of the year so that they are not carried on into the following year.

## 8.2.5 Programming vacation periods (special times-of-use)

The system runs constantly in reduced mode during vacation periods. A maximum of ten vacation periods can be entered. Each vacation period can be separately assigned to the heating circuits HC1, HC2 and DHW circuit or to all control circuits.

Parameters	WE	Value range
Vacation period	--:-- --:--	01.01 to 31.12

Special use	
HC1 Party timer	--:-- h
DHW Party timer	--:-- h
Public holidays	----
Vacations	--:-- . --:-- .

Turn the rotary switch to **#** (special times-of-use). The party timer for the first control circuit is now selected.

- ⌚ Select 'Vacations'.

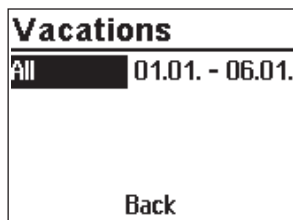
Vacations	
	--:-- . --:-- .
Back	

- \* Start the vacations setting. The first vacations setting is now selected. --:-- . --:-- . is displayed if no vacations (default setting) have been programmed.

- ⌚ Select --:-- . --:-- .

Vacations	
	--:-- . --:-- .
Back	

- ⌚ Activate editing mode for vacations. The start date can now be edited (inverted reading).
- ⌚ Set the start date.
- ⌚ Confirm the start date. The end date can now be edited.
- ⌚ Set the end date.



- ⌚ Confirm the year setting. 'All' is selected. The vacation period then applies to all control circuits.
- ⌚ If the vacation period is to be only valid for one control circuit, select the required control circuit:
  - Heating circuit HC1
  - Heating circuit HC2
  - DHW heating
- ➔ Only those control circuits are available for selection which can be controlled by the selected system.
- \* Confirm the control circuit.

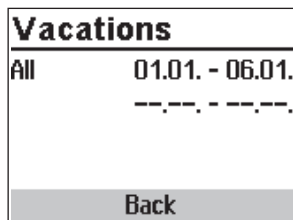
**i Note**

An active vacation period is indicated on the display by the ➤ icon.

Proceed in the same manner to program further vacations.

**Deleting vacation periods:**

- ⌚ Select the start date of the period you wish to delete.
- \* Confirm vacation period.
- ⌚ Select --.-- - --.--.
- \* Confirm setting.  
The vacation period is deleted.



**After programming all vacation periods:**

- ⌚ Select 'Back'.
  - \* Exit the vacations setting.
- Turn the rotary switch back to ☐ (operating level).

**i Note**

Vacations should be deleted by the end of the year so that they are not carried on into the following year.

## 8.3 Entering day and night set points

The day and night set points can be programmed for each control circuit as well as the deactivation values based on the outdoor temperature.

### **i** Note

*When the four-point characteristic mode without room sensor and optimizing mode or flash adaptation is used, it is not possible to adjust the set points for room temperature.*

The associated heating circuit is immediately switched off when the outdoor temperature exceeds the limit 'OT deactivation value in rated operation'. The valve is closed and the pump is switched off after  $t = 2 \times \text{Valve transit time}$ . The heating is immediately switched on again when the outdoor temperature falls below the limit (minus 0.5 °C hysteresis). The default setting causes the system to be switched off during warm weather at an outdoor temperature of 22 °C.

The associated heating circuit is immediately switched off when the outdoor temperature exceeds the limit 'OT deactivation value in reduced operation'. The valve is closed and the pump is switched off after  $t = 2 \times \text{Valve transit time}$ . The heating is immediately switched on again when the outdoor temperature falls below the limit (minus 0.5 °C hysteresis).

The default setting causes the system to be switched off at night time at an outdoor temperature of 15 °C to save energy. However, be aware when this setting is used that the system takes awhile in the morning to warm up the building.

### Switch position ↓\*

Parameters	WE	Value range
HC1 room temperature	20.0 °C	0.0 to 40.0 °C
HC2 room temperature	20.0 °C	0.0 to 40.0 °C
DHW temperature	60.0 °C	Min. to max. DHW temperature
HC1 OT deactivation value	22.0 °C	0.0 to 50.0 °C
HC2 OT deactivation value	22.0 °C	0.0 to 50.0 °C

## Switch position $\downarrow \text{C}$

Parameters	WE	Value range
HC1 room temperature	15.0 °C	0.0 to 40.0 °C
HC2 room temperature	15.0 °C	0.0 to 40.0 °C
DHW temperature	40.0 °C	Min. to max. DHW temperature
HC1 OT deactivation value	15.0 °C	-50.0 to 50.0 °C
HC2 OT deactivation value	15.0 °C	-50.0 to 50.0 °C

### Day set points

HC1 Room temp.	20.0°C
DHW DHW temp.	60.0°C
HC1 OT deact.	22.0°C

Turn the rotary switch to  $\downarrow *$  (day set point) or  $\downarrow \text{C}$  (night set point). The day and night set points appear on the display one after the other.

➔ Only those day and night set points are available for selection which can be controlled by the selected system.

### **i** Note

The deactivation values are located in a separate menu (deactivation values) for systems with two control circuits.

### Night set points

HC1 Room temp.	15.0°C
DHW DHW temp.	40.0°C
HC1 OT deac. da	15.0°C

⌂ Select the set point.

\* Activate editing mode for set point.

⌂ Adjust the set point.

\* Confirm setting.

Proceed in the same manner to adjust further set points.

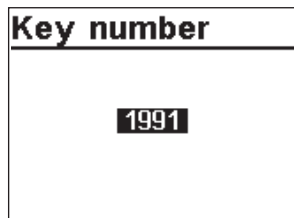
### After adjusting all the set points:

Turn the rotary switch back to  $\square$  (operating level).



## 8.4 Reset to default settings

All parameters set over the rotary switch as well as parameters in the PA1 and PA2 parameter levels can be reset to their default settings (WE). This does not apply to the maximum flow temperature and the return flow temperature limits in PA1 and PA2.



Turn the rotary switch to  $\diamond$  (settings).

⌂ Enter key number 1991.

\* Confirm key number.

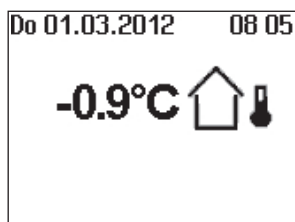
The settings are reset when the following icon appears on the controller display:



## 8.5 Reading information

The display indicates the date, time and actual temperature when the rotary switch is positioned at  $\square$  (operating level).

**Outdoor-temperature-compensated control · Current temperature = outdoor temperature**



Deactivation depending on outdoor temperature active)

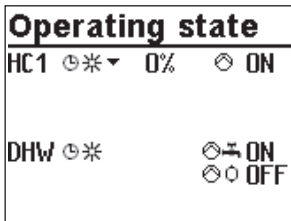


Vacations active

Fixed set point control · Current temperature = Flow temperature

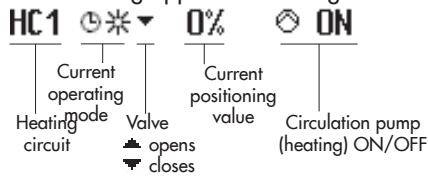


Further information can be obtained by turning the rotary pushbutton:

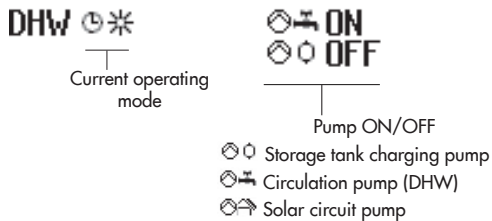


Operating state

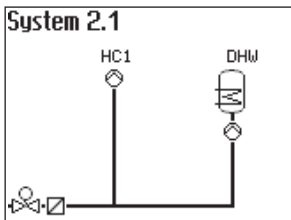
The following applies for heating circuits HC1 and HC2:



The following applies for DHW heating:



See section 8.1 for further information.

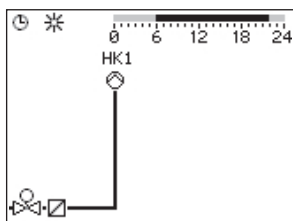


Selected system code number

See Annex A for further information.

<b>System</b>	p. 1/1
Bedarf AE1	0.0°C

- \* Reading in percent of the 0 to 10 V analog signal as the "AA1" value as well as measured values for the entire system (e.g. measured values and limits of a flow rate or capacity limitation or the demand to be processed), if activated.



- ⌚ Times-of-use (depending on system code number)
  - Heating circuit HC1
  - Heating circuit HC2
  - DHW heating

The day mode times is highlighted in black on the time chart.

Night mode and deactivation times are highlighted in gray on the time chart.

- \* Measured values, set points and limits of the system section shown are displayed.

<b>DHW Values</b>	p. 1/1
Betrieb: Zwischenheizen	
St. tnk temp.1	39.3°C
St. tank SP 1	60.0°C

The 'DHW values' page also includes information on the operating state of the DHW heating.

The following messages are generated:

- 'Standby'
- 'Monitoring'
- 'Circulation' (= circulation losses are compensated for)
- 'Demand'
- 'Charging'
- 'Lag time'
- 'Intermediate heating'
- 'Discharging protection'

Special values	
0-10 V meas. v.	0.0
Measured v. 2	39.3
Measured v. 3	63.9
Measured v. 8	14.4

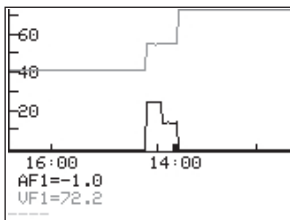
- ⌚ Special values  
Measured values from additional sensor inputs (not relevant for closed-loop control) or from the 0 to 10 V input are displayed.

Alarm list	
15:45	Sensor failure
28.10.	Start with defaults
14.12.2021 15:45 - Failed	

- ⌚ Alarm list  
The last four alarm entries are listed.
- \* Open the alarm list and select further alarm entries (⌚).  
Further information on an alarm (including time and date when it occurred) runs across the display.

Event list	
18:04	C05-F24=0
18:01	System=4.1
18:01	HC1 Automatic
17:59	HC1 Stand-by
14.12.2021 18:04 - Functio	

- ⌚ Event list  
The last four event entries are listed.
- \* Open the event list and select further event entries (⌚).  
Further information on an event (including time and date when it occurred) runs across the display.



- ⌚ Trend-Viewer  
The standard graph shows the data measured at the outdoor sensor AF1 and flow sensor VF1 plotted over time.

**i Note**

Details on the controller version (device identification, serial number, software and hardware versions) are displayed in the **extended operating level**.

Information	
Modbus ID	5573
Serial number	64282
Software version	2.51
Hardware version	1.35

Information		p.1/3
Modbus station	255	
Logging memory	OFF	
Solar operation	0 h	
Flow rate 1	0	
Special flags	3840	

Information		p.2/3
Vf1-Rüf1	--.-°C	
Y1 avg mth bfr lst	10240	
Y1 avg last month	0	
Y1 avg this month	0	
Binary inputs	□ □ □ □ □ □ □ □	

Information		p.3/3
Reason for reset	SW	

Turn the rotary switch to  $\diamond$  (settings).

⌂ Enter code number 1999.

\* Confirm key number.

Turn the rotary switch to  $\square$  (operating level).

⌂ Select 'Information'.

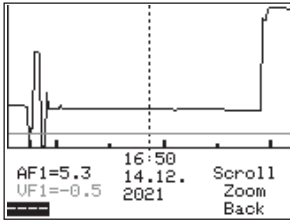
The additional "meter" page is displayed with connection status and further meter data for meters 1 to 3 when the meter bus is activated (see Annex A). In addition, the respective measuring and limit values are displayed after confirming the plant scheme when the flow rate and/or capacity limitation is active..

### **i** Note

- The additional information is hidden when the key number 1999 is entered again.
- The key number 1999 cannot be used to change the controller configuration and parameterization. A separate key number exists for configuration and parameterization (see the 'Start-up and configuration' section).

## 8.5.1 Adapting the Trend-Viewer

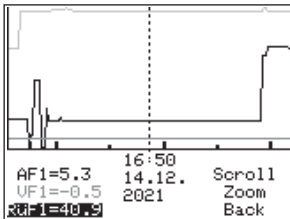
The standard graph shows the data measured at the outdoor sensor AF1 and flow sensor VF1 plotted over time.



- \* Open the Trend-Viewer.

### Adding measuring data

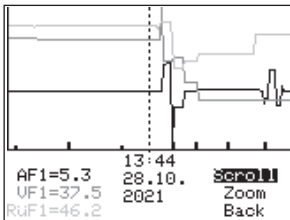
- ⌚ Select ---- on the display.
- \* Activate editing mode for sensor selection.
- ⌚ Select the sensor.



- \* Confirm setting.

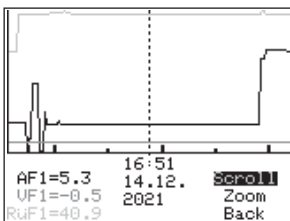
### Deleting measured data:

- ⌚ Select the sensor whose measured data are no longer to be displayed.
- \* Activate editing mode for sensor.
- ⌚ Select ---- on the display.
- \* Confirm deletion.

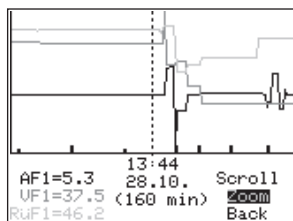


### Shifting the time line:

- ⌚ Select 'Scroll'.
- \* Activate editing mode for scroll function.

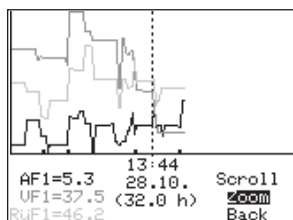


- ⌚ Shift the time line.
- \* Confirm time display.



### Zooming in/out

- ⌂ Select 'Zoom'.
- \* Open zoom function.
- ⌂ Zoom in or out.



- \* Confirm display.

### Closing the Trend-Viewer

- ⌂ Select 'Back'.
- \* Close the Trend-Viewer

## 8.6 Operating the controller in manual mode

Switch to manual mode to configure all controller outputs.

### ⚠ NOTICE

**System damage caused by frost when manual operating mode is active!**

The frost protection function is deactivated in the manual operating mode.

→ Do not run the heating during cold weather in the manual mode for long periods of time.

### Manually changing the positioning value/switching state:

Manual mode		
HC1		0%
HC1		ON
DHW		ON
DHW		OFF
Information		

Handbetrieb		
TWW		EIN
AA1		20%

Turn the rotary switch to (manual mode).

The outputs of the configured system are listed on the display.

① Select the output:

- Positioning value
- Circulation pump (heating)
- Storage tank charging pump
- Heat exchanger charging pump
- Circulation pump (DHW)
- Solar circuit pump
- Analog 0 to 10 V signal
- AA1 0 to 10 V output signal

- ② Activate editing mode for the output.
- ③ Change the positioning value/switching state.
- ④ Confirm the positioning value/switching state.  
The modified values remain active as long as the controller is in manual mode.


Turn the rotary switch to (operating level). The manual mode is deactivated.

#### **i** Note

The outputs of the controller are not affected by merely turning the rotary switch to (manual mode). The outputs are only changed by entering or changing the positioning values or switching states.



## 9 Malfunctions

A malfunction is indicated by the blinking  icon on the display. Additionally, the display is illuminated for one second every 10 seconds. Press the rotary pushbutton to open the error level. As long as a malfunction exists, the error message is included in the reading loop, even when it has not been opened by pressing the rotary pushbutton.

In the error level, the error message is displayed as specified in the following list (see section 9.1).

---

### **i** Note

*After the system code number has been changed or after restarting the controller, any error messages are suppressed for approx. three minutes.*

---

### 9.1 Error list

Sensor failure = Sensor failure (see section 9.2)

Disinfection = Disinfection temperature not reached (see **Thermal disinfection** function in Annex A)

Max. charging temp. = Max. charging temperature reached (see **DHW heating in the storage tank charging system** function in Annex A)

Temp. monitoring = Temperature monitor alarm (see section 9.3)

Unauthorized access = Unauthorized access occurred (see section 9.5)

Binary alarm = Error message of a binary input

Meter bus = Meter bus communication error

Heat meter = Heat meter error registered

---

### **i** Note

*If the error messages or indications that can be confirmed are included in the list shown, you can decide whether you want to confirm these error messages on exiting the error list.*

---

### 9.2 Sensor failure

As described in the error list, sensor failures are indicated by the 'Sensor failure' error message in the error level. For detailed information, exit the error level and view the different temperature values in the information level: each sensor icon displayed together with three dashes instead of the measured value indicates a defective sensor. The following list explains how the controller responds to the failure of the different sensors.

- **Outdoor sensor AF1:** when the outdoor sensor fails, the controller uses a flow temperature set point of 50 °C or the 'Max. flow temperature' when the max. flow temperature (PA1, 2 -> P07) is lower than 50 °C. With the setting CO1, 2 -> F05 - 1 (underfloor heating), the flow temperature set point is 30 °C in the event of a malfunction.
- **Flow sensor(s) in heating circuit(s):** when the flow sensors in the heating circuits are defective, the associated valve moves to 30 % travel. DHW heating which use such a sensor to measure the charging temperature is suspended.
- **Flow sensors in the DHW circuit with control valve:** when the flow sensor VF4 fails, the controller behaves as if VF4 has not been configured. As soon as the control of the charging temperature becomes impossible (VF2 defective), the associated valve is closed.
- **Return flow sensors RÜF1/2:** when the return flow sensor fails, the controller continues operation without return flow temperature limitation.
- **Room sensors RF1/2:** when the room sensor fails, the controller uses the settings for operation without room sensor. The controller, for example switches from optimizing mode to reduced operation. The adaptation mode is canceled. The last determined heating characteristic remains unchanged.
- **Storage tank sensors SF1/2:** when one of the two sensors fails, the storage tank is no longer charged (exception: solar system).
- **Solar circuit sensors SF, VF, RÜF:** when one of the two sensors fails, the storage tank in the solar circuit is no longer charged.

### 9.3 Temperature monitoring

When a system deviation greater than 10 °C persists in a control circuit for 30 minutes, an Err 6 message (temperature monitoring alarm) is generated.

Functions	WE	Configuration
Monitoring	0	CO5 -> F19 - 1

### 9.4 Fault alarm output

With the setting CO5 -> F07 - 1, the output at terminal 23 or the output at terminal 29 is used for fault indication (specific terminals listed in the table of each system). The fault alarm output is activated (bA = 1 setting) or deactivated (bA = 0 setting) when at least one of the errors from the error list (**bold**) occurs.

This function is not available for systems 4.1, 4.5, 11.1, 11.2, 11.3, 11.6, 16.1 and 16.6.

Functions	WE	Configuration
Fault alarm output at terminal 23 or 29 (depending on the system selected)	0 1	CO5 -> F07 - 1 bA = 1, 0

### 9.5 Error status register

The error status register is used to indicate controller or system errors. The error messages which cause a change in the state of the configured fault alarm output (CO5 -> F07 - 1) are highlighted in the following table (**bold**).

In the CO8 configuration level, the binary inputs BI1 and BI2 can be added to the error status register. Either an open or closed binary input can be configured to indicate an error. The controller indicates 'Binary alarm' when at least one of the inputs configured in this way registers an error.

#### **i** Note

*If free inputs are to issue binary signals to a building control station without affecting the error status register, activate the corresponding function block in the CO8 configuration level and select 'None' as the function block parameter.*

## Malfunctions

Error message	Decimal value	
<b>Sensor failure</b>	1	1
-	2	
Disinfection	4	
Max. charging temp.	8	
<b>External</b>	16	
Temp. monitoring	32	32
<b>Unauthorized access</b>	64	
<b>Binary alarm</b>	128	
<b>Meter bus</b>	256	
Heat meter	512	
		Total
Example: Value of error status register when a sensor fails and a temperature monitoring alarm =		33

## 10 Servicing

The work described in this section is only to be performed by personnel appropriately qualified to carry out such tasks.

We recommend inspection and testing according to Table 10-1.

**Table 10-1:** *Recommended inspection and testing*

Inspection and testing	Action to be taken in the event of a negative result
Check the markings, labels and nameplates on the heating controller for their readability and completeness.	→ Immediately renew damaged, missing or incorrect nameplates or labels.
	→ Clean any inscriptions that are covered with dirt and are illegible.
Check the electric wiring.	→ If any wires are loose, open the controller housing and tighten the terminal screws (see the 'Installation' section).
	→ Renew damaged wires.
Compare the temperature values displayed at the heating controller with the actual temperatures at the point of measurement.	→ If the displayed and actual temperatures differ, calibrate the sensors (see the 'Start-up and configuration' section).



## 11 Decommissioning

The work described in this section is only to be performed by personnel appropriately qualified to carry out such tasks.

---

**⚠ DANGER*****Risk of fatal injury due to electric shock shock***

*Before disconnecting live wires at the heating controller, switch off the supply voltage and protect it against unintentional reconnection.*

---

To put the controller out of operation, the heating controller must be disconnected from the power supply:

- When the heating controller is connected to a control station: log off the heating controller from the control station and disconnect the communication cable.
- When the heating controller is connected to TROVIS-VIEW: remove the connecting cable from the RJ-45 jack.
- Disconnect the supply voltage and protect it against unintentional reconnection.
- Unscrew the top left and right screws on the front of the controller to open the controller housing.
- Disconnect the wires from the terminals.
- Pull the wires out of the cable ducts.





## 12 Removal

The work described in this section is only to be performed by personnel appropriately qualified to carry out such tasks.

### Panel mounting

1. Put the heating controller out of operation (see the 'Decommissioning' section).
2. Unscrew the top left and bottom right screws to unfasten the controller housing from the panel.

### Wall mounting

1. Put the heating controller out of operation (see the 'Decommissioning' section).
2. Unscrew the fastening screws and remove the back of the housing from the wall.

### Rail mounting

1. Put the heating controller out of operation (see the 'Decommissioning' section).
2. Unscrew the top left and bottom right screws to unfasten the controller housing from the top-hat rail.



## 13 Repairs

A defective heating controller must be repaired or replaced.

---

**!** NOTICE

***Risk of damage to the heating controller due to incorrect service or repair work.***

- *Do not perform any repair work on your own.*
  - *Contact SAMSON's After-sales Service for service and repair work.*
- 

### 13.1 Returning devices to SAMSON

Defective heating controllers can be returned to SAMSON for repair.

Proceed as follows to return devices to SAMSON:

1. Put the heating controller out of operation (see the 'Decommissioning' section).
2. Remove the heating controller (see the 'Removal' section).
3. Proceed as described on the Returning goods page of our website
  - ▶ [www.samsongroup.com](http://www.samsongroup.com) > SERVICE > After-sales Service > Returning goods



## 14 Disposal



SAMSON is a producer registered at the following European institution  
▶ <https://www.ewrn.org/national-registers/national-registers>.  
WEEE reg. no.:  
DE 62194439/FR 025665

- Observe local, national and international refuse regulations.
- Do not dispose of components, lubricants and hazardous substances together with your other household waste.

---

### **i** Note

*We can provide you with a recycling passport according to PAS 1049 on request. Simply e-mail us at [aftersaleservice@samsongroup.com](mailto:aftersaleservice@samsongroup.com) giving details of your company address.*

---

### Tip

*On request, we can appoint a service provider to dismantle and recycle the product.*

---



## 15 Certificates

The following certificates are included on the next pages:

- EU declaration of conformity
- TR CU certificate

The certificates shown were up to date at the time of publishing. The latest certificates can be found on our website:

▶ [www.samsunggroup.com](http://www.samsunggroup.com) > PRODUCTS > Automation Systems > 5573-1

EU declaration of conformity

SMART IN FLOW CONTROL



**EU Konformitätserklärung / EU Declaration of Conformity /  
Déclaration UE de conformité**

Die alleinige Verantwortung für die Ausstellung dieser Konformitätserklärung trägt der Hersteller/  
This declaration of conformity is issued under the sole responsibility of the manufacturer/  
La présente déclaration de conformité est établie sous la seule responsabilité du fabricant.  
Für das folgende Produkt / For the following product / Nous certifions que le produit

**Heizungs- und Fernheizungsregler / Heating and District Heating Controller /  
Régulateur de chauffage et de chauffage à distance  
Typ/Type/Type TROVIS 5573-1x**

wird die Konformität mit den einschlägigen Harmonisierungsrechtsvorschriften der Union bestätigt /  
the conformity with the relevant Union harmonisation legislation is declared with/  
est conforme à la législation d'harmonisation de l'Union applicable selon les normes:

EMC 2014/30/EU	EN 61000-6-1:2007, EN 61000-6-3:2007 +A1:2011, EN 55022:2010
LVD 2014/35/EU	EN 60730-1:2016, EN60730-2-9:2011, EN 50344-1:2001
RoHS 2011/65/EU	EN 50581:2012

Hersteller / Manufacturer / Fabricant:

SAMSON AKTIENGESELLSCHAFT  
Weismüllerstraße 3  
D-60314 Frankfurt am Main  
Deutschland/Germany/Allemagne

Frankfurt / Francfort, 2017-07-29

Im Namen des Herstellers/ On behalf of the Manufacturer/ Au nom du fabricant.

co\_5573\_h\_u\_kr\_en\_fru\_1607.pdf

Gert Nahler  
Zentralabteilungsleiter/Head of Department/Chef du département  
Entwicklung Automation und Integrationstechnologien/  
Development Automation and Integration Technologies

Hanno Zager  
Leiter Qualitätssicherung/Head of Quality Management/  
Responsable de l'assurance de la qualité

SAMSON AKTIENGESELLSCHAFT  
Weismüllerstraße 3 60314 Frankfurt am Main

Telefon: 069 4009-0 - Telefax: 069 4009-1507  
E-Mail: samson@samson.de

Revision 07



TR CU certificate

**ЕВРАЗИЙСКИЙ ЭКОНОМИЧЕСКИЙ СОЮЗ**

**СЕРТИФИКАТ СООТВЕТСТВИЯ**

№ ЕАЭС RU C-DE.ЭА11.В.00051/19  
Серия **RU** № **0197360**

**ОРГАН ПО СЕРТИФИКАЦИИ** Общества с ограниченной ответственностью «ТМС РУС». Место нахождения (адрес юридического лица): Российская Федерация, 127083, город Москва, улица Верхняя Масловка, дом 20, строение 2; адрес места осуществления деятельности: Российская Федерация, 127083, город Москва, улица Верхняя Масловка, дом 20, строение 2, помещения № 18, 28. Аттестат аккредитации № РОСС RU.0001.11ЭА11 от 02.07.2015. Номер телефона: +7 (495) 221-18-04; адрес электронной почты: info@tms-rs.ru.

**ЗАЯВИТЕЛЬ** Общество с ограниченной ответственностью «Самсон Контролс». Место нахождения (адрес юридического лица) и адрес места осуществления деятельности: Российская Федерация, 109544, город Москва, бульвар Энтузиастов, дом 2, этаж 5, комната 11. ОГРН 1037700041026. Номер телефона: +7 (495) 777-45-45, адрес электронной почты: samson@samson.ru.

**ИЗГОТОВИТЕЛЬ** «SAMSON AG Mess- und Regeltechnik». Место нахождения (адрес юридического лица) и адрес места осуществления деятельности по изготовлению продукции: Weismüllerstrasse 3, D-60314 Frankfurt am Main, Германия.

**ПРОДУКЦИЯ** Регуляторы электронные систем локального и центрального отопления, регуляторы промышленные TROVIS, типы 5573, 5575, 5576, 5579, 5610, 6493, 6495. Изготовление в соответствии со стандартами, указанными в приложении к сертификату соответствия на бланке № 0676636. Серийный выпуск.

**КОД ТН ВЭД ЕАЭС** 9032 89 000 0

**СООТВЕТСТВУЕТ ТРЕБОВАНИЯМ** технических регламентов Таможенного союза «О безопасности низковольтного оборудования» (ТР ТС 004/2011), «Электромагнитная совместимость технических средств» (ТР ТС 020/2011).

**СЕРТИФИКАТ СООТВЕТСТВИЯ ВЫДАН НА ОСНОВАНИИ** протокола сертификационных испытаний № 190919-008-009-02/ИР от 28.10.2019, выданного испытательной лабораторией Общества с ограниченной ответственностью «Иновационные решения», аттестат аккредитации РОСС RU.0001.21AB90; акта о результатах анализа состояния производства № 00062-А от 04.07.2019 органа по сертификации Общества с ограниченной ответственностью «ТМС РУС»; руководства по эксплуатации 4218-5570-5610-6490-2018.РЭ. Схема сертификации – 1с.

**ДОПОЛНИТЕЛЬНАЯ ИНФОРМАЦИЯ** Стандарты, в результате применения которых на добровольной основе обеспечивается соблюдение требований технических регламентов, указаны в приложении к сертификату соответствия на бланке № 0676637. Назначенный срок службы – 12 лет. Назначенный срок хранения – 2 года. Условия хранения указаны в руководстве по эксплуатации 4218-5570-5610-6490-2018.РЭ.

**СРОК ДЕЙСТВИЯ С** 25.12.2019 **ПО** 24.12.2024

**ВКЛЮЧИТЕЛЬНО**

Руководитель (уполномоченное лицо) органа по сертификации *Назарова* Назарова Лилия Юрьевна (Ф.И.О.)  
Эксперт (эксперт-аудитор) (эксперты (эксперты-аудиторы)) *М.П.* Ходоров Владимир Игоревич (Ф.И.О.)

АО «Юнион», Москва, 2019 г. «Б». Лицензия № 03-05-09-003 ФНС РФ. Т3 № 509. Тел.: (495) 728-47-43. www.gostcert.ru

**ЕВРАЗИЙСКИЙ ЭКОНОМИЧЕСКИЙ СОЮЗ**

**ПРИЛОЖЕНИЕ**

К СЕРТИФИКАТУ СООТВЕТСТВИЯ № ЕАЭС\_RU C-DE.ЭА11.В.00051/19

Серия **RU** № **0676636** Лист 1 из 1

Стандарты, в соответствии с которыми изготавливается продукция

Обозначение стандарта	Наименование стандарта
IEC 60730-1:2013 / Cor. 1:2014	Automatic electrical controls for household and similar use. Part 1. General requirements. Corrigendum 1
EN 50344-1:2002	Routine tests for controls within the scope of the EN 60730 series. General requirements
EN 55032:2012	Electromagnetic compatibility of multimedia equipment - Emission requirements
EN 61000-6-1:2007	Electromagnetic compatibility (EMC) - Part 6-1: Generic standards - Immunity for residential, commercial and light-industrial environments
IEC 61000-6-2:2016	Electromagnetic compatibility (EMC). Part 6-2: Generic standards. Immunity for industrial environments
EN 61000-6-3:2007	Electromagnetic compatibility (EMC). Part 6-3: Generic standards. Emission standard for residential, commercial and light-industrial environments
IEC 61010-1:2010	Safe requirements for electrical equipment for measurement, control, and laboratory use. Part 1: General requirements
EN 61326-1:2013	Electrical equipment for measurement, control and laboratory use. EMC requirements. Part 1: General requirements

Руководитель (уполномоченное лицо) органа по сертификации

Эксперт (эксперт-аудитор) (эксперты (эксперты-аудиторы))

*Лия*  
(подпись)



Назарова Лилия Юрьевна  
(Ф.И.О.)

М.П. Ходоров Владимир Игоревич  
(Ф.И.О.)

**ЕВРАЗИЙСКИЙ ЭКОНОМИЧЕСКИЙ СОЮЗ**

**ПРИЛОЖЕНИЕ**

К СЕРТИФИКАТУ СООТВЕТСТВИЯ № ЕАЭС RU C-DE.ЭА11.В.00051/19

Серия **RU** № **0676637** Лист 2 из 2

Стандарты, в результате применения которых на добровольной основе обеспечивается соблюдение требований технического регламента

Обозначение стандарта	Наименование стандарта
ГОСТ IEC 61010-1-2014	Безопасность электрических контрольно-измерительных приборов и лабораторного оборудования. Часть 1. Общие требования
ГОСТ Р 51522.1-2011 (МЭК 61326-1:2005) подразделы 6.2 и 7.2	Электрическое оборудование для измерения, управления и лабораторного применения. Часть 1. Общие требования и методы испытаний
ГОСТ 30804.6.1-2013 (IEC 61000-6-1:2005) раздел 8	Совместимость технических средств электромагнитная. Устойчивость к электромагнитным помехам технических средств, применяемых в жилых, коммерческих зонах и производственных зонах с малым энергопотреблением. Требования и методы испытаний
ГОСТ 30804.6.3-2013 (IEC 61000-6-3:2006) раздел 7	Совместимость технических средств электромагнитная. Электромагнитные помехи от технических средств, применяемых в жилых, коммерческих зонах и производственных зонах с малым энергопотреблением. Нормы и методы испытаний



Руководитель (уполномоченное лицо) органа по сертификации

*Лия*  
(подпись)

Назарова Лилия Юрьевна

(Ф.И.О.)

Эксперт (эксперт-аудитор) (эксперты (эксперты-аудиторы))

*М.П.*  
(подпись)

Ходоров Владимир Игоревич

(Ф.И.О.)



## 16 Annex A (configuration instructions)

This annex contains information on the configuration of the heating controller.

### 16.1 Systems

Different hydraulic schematics are available. The system images on the display show the structure of the hydraulic system.

#### Boiler systems:

Single-stage boiler systems can be configured to include any system whose heating circuits and DHW circuit include just one heat exchanger. These systems are Anl 1.0-1, 1.5-1, 1.6-1, 1.6-2, 1.9-1, 1.9-2, 2.x, 3.0, 3.5, 4.0, 4.1 and 16.x.

The boiler can be controlled by an on/off output (CO1 -> F12 - 0).

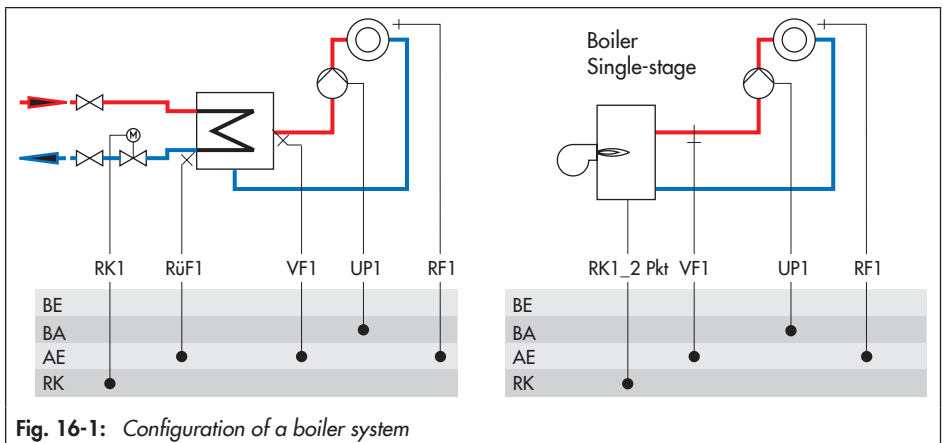
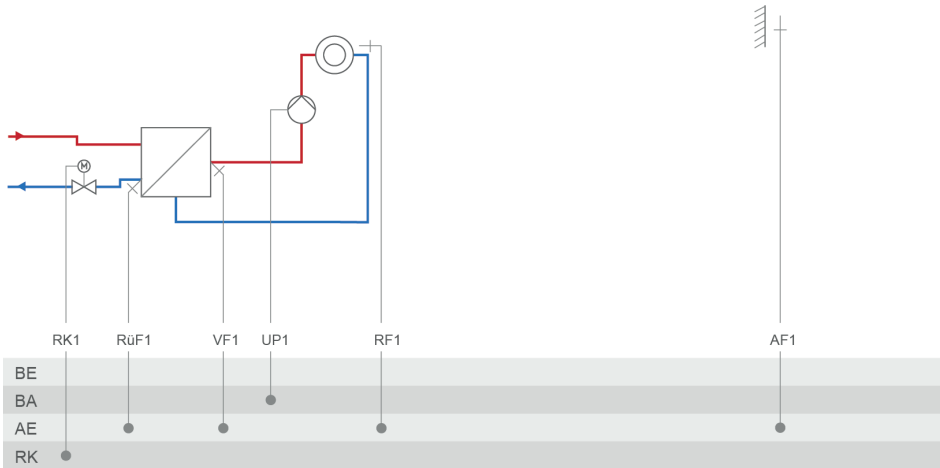


Fig. 16-1: Configuration of a boiler system

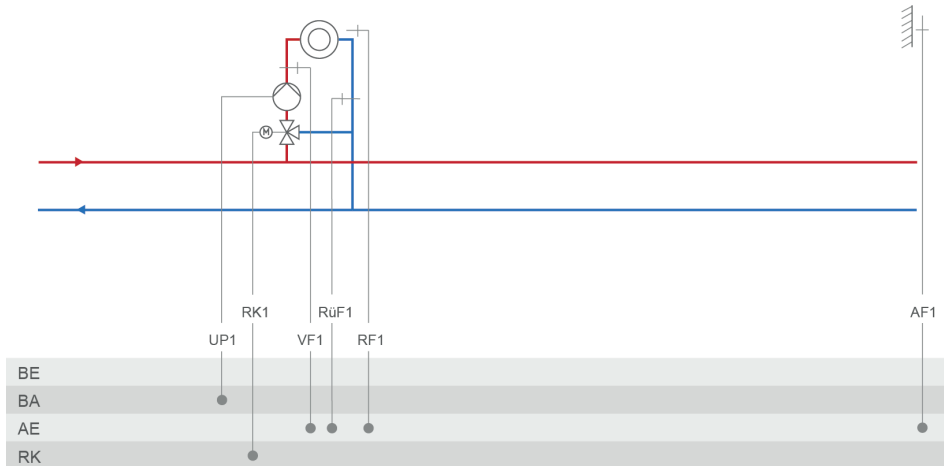
# Annex A (configuration instructions)

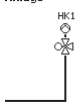
## System Anl 1.0-1



System	1.0-1
	<p>Anlage <b>1.0-1</b></p>
Default setting	
CO1 -> F01	- 0 (without RF1)
CO1 -> F02	- 1 (with AF1)
CO1 -> F03	- 1 (with RfF1)
CO5 -> F07	- 0 (without error message at terminal 29)
CO5 -> F34	<p>Function of the 0 to 10 V output:</p> <ul style="list-style-type: none"> <li>- Control signal Y1 (RK1)</li> <li>- Differential temperature control      When CO1 -&gt; F23 - 1</li> <li>- External demand                              When CO1 -&gt; F18 - 1</li> <li>- Outdoor temperature                        When CO5 -&gt; F23 - 1</li> </ul> <p>Direction = Output</p>

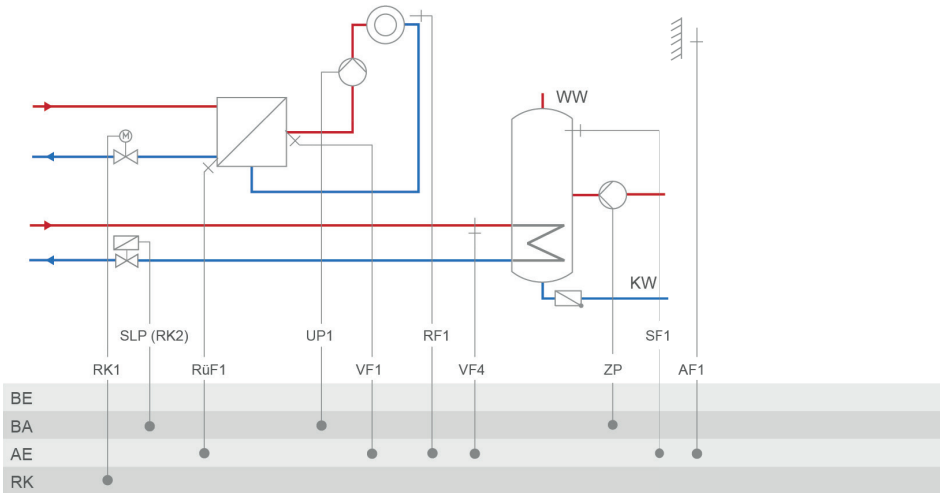
System Anl 1.0-2

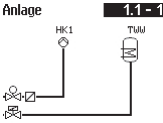


System	1.0-2
	Anlage 
Default setting	
CO1 -> F01	- 0 (without RF1)
CO1 -> F02	- 1 (with AF1)
CO1 -> F03	- 1 (with RuF1)
CO5 -> F07	- 0 (without error message at terminal 29)
CO5 -> F34	Function of the 0 to 10 V output: - Control signal Y1 (RK1) - Differential temperature control      When CO1 -> F23 - 1 - External demand                              When CO1 -> F18 - 1 - Outdoor temperature                        When CO5 -> F23 - 1 Direction = Output

## Annex A (configuration instructions)

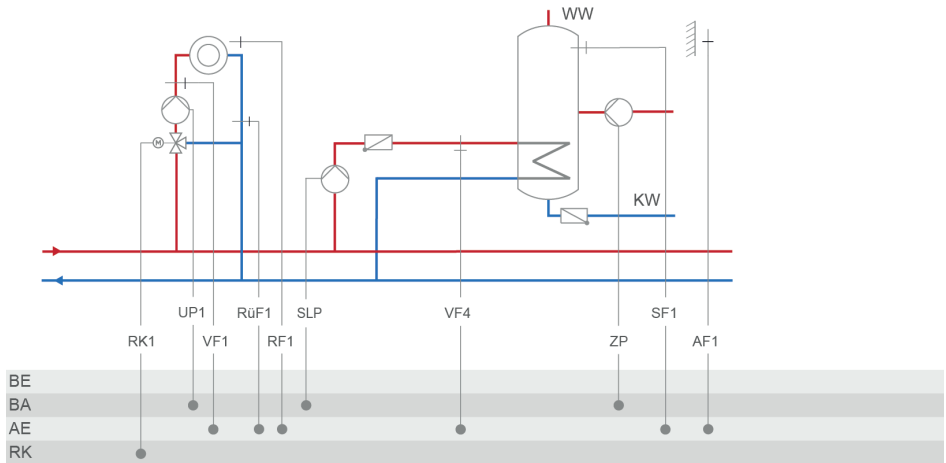
### System Anl 1.1-1



System	1.1-1
	<p>Anlage </p>
Default setting	
CO1 -> F01	- 0 (without RF1)
CO1 -> F02	- 1 (with AF1)
CO1 -> F03	- 1 (with RüF1)
CO4 -> F01	- 1 (with SF1)
CO4 -> F02	- 0 (without SF2)
CO4 -> F05	- 0 (without VF4)
CO5 -> F07	- 0 (without error message at terminal 29)
CO5 -> F34	<p>Function of the 0 to 10 V output:</p> <ul style="list-style-type: none"> <li>- Control signal Y1 (RK1)</li> <li>- External demand</li> <li>- SLP speed</li> <li>- Outdoor temperature</li> </ul> <p style="text-align: right;">                     When CO1 -&gt; F18 - 1                      When CO4 -&gt; F21 - 1                      When CO5 -&gt; F23 - 1                      Direction = Output                 </p>



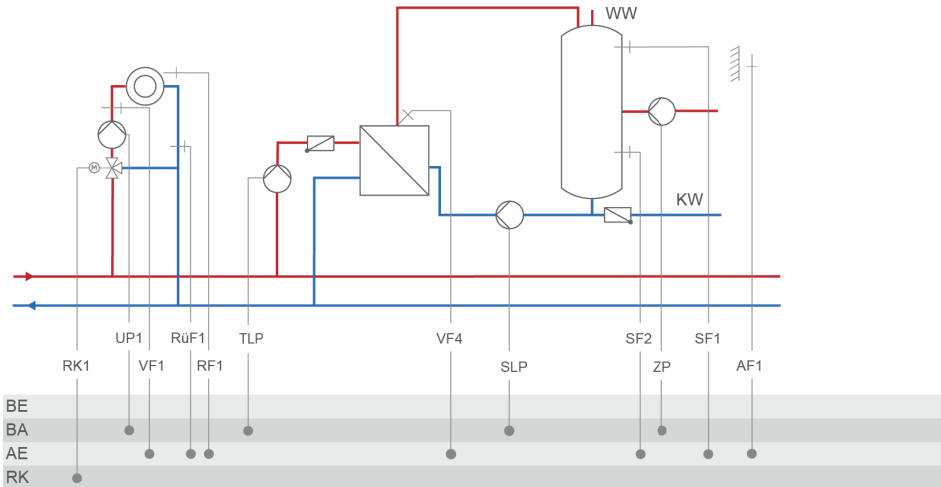
System Anl 1.1-2



<b>System</b>	<b>1.1-2</b>
	<p>Anlage </p>
<b>Default setting</b>	
CO1 -> F01	- 0 (without RF1)
CO1 -> F02	- 1 (with AF1)
CO1 -> F03	- 1 (with RüF1)
CO4 -> F01	- 1 (with SF1)
CO4 -> F02	- 0 (without SF2)
CO4 -> F05	- 0 (without VF4)
CO5 -> F07	- 0 (without error message at terminal 29)
CO5 -> F34	<p>Function of the 0 to 10 V output:</p> <ul style="list-style-type: none"> <li>- Control signal Y1 (RK1)</li> <li>- External demand</li> <li>- SLP speed</li> <li>- Outdoor temperature</li> </ul> <p style="text-align: right;">                     When CO1 -&gt; F18 - 1                      When CO4 -&gt; F21 - 1                      When CO5 -&gt; F23 - 1                      Direction = Output                 </p>

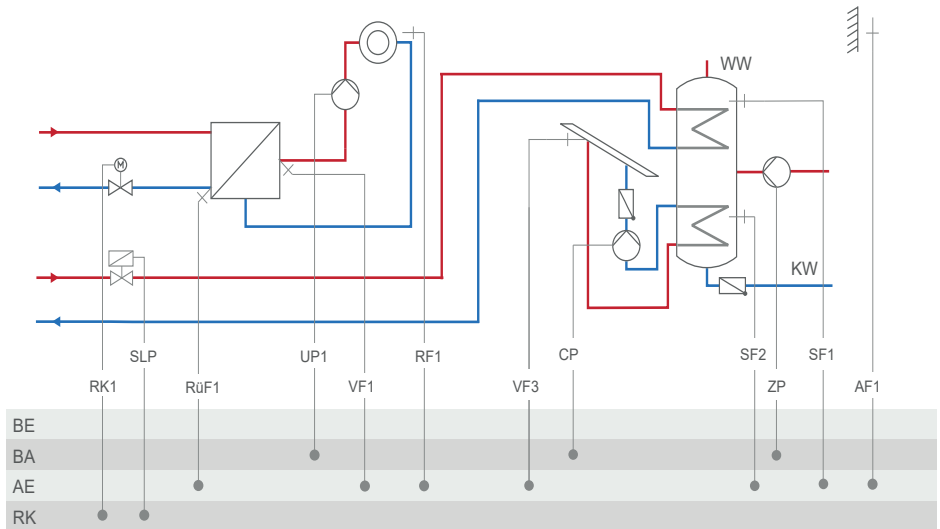
## Annex A (configuration instructions)


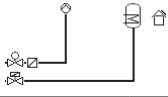
### System Anl 1.2



System	1.2
	<p>Anlage <b>1.2</b></p>
Default setting	
CO1 -> F01	- 0 (without RF1)
CO1 -> F02	- 1 (with AF1)
CO1 -> F03	- 0 (without RüF1)
CO4 -> F01	- 1 (with SF1)
CO4 -> F02	- 1 (with SF2)
CO4 -> F05	- 0 (without VF4)
CO5 -> F07	- 0 (without error message at terminal 29)
CO5 -> F34	<p>Function of the 0 to 10 V output:</p> <ul style="list-style-type: none"> <li>- Control signal Y1 (RK1)</li> <li>- External demand                      When CO1 -&gt; F18 - 1</li> <li>- SLP speed                                      When CO4 -&gt; F21 - 1</li> <li>- Outdoor temperature                      When CO5 -&gt; F23 - 1</li> </ul> <p>Direction = Output</p>

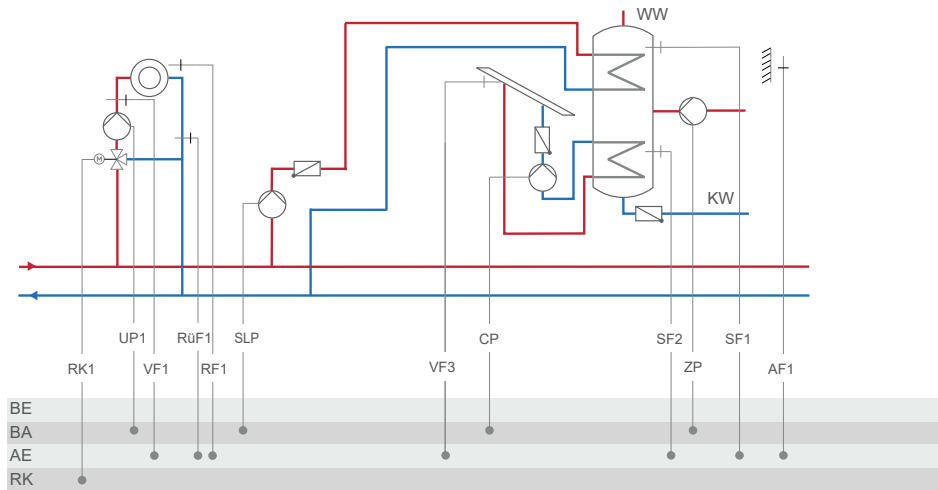
System Anl 1.3-1

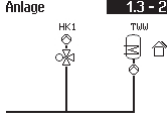


<b>System</b>	<b>1.3-1</b>
	<p>Anlage </p> 
<b>Default setting</b>	
CO1 -> F01	- 0 (without RF1)
CO1 -> F02	- 1 (with AF1)
CO1 -> F03	- 1 (with RüF1)
CO4 -> F01	- 1 (with SF1)
CO5 -> F07	- 0 (without error message at terminal 29)
CO5 -> F34	<p>Function of the 0 to 10 V output:</p> <ul style="list-style-type: none"> <li>- Control signal Y1 (RK1)</li> <li>- External demand                      When CO1 -&gt; F18 - 1</li> <li>- SLP speed                                      When CO4 -&gt; F21 - 1</li> <li>- Outdoor temperature                      When CO5 -&gt; F23 - 1</li> </ul> <p>Direction = Output</p>

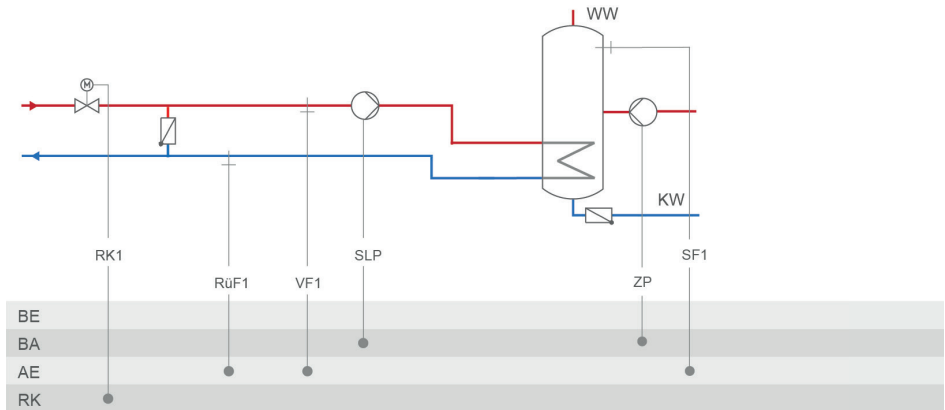
## Annex A (configuration instructions)

### System Anl 1.3-2



System	1.3-2
	<p>Anlage </p>
Default setting	
CO1 -> F01	- 0 (without RF1)
CO1 -> F02	- 1 (with AF1)
CO1 -> F03	- 1 (with RUF1)
CO4 -> F01	- 1 (with SF1)
CO5 -> F07	- 0 (without error message at terminal 29)
CO5 -> F34	<p>Function of the 0 to 10 V output:</p> <ul style="list-style-type: none"> <li>- Control signal Y1 (RK1)</li> <li>- External demand      When CO1 -&gt; F18 - 1</li> <li>- SLP speed                      When CO4 -&gt; F21 - 1</li> <li>- Outdoor temperature      When CO5 -&gt; F23 - 1</li> </ul> <p>Direction = Output</p>

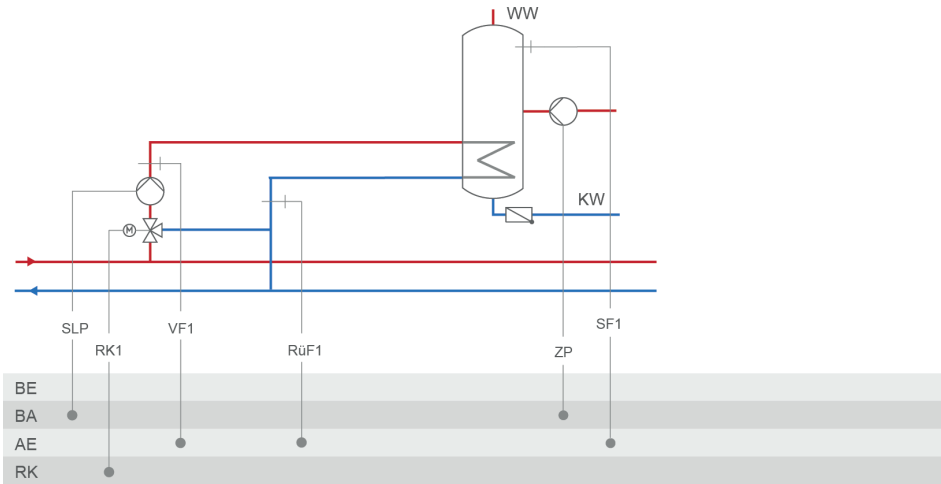
System Anl 1.5-1

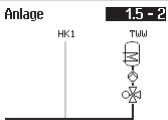


<b>System</b>	<b>1.5-1</b>
	<p>Anlage <b>1.5-1</b></p>
<b>Default setting</b>	
CO1 -> F03	- 1 (with RüF1)
CO4 -> F01	- 1 (with SF1)
CO4 -> F02	- 0 (without SF2)
CO5 -> F07	- 0 (without error message at terminal 29)
CO5 -> F34	<p>Function of the 0 to 10 V output:</p> <ul style="list-style-type: none"> <li>- Control signal Y1 (RK1)</li> <li>- External demand                      When CO1 -&gt; F18 - 1</li> <li>- SLP speed                                When CO4 -&gt; F21 - 1</li> </ul>

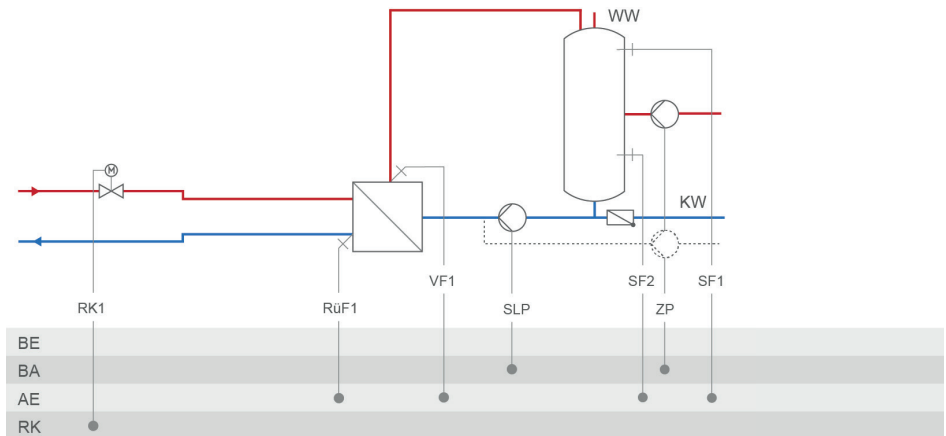
## Annex A (configuration instructions)

### System Anl 1.5-2



<b>System</b>	<b>1.5-2</b>
	Anlage 
<b>Default setting</b>	
CO1 -> F03	- 1 (with RüF1)
CO4 -> F01	- 1 (with SF1)
CO4 -> F02	- 0 (without SF2)
CO5 -> F07	- 0 (without error message at terminal 29)
CO5 -> F34	Function of the 0 to 10 V output: <ul style="list-style-type: none"> <li>- Control signal Y1 (RK1)</li> <li>- External demand                      When CO1 -&gt; F18 - 1</li> <li>- SLP speed                                When CO4 -&gt; F21 - 1</li> </ul>

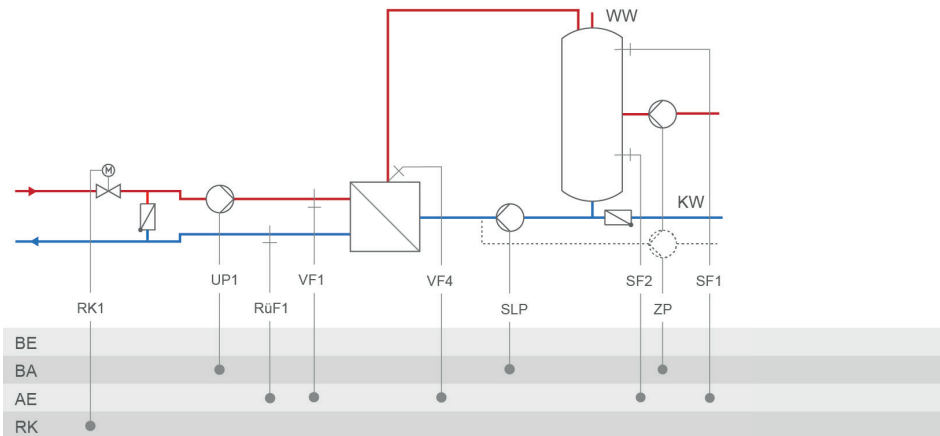
System Anl 1.6-1



<b>System</b>	<b>1.6-1</b>
	<p>Anlage <b>1.6-1</b></p>
<b>Default setting</b>	
CO1 -> F03	- 1 (with RüF1)
CO4 -> F01	- 1 (with SF1)
CO4 -> F02	- 1 (with SF2)
CO4 -> F10	- 0 (DHW circulation return flow in storage tank)
CO5 -> F07	- 0 (without error message at terminal 29)
CO5 -> F34	<p>Function of the 0 to 10 V output:</p> <ul style="list-style-type: none"> <li>- Control signal Y1 (RK1)</li> <li>- External demand</li> <li>- SLP speed</li> </ul> <p style="text-align: right;">When CO1 -&gt; F18 - 1 When CO4 -&gt; F21 - 1</p>

## Annex A (configuration instructions)

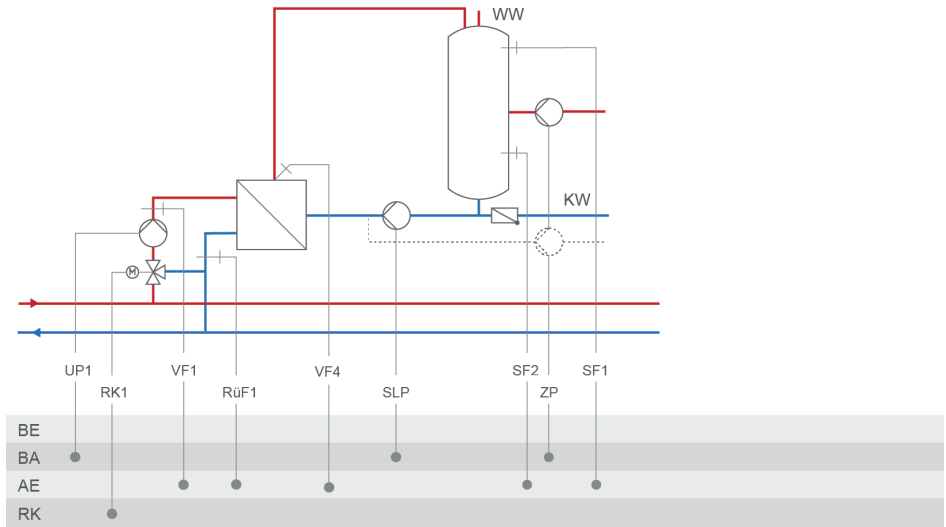
### System Anl 1.6-2



System	1.6-2
	Anlage <b>1.6-2</b> 
Default setting	
CO1 -> F03	- 1 (with RüF1)
CO4 -> F01	- 1 (with SF1)
CO4 -> F02	- 1 (with SF2)
CO4 -> F05	- 0 (without VF4; in this case, VF1 usually installed at the point of measurement of VF4)
CO4 -> F10	- 0 (DHW circulation return flow in storage tank)
CO5 -> F07	- 0 (without error message at terminal 29)
CO5 -> F34	Function of the 0 to 10 V output: - Control signal Y1 (RK1) - External demand - SLP speed
	When CO1 -> F18 - 1 When CO4 -> F21 - 1



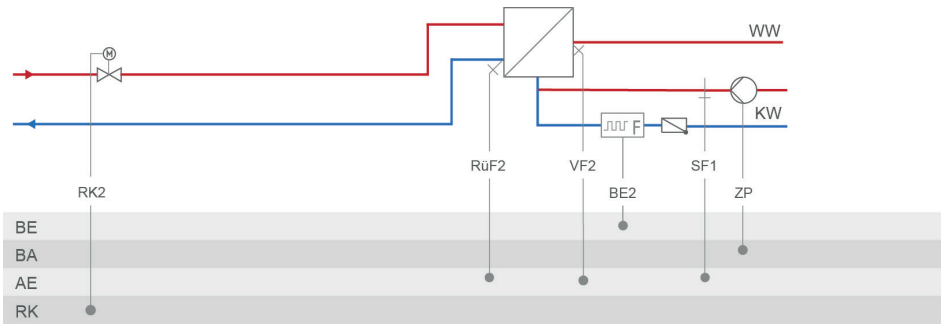
System Anl 1.6-3



System	1.6-3
	<p>Anlage <b>1.6-3</b></p>
Default setting	
CO1 -> F03	- 1 (with RüF1)
CO4 -> F01	- 1 (with SF1)
CO4 -> F02	- 1 (with SF2)
CO4 -> F05	- 0 (without VF4; in this case, VF1 usually installed at the point of measurement of VF4)
CO4 -> F10	- 0 (DHW circulation return flow in storage tank)
CO5 -> F07	- 0 (without error message at terminal 29)
CO5 -> F34	<p>Function of the 0 to 10 V output:</p> <ul style="list-style-type: none"> <li>- Control signal Y1 (RK1)</li> <li>- External demand <span style="float: right;">When CO1 -&gt; F18 - 1</span></li> <li>- SLP speed <span style="float: right;">When CO4 -&gt; F21 - 1</span></li> </ul>

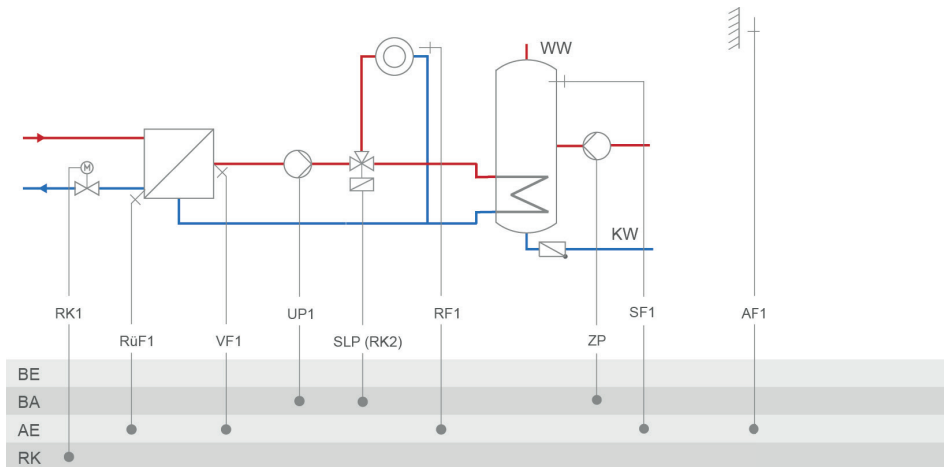
## Annex A (configuration instructions)

### System Anl 1.9



System	1.9
	Anlage <b>1.9</b> 
Default setting	
CO4 -> F01	- 0 (without SF1)
CO4 -> F03	- 0 (without RüF2)
CO4 -> F04	- 0 (without flow rate sensor)
CO5 -> F07	- 0 (without error message at terminal 23)
CO5 -> F34	Function of the 0 to 10 V output: - Control signal Y2 (RK2) - 10 V supply - External demand <span style="float: right;">When CO1 -&gt; F18 - 1</span>

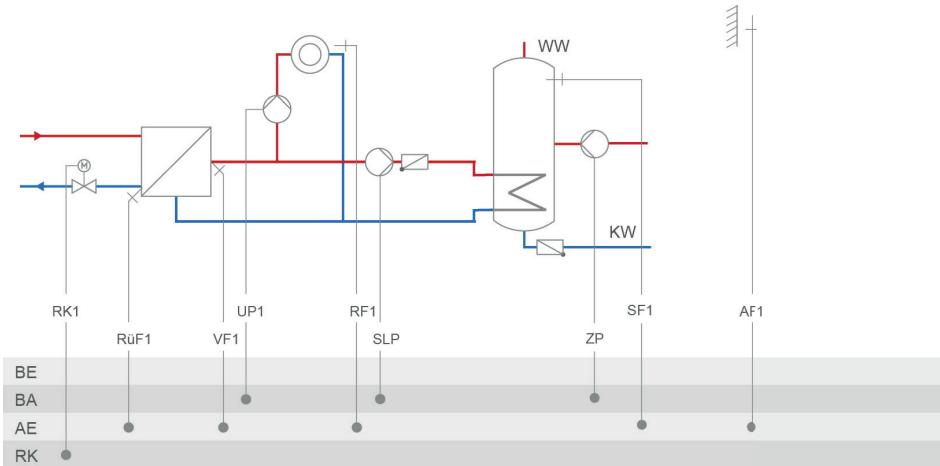
System Anl 2.0



System	2.0
	<p>Anlage <b>2.0</b></p>
Default setting	
CO1 -> F01	- 0 (without RF1)
CO1 -> F02	- 1 (with AF1)
CO1 -> F03	- 1 (with RüF1)
CO4 -> F01	- 1 (with SF1)
CO4 -> F02	- 0 (without SF2)
CO5 -> F07	- 0 (without error message at terminal 29)
CO5 -> F34	<p>Function of the 0 to 10 V output:</p> <ul style="list-style-type: none"> <li>- Control signal Y1 (RK1)</li> <li>- External demand</li> <li>- Outdoor temperature</li> </ul> <p style="text-align: right;">When CO1 -&gt; F18 - 1 When CO5 -&gt; F23 - 1 Direction = Output</p>

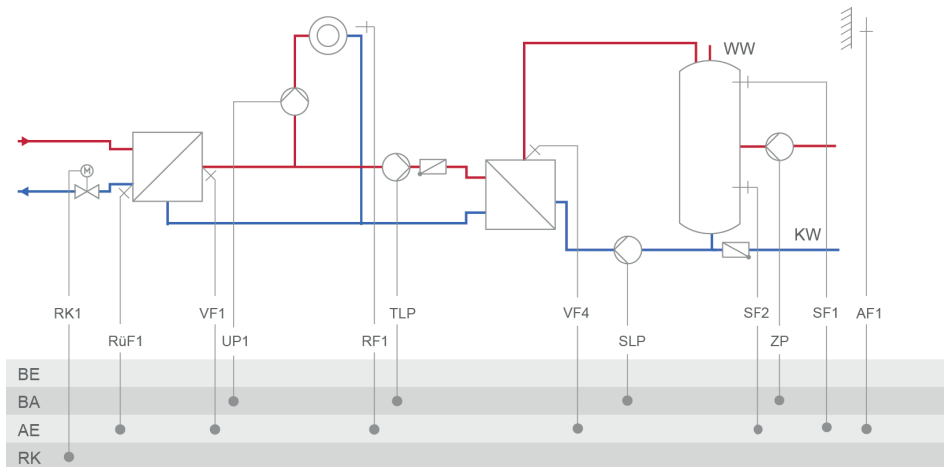
# Annex A (configuration instructions)

## System Anl 2.1



System	2.1
	<p>Anlage <b>2.1</b></p>
Default setting	
CO1 -> F01	- 0 (without RF1)
CO1 -> F02	- 1 (with AF1)
CO1 -> F03	- 1 (with RüF1)
CO4 -> F01	- 1 (with SF1)
CO4 -> F02	- 0 (without SF2)
CO5 -> F07	- 0 (without error message at terminal 29)
CO5 -> F34	<p>Function of the 0 to 10 V output:</p> <ul style="list-style-type: none"> <li>- Control signal Y1 (RK1)</li> <li>- External demand      When CO1 -&gt; F18 - 1</li> <li>- SLP speed                When CO4 -&gt; F21 - 1</li> <li>- Outdoor temperature    When CO5 -&gt; F23 - 1</li> </ul> <p>Direction = Output</p>

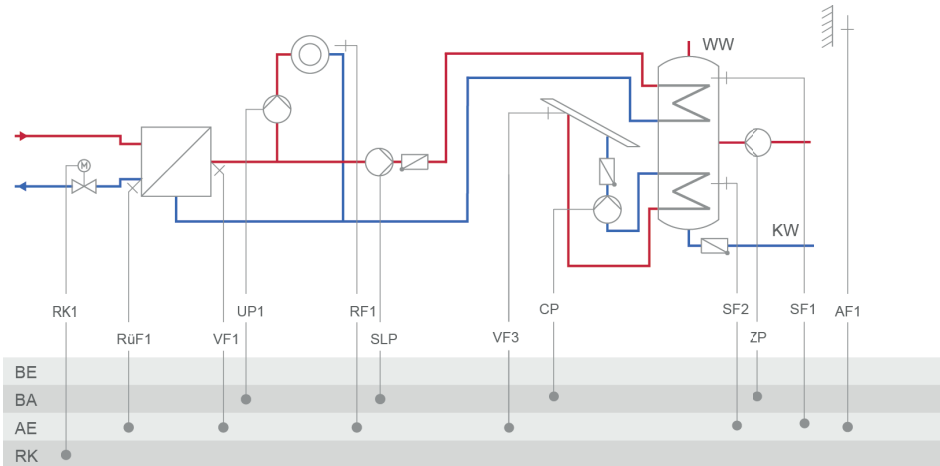
System Anl 2.2



System	2.2
	<p>Anlage <b>2.2</b></p>
Default setting	
CO1 -> F01	- 0 (without RF1)
CO1 -> F02	- 1 (with AF1)
CO1 -> F03	- 1 (with RüF1)
CO4 -> F01	- 1 (with SF1)
CO4 -> F02	- 1 (with SF2)
CO4 -> F05	- 0 (without VF4)
CO5 -> F07	- 0 (without error message at terminal 29)
CO5 -> F34	<p>Function of the 0 to 10 V output:</p> <ul style="list-style-type: none"> <li>- Control signal Y1 (RK1)</li> <li>- External demand                      When CO1 -&gt; F18 - 1</li> <li>- SLP speed                                      When CO4 -&gt; F21 - 1</li> <li>- Outdoor temperature                      When CO5 -&gt; F23 - 1</li> </ul> <p style="text-align: right;">Direction = Output</p>

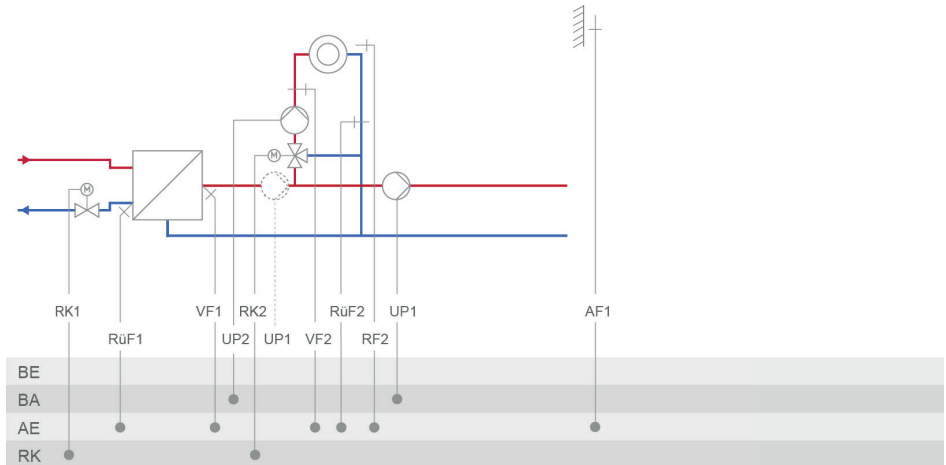
# Annex A (configuration instructions)

## System Anl 2.3



System	2.3
	<p>Anlage <b>2.3</b></p>
Default setting	
CO1 -> F01	- 0 (without RF1)
CO1 -> F02	- 1 (with AF1)
CO1 -> F03	- 1 (with RüF1)
CO4 -> F01	- 1 (with SF1)
CO5 -> F07	- 0 (without error message at terminal 29)
CO5 -> F34	<p>Function of the 0 to 10 V output:</p> <ul style="list-style-type: none"> <li>- Control signal Y1 (RK1)</li> <li>- External demand</li> <li>- SLP speed</li> <li>- Outdoor temperature</li> </ul> <p style="text-align: right;">                     When CO1 -&gt; F18 - 1                      When CO4 -&gt; F21 - 1                      When CO5 -&gt; F23 - 1                      Direction = Output                 </p>

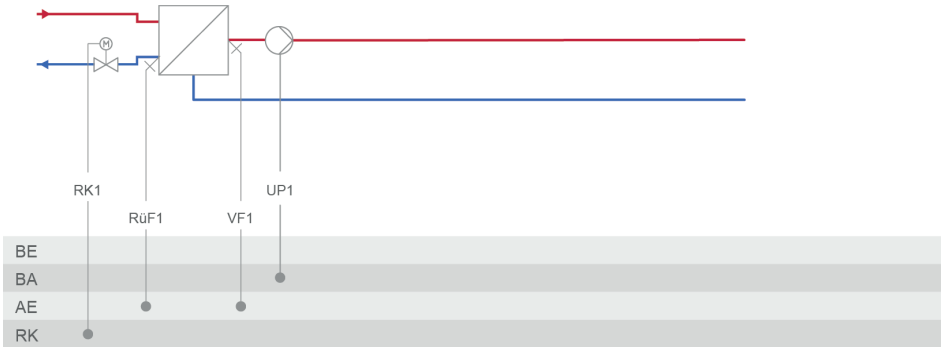
System Anl 3.0




<b>System</b>	<b>3.0</b>
	<p>Anlage <b>3.0</b></p>
<b>Default setting</b>	
CO1 -> F02	- 1 (with AF1)
CO1 -> F03	- 1 (with RüF1)
CO2 -> F01	- 0 (without RF2)
CO2 -> F02	- 1 (with AF1)
CO2 -> F03	- 0 (without RüF2)
CO5 -> F07	- 0 (without error message at terminal 23)
CO5 -> F14	- 0 (UP1 only active during the processing for an external demand)
CO5 -> F34	<p>Function of the 0 to 10 V output:</p> <ul style="list-style-type: none"> <li>- Control signal Y1 (RK1)</li> <li>- Control signal Y2 (RK2)</li> <li>- External demand                      When CO1 -&gt; F18 - 1</li> <li>- Outdoor temperature                      When CO5 -&gt; F23 - 1</li> </ul> <p style="text-align: right;">Direction = Output</p>

## Annex A (configuration instructions)

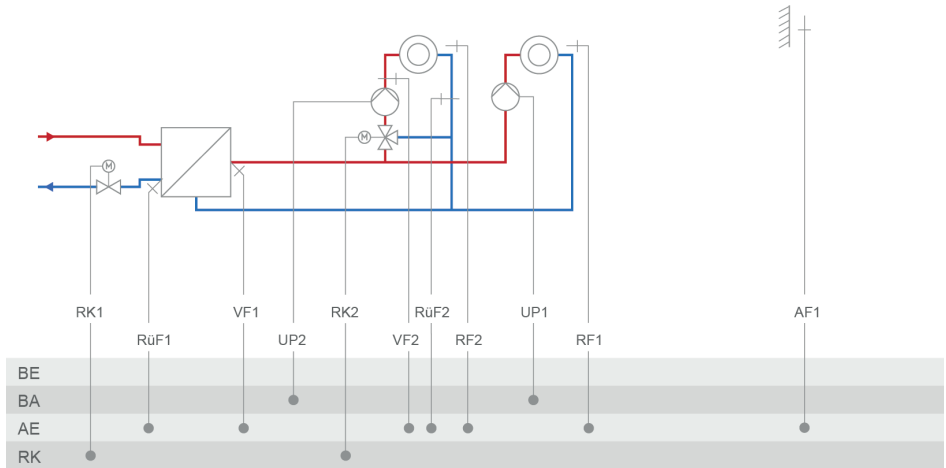
### System Anl 3.5



<b>System</b>	<b>3.5</b>
	Anlage <b>3.5</b> 
Note:	Closed control circuit and UP1 are only active during the processing for an external demand
<b>Default settings</b>	
CO1 -> F03	- 1 (with RUF1)
CO5 -> F07	- 0 (without error message at terminal 29)
CO5 -> F34	Function of the 0 to 10 V output: - Control signal Y1 (RK1) - External demand      When CO1 -> F18 - 1



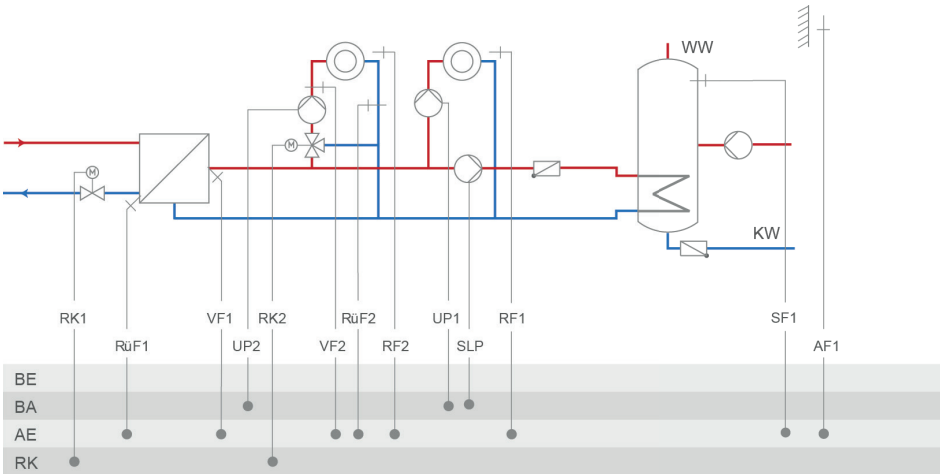
System Anl 4.0



System	4.0
	Anlage <b>4.0</b> 
Default setting	
CO1 -> F01	- 0 (without RF1)
CO1 -> F02	- 1 (with AF1)
CO1 -> F03	- 1 (with RüF1)
CO2 -> F01	- 0 (without RF2)
CO2 -> F02	- 1 (with AF1)
CO2 -> F03	- 0 (without RüF2)
CO5 -> F07	- 0 (without error message at terminal 23)
CO5 -> F34	Function of the 0 to 10 V output: - Control signal Y1 (RK1) - Control signal Y2 (RK2) - External demand                      When CO1 -> F18 - 1 - Outdoor temperature                      When CO5 -> F23 - 1 Direction = Output

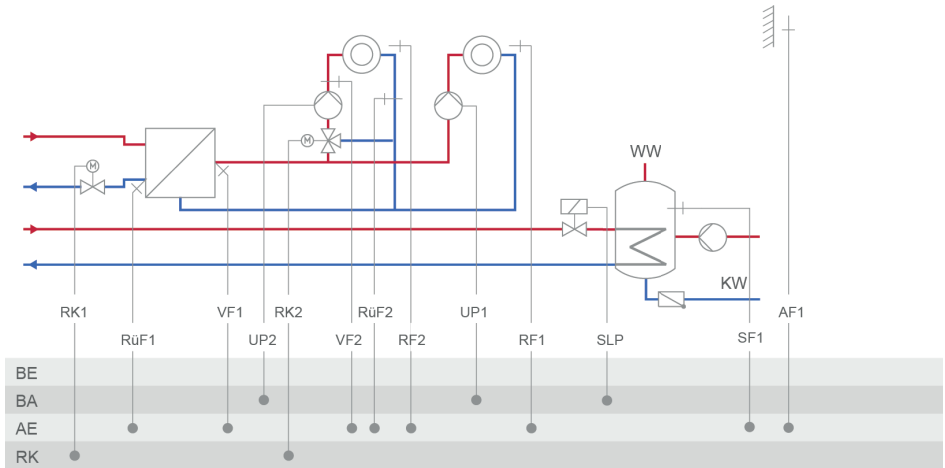
# Annex A (configuration instructions)

## System Anl 4.1



System	4.1
	Anlage <span style="background-color: black; color: white; padding: 2px;">4.1</span> 
Default setting	
CO1 -> F01	- 0 (without RF1)
CO1 -> F02	- 1 (with AF1)
CO1 -> F03	- 1 (with RüF1)
CO2 -> F01	- 0 (without RF2)
CO2 -> F02	- 1 (with AF1)
CO2 -> F03	- 0 (without RüF2)
CO4 -> F01	- 1 (with SF1)
CO4 -> F02	- 0 (without SF2)
CO5 -> F34	Function of the 0 to 10 V output: <ul style="list-style-type: none"> <li>- Control signal Y1 (RK1)</li> <li>- Control signal Y2 (RK2)</li> <li>- External demand</li> <li>- SLP speed</li> <li>- Outdoor temperature</li> </ul> <div style="display: flex; justify-content: flex-end; margin-top: 10px;"> <div style="margin-right: 20px;">When CO1 -&gt; F18 - 1</div> <div style="margin-right: 20px;">When CO4 -&gt; F21 - 1</div> <div>When CO5 -&gt; F23 - 1</div> </div> Direction = Output

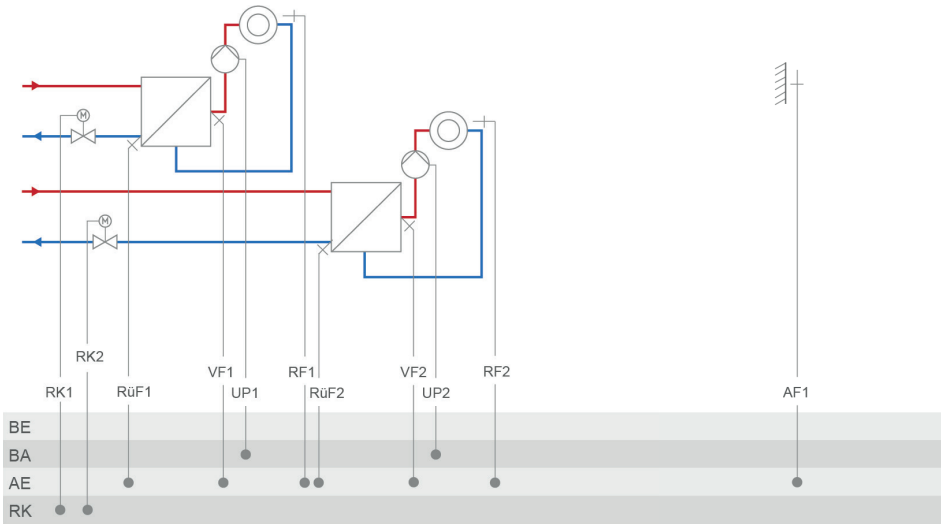
System Anl 4.5

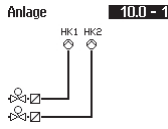


<b>System</b>	<b>4.5</b>
<b>Default setting</b>	
CO1 -> F01	- 0 (without RF1)
CO1 -> F02	- 1 (with AF1)
CO1 -> F03	- 1 (with RüF1)
CO2 -> F01	- 0 (without RF2)
CO2 -> F02	- 1 (with AF1)
CO2 -> F03	- 0 (without RüF2)
CO4 -> F01	- 1 (with SF1)
CO4 -> F02	- 0 (without SF2)
CO5 -> F34	<p>Function of the 0 to 10 V output:</p> <ul style="list-style-type: none"> <li>- Control signal Y1 (RK1)</li> <li>- Control signal Y2 (RK2)</li> <li>- External demand</li> <li>- Outdoor temperature</li> </ul> <p style="text-align: right;">                     When CO1 -&gt; F18 - 1                      When CO5 -&gt; F23 - 1                      Direction = Output                 </p>

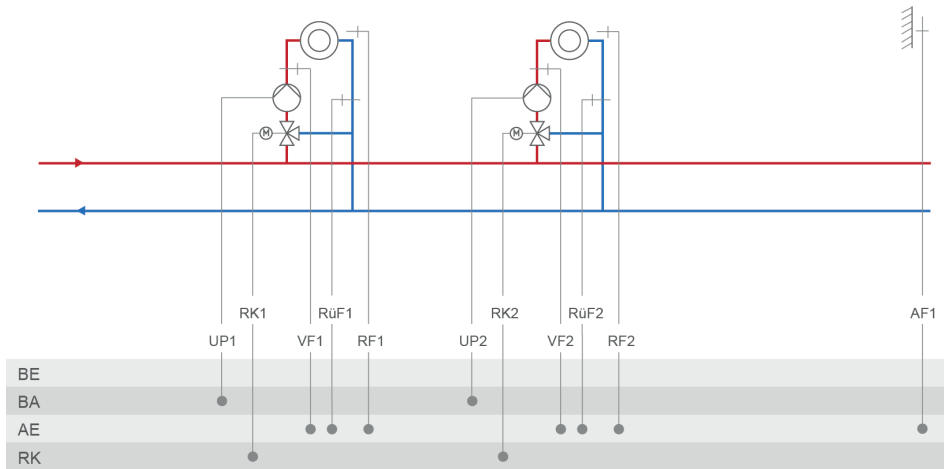
## Annex A (configuration instructions)

### System Anl 10.0-1



System	10.0-1
	<p>Anlage </p>
Default setting	
CO1 -> F01	- 0 (without RF1)
CO1 -> F02	- 1 (with AF1)
CO1 -> F03	- 1 (with RüF1)
CO2 -> F01	- 0 (without RF2)
CO2 -> F02	- 1 (with AF1)
CO2 -> F03	- 1 (with RüF2)
CO5 -> F07	- 0 (without error message at terminal 23)
CO5 -> F34	<p>Function of the 0 to 10 V output:</p> <ul style="list-style-type: none"> <li>- Control signal Y1 (RK1)</li> <li>- Control signal Y2 (RK2)</li> <li>- External demand</li> <li>- Outdoor temperature</li> </ul> <p style="text-align: right;">When CO1 -&gt; F18 - 1 When CO5 -&gt; F23 - 1 Direction = Output</p>

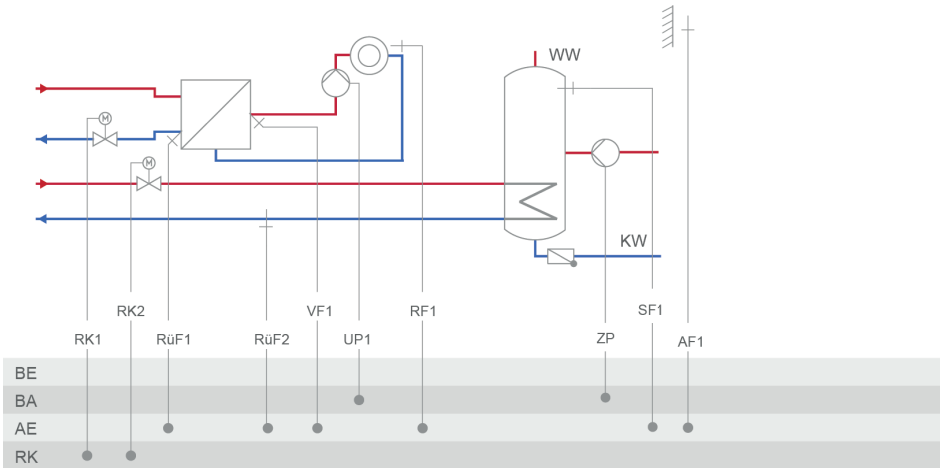
System Anl 10.0-2



System	10.0-2
	Anlage <b>10.0-2</b> 
Default setting	
CO1 -> F01	- 0 (without RF1)
CO1 -> F02	- 1 (with AF1)
CO1 -> F03	- 1 (with RüF1)
CO2 -> F01	- 0 (without RF2)
CO2 -> F02	- 1 (with AF1)
CO2 -> F03	- 1 (with RüF2)
CO5 -> F07	- 0 (without error message at terminal 23)
CO5 -> F34	Function of the 0 to 10 V output: - Control signal Y1 (RK1) - Control signal Y2 (RK2) - External demand                      When CO1 -> F18 - 1 - Outdoor temperature                      When CO5 -> F23 - 1 Direction = Output

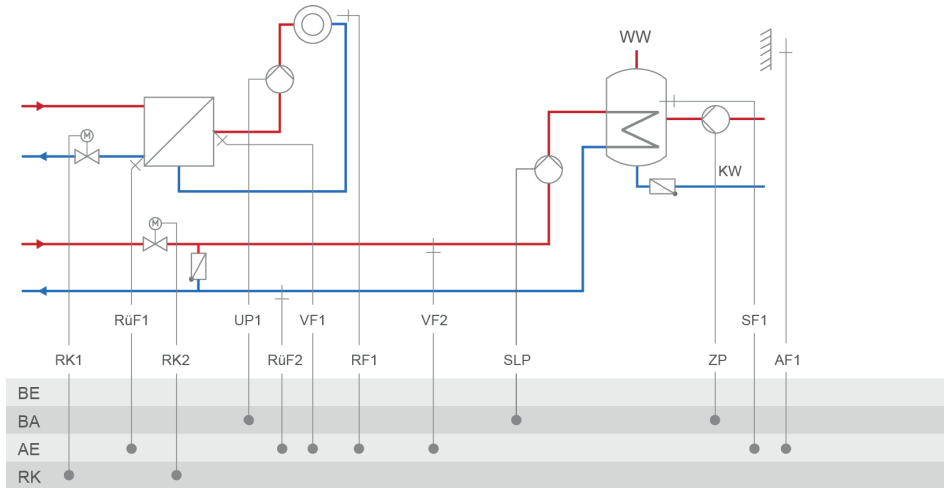
## Annex A (configuration instructions)

### System Anl 11.0



System	11.0
	Anlage <b>11.0</b> 
Default setting	
CO1 -> F01	- 0 (without RF1)
CO1 -> F02	- 1 (with AF1)
CO1 -> F03	- 1 (with RüF1)
CO4 -> F03	- 0 (without RüF2)
CO5 -> F07	- 0 (without error message at terminal 23)
CO5 -> F34	Function of the 0 to 10 V output: - Control signal Y1 (RK1) - Control signal Y2 (RK2) - External demand      When CO1 -> F18 - 1 - Outdoor temperature      When CO5 -> F23 - 1 Direction = Output

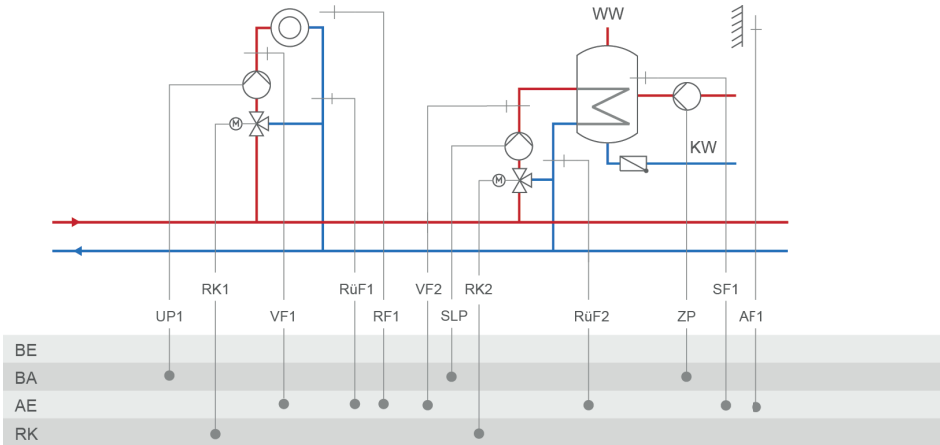
System Anl 11.1-1



<b>System</b>	<b>11.1-1</b>
	<p>Anlage </p>
<b>Default setting</b>	
CO1 -> F01	- 0 (without RF1)
CO1 -> F02	- 1 (with AF1)
CO1 -> F03	- 1 (with RüF1)
CO4 -> F01	- 1 (with SF1)
CO4 -> F02	- 0 (without SF2)
CO4 -> F03	- 0 (without RüF2)
CO5 -> F34	<p>Function of the 0 to 10 V output:</p> <ul style="list-style-type: none"> <li>- Control signal Y1 (RK1)</li> <li>- Control signal Y2 (RK2)</li> <li>- External demand</li> <li>- SLP speed</li> <li>- Outdoor temperature</li> </ul> <p style="text-align: right;">                     When CO1 -&gt; F18 - 1                      When CO4 -&gt; F21 - 1                      When CO5 -&gt; F23 - 1                      Direction = Output                 </p>

## Annex A (configuration instructions)

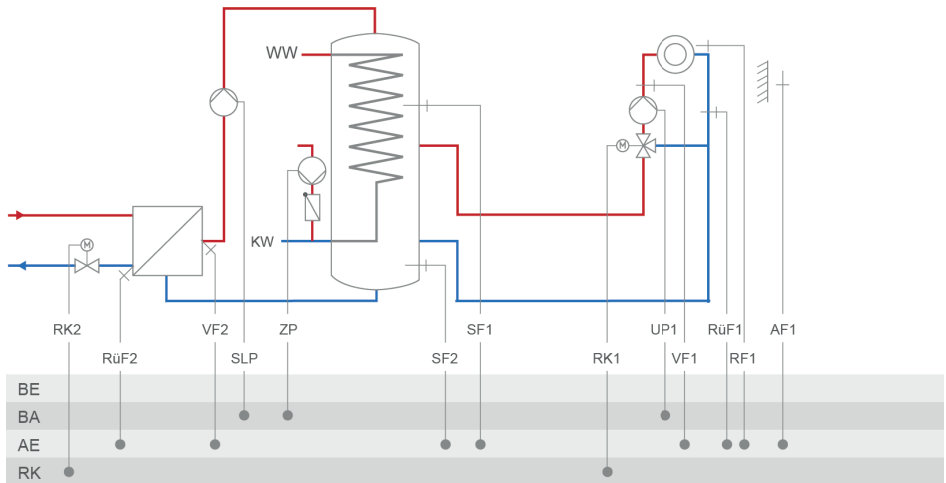
### System Anl 11.1-2

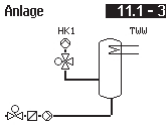


<b>System</b>	<b>11.1-2</b>
	<p>Anlage <b>11.1-2</b></p>
<b>Default setting</b>	
CO1 -> F01	- 0 (without RF1)
CO1 -> F02	- 1 (with AF1)
CO1 -> F03	- 1 (with RüF1)
CO4 -> F01	- 1 (with SF1)
CO4 -> F02	- 0 (without SF2)
CO4 -> F03	- 0 (without RüF2)
CO5 -> F34	<p>Function of the 0 to 10 V output:</p> <ul style="list-style-type: none"> <li>- Control signal Y1 (RK1)</li> <li>- Control signal Y2 (RK2)</li> <li>- External demand</li> <li>- SLP speed</li> <li>- Outdoor temperature</li> </ul> <p style="text-align: right;">             When CO1 -&gt; F18 - 1              When CO4 -&gt; F21 - 1              When CO5 -&gt; F23 - 1              Direction = Output         </p>



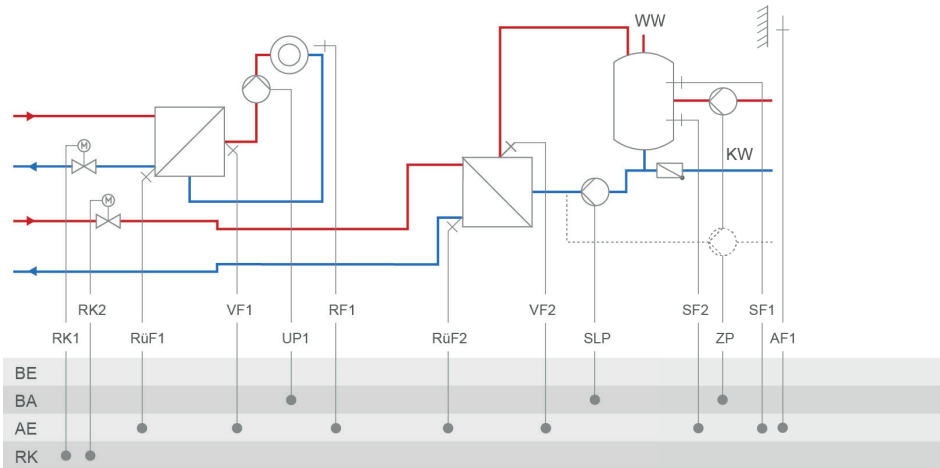
System Anl 11.1-3



<b>System</b>	<b>11.1-3</b>
	Anlage 
<b>Default setting</b>	
CO1 -> F01	- 0 (without RF1)
CO1 -> F02	- 1 (with AF1)
CO1 -> F03	- 1 (with RüF1)
CO4 -> F01	- 1 (with SF1)
CO4 -> F02	- 0 (without SF2)
CO4 -> F03	- 0 (without RüF2)
CO5 -> F34	Function of the 0 to 10 V output: <ul style="list-style-type: none"> <li>- Control signal Y1 (RK1)</li> <li>- Control signal Y2 (RK2)</li> <li>- External demand</li> <li>- SLP speed</li> <li>- Outdoor temperature</li> </ul> <div style="display: flex; justify-content: space-between; margin-top: 10px;"> <div></div> <div>When CO1 -&gt; F18 - 1</div> </div> <div style="display: flex; justify-content: space-between; margin-top: 10px;"> <div></div> <div>When CO4 -&gt; F21 - 1</div> </div> <div style="display: flex; justify-content: space-between; margin-top: 10px;"> <div></div> <div>When CO5 -&gt; F23 - 1</div> </div> <div style="display: flex; justify-content: space-between; margin-top: 10px;"> <div></div> <div>Direction = Output</div> </div>

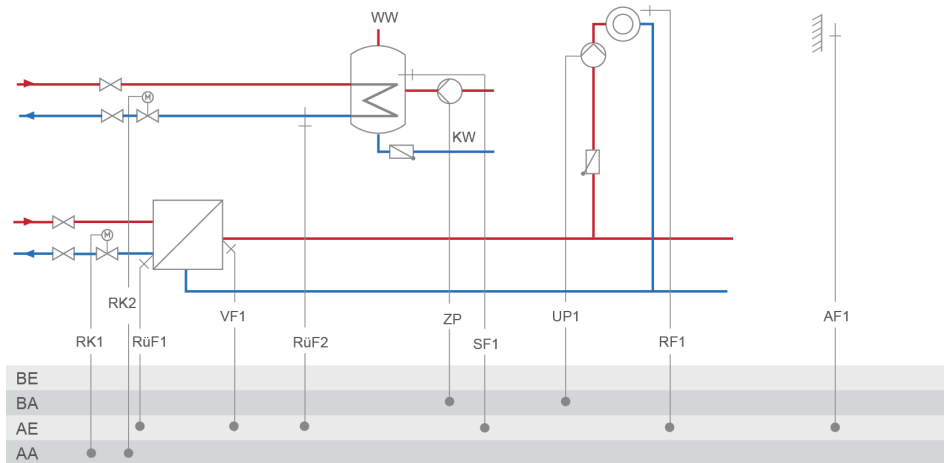
## Annex A (configuration instructions)

### System Anl 11.2



System	11.2
	<p>Anlage <b>11.2</b></p>
Default setting	
CO1 -> F01	- 0 (without RF1)
CO1 -> F02	- 1 (with AF1)
CO1 -> F03	- 1 (with RüF1)
CO4 -> F01	- 1 (with SF1)
CO4 -> F02	- 1 (with SF2)
CO4 -> F03	- 0 (without RüF2)
CO4 -> F10	- 0 (DHW circulation return flow in storage tank)
CO5 -> F34	<p>Function of the 0 to 10 V output:</p> <ul style="list-style-type: none"> <li>- Control signal Y1 (RK1)</li> <li>- Control signal Y2 (RK2)</li> <li>- External demand</li> <li>- SLP speed</li> <li>- Outdoor temperature</li> </ul> <p style="text-align: right;">                     When CO1 -&gt; F18 - 1                      When CO4 -&gt; F21 - 1                      When CO5 -&gt; F23 - 1                      Direction = Output                 </p>

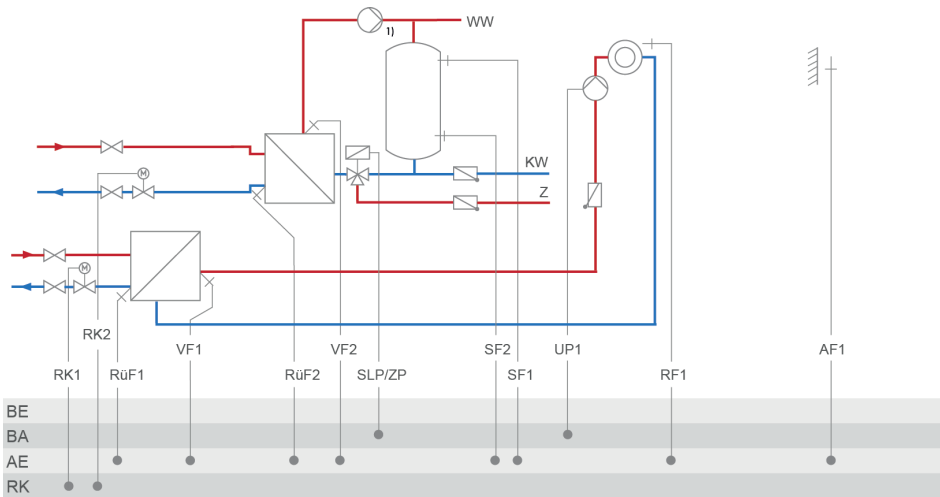
System Anl 11.5



<b>System</b>	<b>11.5</b>
	<p>Anlage <b>11.5</b></p>
Note:	DHW circuit with adjustable valve position for storage tank charging in absolute priority operation. By using RüF2, the ready-adjusted valve position is subject to the return flow temperature limitation.
<b>Default setting</b>	
CO1 -> F01	- 0 (without RF1)
CO1 -> F02	- 1 (with AF1)
CO4 -> F02	- 0 (without SF2)
CO4 -> F03	- 1 (with RüF2)
CO5 -> F34	<p>Function of the 0 to 10 V output:</p> <ul style="list-style-type: none"> <li>- Control signal Y1 (RK1)</li> <li>- Control signal Y2 (RK2)</li> <li>- External demand</li> <li>- Outdoor temperature</li> </ul> <p style="text-align: right;">When CO1 -&gt; F18 - 1 When CO5 -&gt; F23 - 1 Direction = Output</p>

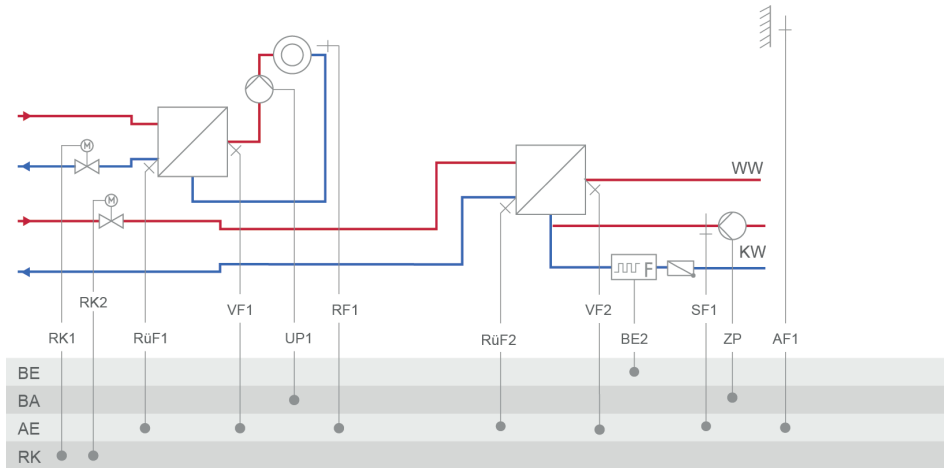
## Annex A (configuration instructions)

### System Anl 11.6



System	11.6
	<p>Anlage <b>11.6</b></p>
1) Note:	Install a continuously running pump in the DHW circuit and connect it directly to the supply voltage.
<b>Default setting</b>	
CO1 -> F01	- 0 (without RF1)
CO1 -> F02	- 1 (with AF1)
CO1 -> F03	- 1 (with RüF1)
CO4 -> F01	- 1 (with SF1)
CO4 -> F02	- 1 (with SF2)
CO4 -> F03	- 0 (without RüF2)
CO5 -> F34	<p>Function of the 0 to 10 V output:</p> <ul style="list-style-type: none"> <li>- Control signal Y1 (RK1)</li> <li>- Control signal Y2 (RK2)</li> <li>- External demand</li> <li>- Outdoor temperature</li> </ul> <p style="text-align: right;">When CO1 -&gt; F18 - 1 When CO5 -&gt; F23 - 1 Direction = Output</p>

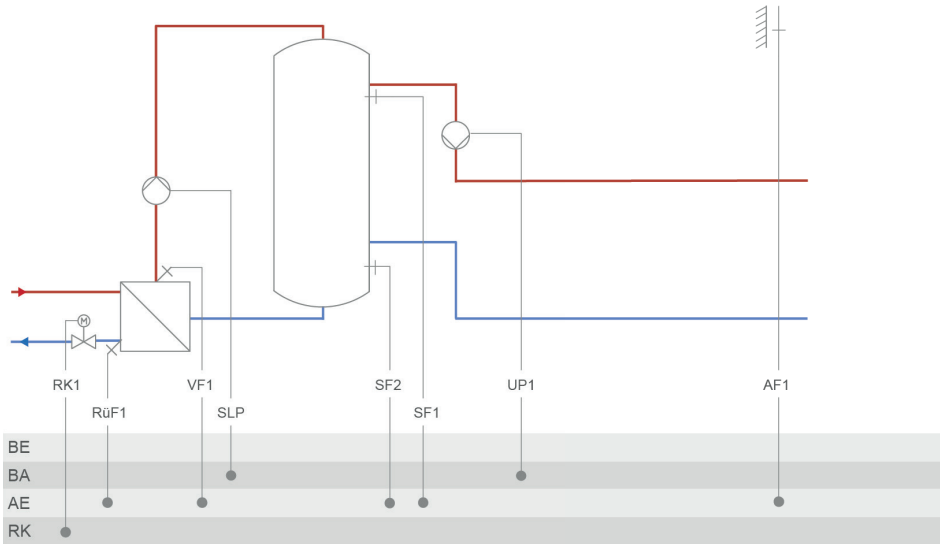
System Anl 11.9



System	
	<p><b>11.9</b></p> <p>Anlage <b>11.9</b></p>
Default setting	
CO1 -> F01	- 0 (without RF1)
CO1 -> F02	- 1 (with AF1)
CO1 -> F03	- 1 (with RüF1)
CO4 -> F01	- 0 (without SF1)
CO4 -> F03	- 0 (without RüF2)
CO4 -> F04	- 0 (without flow rate sensor)
CO5 -> F07	- 0 (without error message at terminal 23)
CO5 -> F34	<p>Function of the 0 to 10 V output:</p> <ul style="list-style-type: none"> <li>- Control signal Y1 (RK1)</li> <li>- Control signal Y2 (RK2)</li> <li>- 10 V supply</li> <li>- External demand</li> <li>- Outdoor temperature</li> </ul> <p style="text-align: right;">When CO1 -&gt; F18 - 1 When CO5 -&gt; F23 - 1 Direction = Output</p>

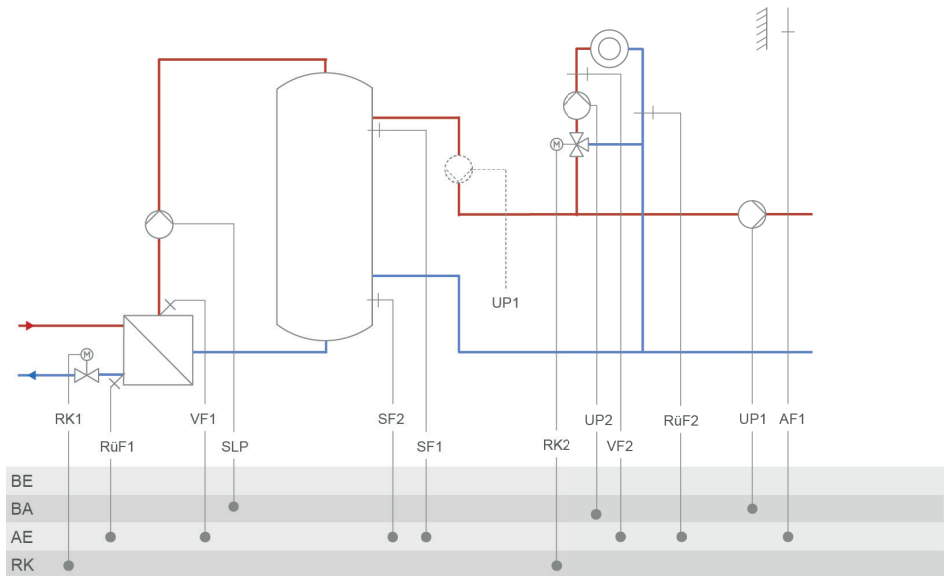
# Annex A (configuration instructions)

## System Anl 16.0



<b>System</b>	<b>16.0</b>
	Anlage <b>16.0</b> HK1 
<b>Default setting</b>	
CO1 -> F02	- 1 (with AF1)
CO1 -> F03	- 1 (with RUF1)
CO1 -> F06	- 1 (with SF2)
CO5 -> F07	- 0 (without error message at terminal 29)
CO5 -> F34	Function of the 0 to 10 V output: <ul style="list-style-type: none"> <li>- Control signal Y1 (RK1)</li> <li>- SLP speed <span style="float: right;">When CO1 -&gt; F21 - 1</span></li> <li>- Differential temperature control <span style="float: right;">When CO1 -&gt; F23 - 1</span></li> <li>- External demand <span style="float: right;">When CO1 -&gt; F18 - 1</span></li> <li>- Outdoor temperature <span style="float: right;">When CO5 -&gt; F23 - 1</span></li> </ul> Direction = Output

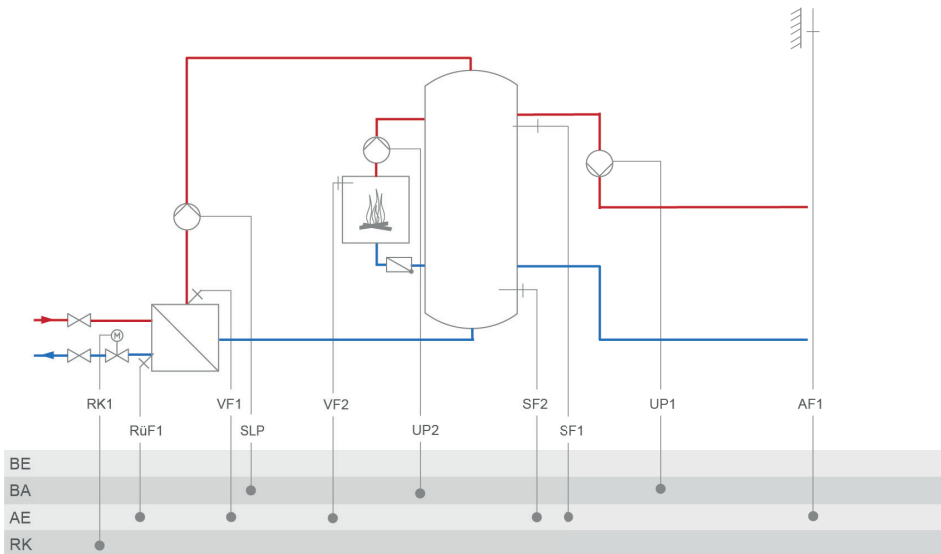
System Anl 16.1

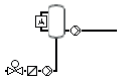


<b>System</b>	<b>16.1</b>
	<p>Anlage <b>16.1</b></p>
<b>Default setting</b>	
CO1 -> F02	- 1 (with AF1)
CO1 -> F03	- 1 (with RüF1)
CO1 -> F06	- 1 (with SF2)
CO2 -> F02	- 1 (with AF1)
CO2 -> F03	- 0 (without RüF2)
CO5 -> F34	<p>Function of the 0 to 10 V output:</p> <ul style="list-style-type: none"> <li>- Control signal Y1 (RK1)</li> <li>- Control signal Y2 (RK2)</li> <li>- SLP speed</li> <li>- External demand</li> <li>- Outdoor temperature</li> </ul> <p style="text-align: right;">                     When CO1 -&gt; F21 - 1                      When CO1 -&gt; F18 - 1                      When CO5 -&gt; F23 - 1                      Direction = Output                 </p>

# Annex A (configuration instructions)

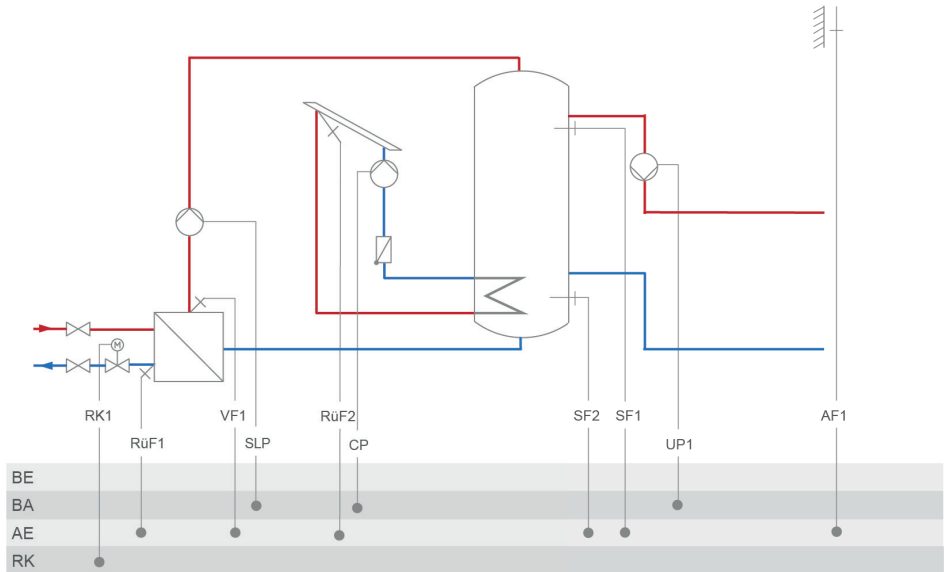
## System Anl 16.2



System	16.2
	Anlage <b>16.2</b> HK1 
<b>Default setting</b>	
CO1 -> F02	- 1 (with AF1)
CO1 -> F03	- 1 (with RüF1)
CO1 -> F06	- 1 (with SF2)
CO5 -> F07	- 0 (without error message at terminal 29)
CO5 -> F34	Function of the 0 to 10 V output: - Control signal Y1 (RK1) - SLP speed                                      When CO1 -> F21 - 1 - External demand                                When CO1 -> F18 - 1 - Outdoor temperature                            When CO5 -> F23 - 1 Direction = Output



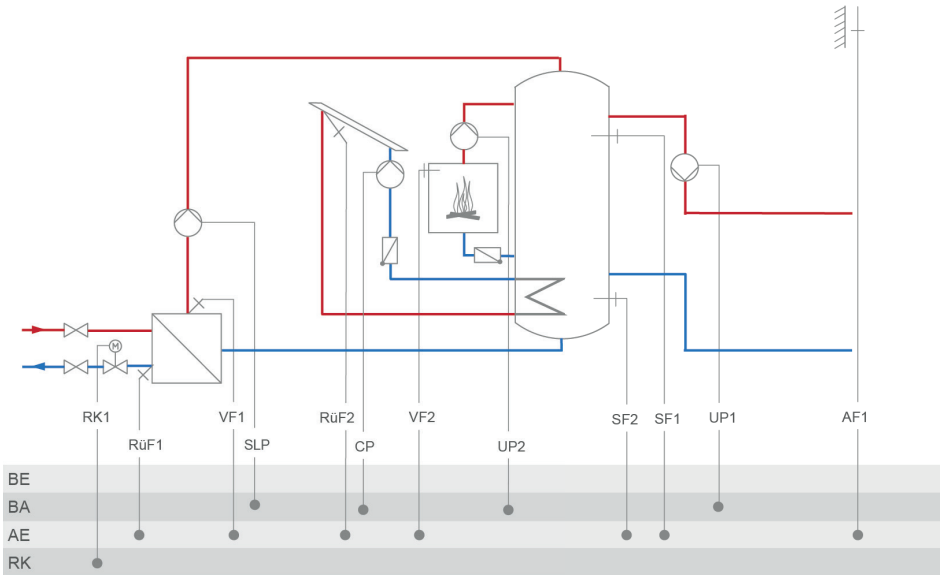
System Anl 16.3



<b>System</b>	<b>16.3</b>
	<p>Anlage <b>16.3</b></p>
<b>Default setting</b>	
CO1 -> F02	- 1 (with AF1)
CO1 -> F03	- 1 (with RüF1)
CO1 -> F06	- 1 (with SF2)
CO5 -> F07	- 0 (without error message at terminal 29)
CO5 -> F34	<p>Function of the 0 to 10 V output:</p> <ul style="list-style-type: none"> <li>- Control signal Y1 (RK1)</li> <li>- SLP speed</li> <li>- External demand</li> <li>- Outdoor temperature</li> </ul> <p style="text-align: right;">                 When CO1 -&gt; F21 - 1                  When CO1 -&gt; F18 - 1                  When CO5 -&gt; F23 - 1                  Direction = Output             </p>

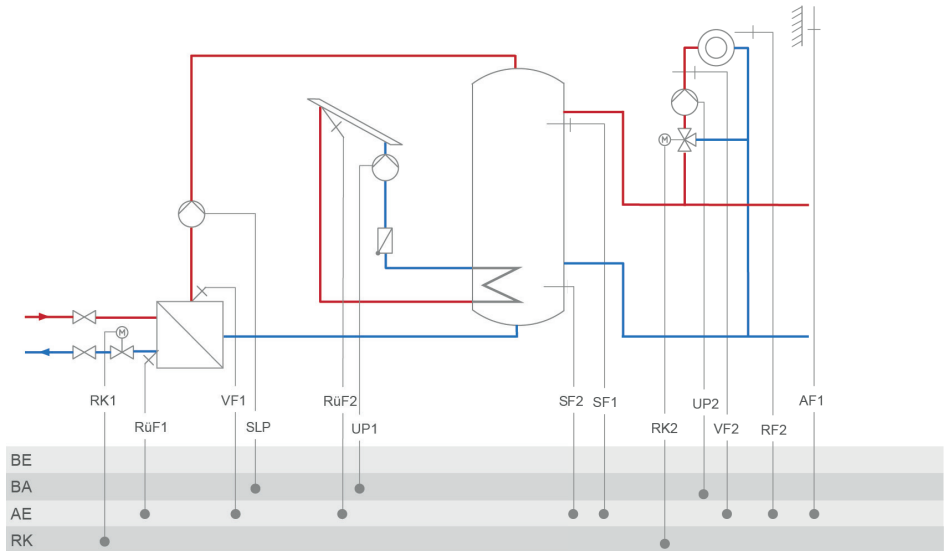
# Annex A (configuration instructions)

## System Anl 16.4



<b>System</b>	<b>16.4</b>
	<p>Anlage <b>16.4</b></p>
<b>Default setting</b>	
CO1 -> F02	- 1 (with AF1)
CO1 -> F03	- 1 (with RüF1)
CO1 -> F06	- 1 (with SF2)
CO5 -> F07	- 0 (without error message at terminal 29)
CO5 -> F34	<p>Function of the 0 to 10 V output:</p> <ul style="list-style-type: none"> <li>- Control signal Y1 (RK1)</li> <li>- SLP speed</li> <li>- External demand</li> <li>- Outdoor temperature</li> </ul> <p style="text-align: right;">                 When CO1 -&gt; F21 - 1                  When CO1 -&gt; F18 - 1                  When CO5 -&gt; F23 - 1                  Direction = Output             </p>

System Anl 16.6



<b>System</b>	<b>16.6</b>
	<p>Anlage <b>16.6</b></p>
<b>Default setting</b>	
CO1 -> F02	- 1 (with AF1)
CO1 -> F03	- 1 (with RüF1)
CO1 -> F06	- 1 (with SF2)
CO2 -> F02	- 1 (with AF1)
CO2 -> F03	- 0 (without RüF2)
CO5 -> F34	<p>Function of the 0 to 10 V output:</p> <ul style="list-style-type: none"> <li>- Control signal Y1 (RK1)</li> <li>- Control signal Y2 (RK2)</li> <li>- SLP speed</li> <li>- External demand</li> <li>- Outdoor temperature</li> </ul> <p style="text-align: right;">                     When CO1 -&gt; F21 - 1                      When CO1 -&gt; F18 - 1                      When CO5 -&gt; F23 - 1                      Direction = Output                 </p>

## 16.2 Functions of the heating circuit

Which controller functions are available depends on the selected system code number (Anl).

### 16.2.1 Outdoor-temperature-compensated control

When outdoor-temperature-compensated control is used, the flow temperature is controlled based on the outdoor temperature. The heating characteristic in the controller defines the flow temperature set point as a function of the outdoor temperature (see Fig. 16-2). The outdoor temperature required for outdoor-temperature-compensated control can either be measured at an outdoor sensor or received over the 0 to 10 V input.

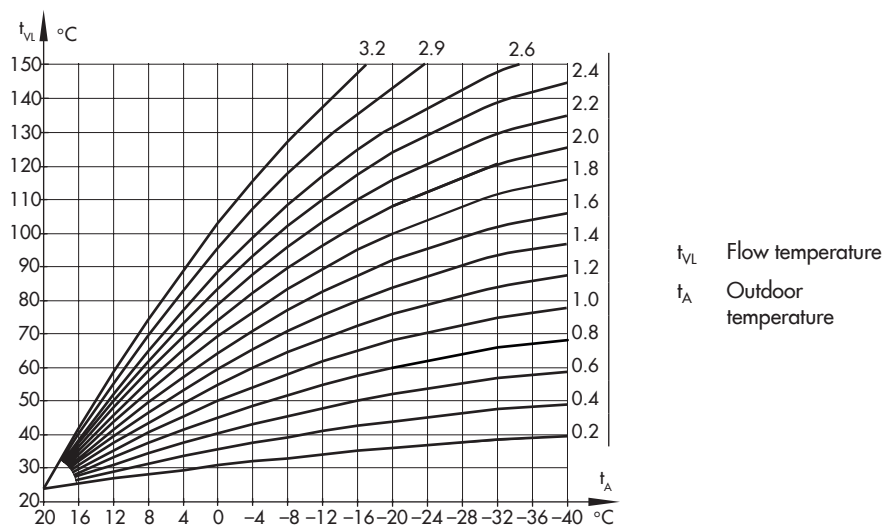


Fig. 16-2: Gradient characteristics

### 16.2.1.1 Outdoor temperature received or sent as 0 to 10 V signal

The outdoor temperature can be received over the 0 to 10 V input.

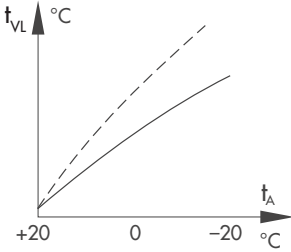
Alternatively, the temperature measured by the outdoor sensor can be issued as a 0 to 10 V signal.

The zero of the 0 to 10 V input and output signals can be shifted, if required.

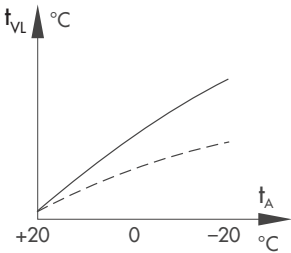
Functions	Default	Configuration
Outdoor sensor AF1	1	CO1, 2 -> F02 - 1
Outdoor temperature received or sent as 0 to 10 V signal	0	CO5 -> F23 - 1
	Input	Direction: input (receive)
	-20 °C	Lower transmission range: -50 to 100 °C
AI1 Zero shift	50 °C	Upper transmission range: -50 to 100 °C
	0	CO5 -> F31 - 1
Outdoor temperature received or sent as 0 to 10 V signal	5 %	Zero: 5 to 20 %
	0	CO5 -> F23 - 1
	Input	Direction: output (send)
	-20 °C	Lower transmission range: -50 to 100 °C
AA1 reverse	50 °C	Upper transmission range: -50 to 100 °C
	0	CO5 -> F25 - 0
AA1 PWM	0 %	Zero: 0 to 50 %
	0	CO5 -> F34 - 0
		Function: outdoor temperature

### 16.2.1.2 Gradient characteristic

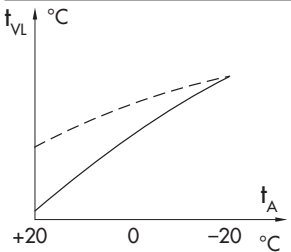
Basically, the following rule applies: a decrease in the outdoor temperature causes the flow temperature to increase in order to keep the room temperature constant. By varying the gradient and level parameters, you can adapt the characteristic to your individual requirements:



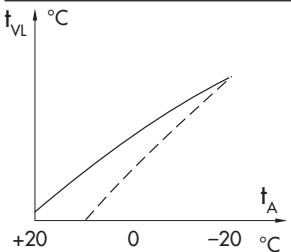
The gradient needs to be increased if the room temperature drops when it is cold outside.



The gradient needs to be decreased if the room temperature drops when it is cold outside.



The level needs to be increased and the gradient decreased if the room temperature drops when it is mild outside.



The level needs to be decreased and the gradient increased if the room temperature rises when it is mild outside.

Outside the times-of-use, reduced set points are used for control: the reduced flow set point is calculated as the difference between the adjusted values for 'Day set point' (rated room temperature) and 'Night set point' (reduced room temperature). The 'Max. flow temperature' and 'Min. flow temperature' parameters mark the upper and lower limits of the flow temperature. A separate gradient characteristic can be selected for the limitation of the return flow temperature.

**Examples for adjusting the characteristic:**

- Old building, radiator design 90/70: Gradient approx. 1.8
- New building, radiator design 70/55: Gradient approx. 1.4
- New building, radiator design 55/45: Gradient approx. 1.0
- Underfloor heating depending on arrangement: Gradient smaller than <0.5

**i Note**

Particularly for control operation without room sensor, the room temperatures set for day ('Day set point') and night ('Night set point') only become effective satisfactorily when the heating characteristic has been adapted to the building/heating surface layout.

Functions	Default	Configuration
Four-point characteristic	0	CO1, 2 -> F11 - 0
Parameters	Default	Switch position: value range
Day set point	20.0 °C	↓☀: 0.0 to 40.0 °C
Night set point	15.0 °C	↓☾: 0.0 to 40.0 °C
Parameters	Default	Parameters: value range
Flow gradient	1.2 <sup>1)</sup>	PA1, 2 -> P01:0.2 to 3.2
Level (parallel shift)	0.0 °C	PA1, 2 -> P02:-30.0 to 30.0 °C
Min. flow temperature	20.0 °C	PA1, 2 -> P06:-5.0 to 150.0 °C
Max. flow temperature	90.0 °C <sup>1)</sup>	PA1, 2 -> P07:5.0 to 150.0 °C
<sup>1)</sup> With CO1, 2 -> F05-1 the following applies:	Gradient: 0.2 to 1.0 (0.5)	Max. flow temperature: 5.0 to 50.0 °C (50.0 °C)

### 16.2.1.3 Four-point characteristic

The four-point characteristic allows you to define your own heating characteristic. It is defined by four points for the outdoor temperature, flow temperature, reduced flow temperature and return flow temperature. The 'Max. flow temperature' and 'Min. flow temperature' parameters mark the upper and lower limits of the flow temperature.

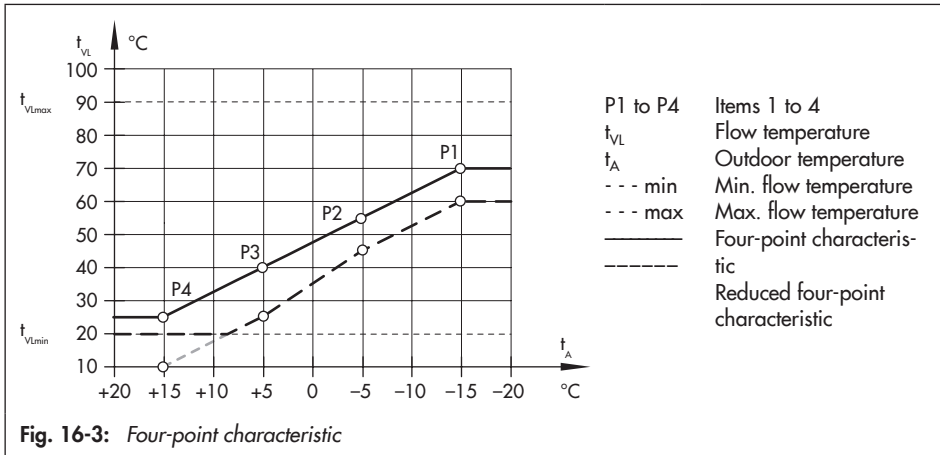


Fig. 16-3: Four-point characteristic

**Note**

- The 'Day set point' and 'Night set point' parameters are no longer available when the four-point characteristic has been selected when no additional functions (e.g. **optimization** or **flash adaptation**) have been selected.
- The **four-point characteristic** function can only be activated when the **adaptation** function is not active (CO1, 2 -> F08 - 0).

Functions	Default	Configuration
Adaptation	0	CO1, 2 -> F08 - 0
Four-point characteristic	0	CO1, 2 -> F11 - 1

Parameters	Default	Parameters: value range
Outdoor temperature	Point 1 Point 2 Point 3 Point 4	-15.0 °C -5.0 °C 5.0 °C 15.0 °C PA1, 2 -> P05:-50.0 to 50.0 °C



Parameters		Default	Parameters: value range
Flow temperature	Point 1	70.0 °C	PA1, 2 -> P05: -5.0 to 150.0 °C
	Point 2	55.0 °C	
	Point 3	40.0 °C	
	Point 4	25.0 °C	
Reduced flow temperature	Point 1	60.0 °C	PA1, 2 -> P05: -5.0 to 150.0 °C
	Point 2	40.0 °C	
	Point 3	20.0 °C	
	Point 4	20.0 °C	
Return flow temperature	Points 1 to 4	65.0 °C	PA1, 2 -> P05: 5.0 to 90.0 °C
Min. flow temperature		20.0 °C	PA1, 2 -> P06: -5.0 to 150.0 °C
Max. flow temperature		70.0 °C <sup>1)</sup>	PA1, 2 -> P07: 5.0 to 150.0 °C
<sup>1)</sup> With CO1, 2 -> F05-1 the following applies:		Max. flow temperature: 5.0 to 50.0 °C (50.0 °C)	

## 16.2.2 Fixed set point control

During the times-of-use, the flow temperature can be controlled according to a fixed set point. Outside the times-of-use, the controller regulates to a reduced flow temperature. Set the desired rated flow temperature as 'Day set point' and the reduced flow temperature as 'Night set point'.

Functions	Default	Configuration
Outdoor sensor AF1		CO1, 2 -> F02 - 0
Parameters	Default	Switch position: value range
Day set point	50.0 °C	↓☀: Min. to max. flow temperature
Night set point	30.0 °C	↓☾: Min. to max. flow temperature
Parameters	Default	Parameters: value range
Min. flow temperature	20.0 °C	PA1, 2 -> P06: -5.0 to 150.0 °C
Max. flow temperature	70.0 °C	PA1, 2 -> P07: 5.0 to 150.0 °C

### 16.2.3 Underfloor heating/drying of jointless floors

Using function block setting CO1, 2 -> F05 - 1, the respective heating circuit is configured as an underfloor heating circuit. In doing so, the controller at first only limits the value ranges of the heating characteristic gradient and the maximum flow temperature in PA1, 2 parameter levels:

- Value range of the gradient: 0.2 to 1.0
- Value range of the maximum flow temperature: 5 to 50 °C

Furthermore, it is possible to set a Boost between 0.0 to 50 °C, which is additionally taken into account when there is a heat demand for the underfloor heating circuit of an upstream control circuit. The **Drying of jointless floors** function can be activated afterwards. The function block parameters (starting with the 'Start temperature') determine the drying process: the first heating up phase starts at the entered 'Start temperature', which has a flow temperature of 25 °C in its default setting. The start temperature is constantly regulated for the days entered in 'Hold (days)'. Afterwards, this temperature is raised by the value entered in 'Temp. rise/day' within 24 hours, i.e. the default setting causes the flow temperature set point to rise to 30 °C 24 hours after the holding phase. If the maximum temperature is reached, it is kept constant for the number of days entered in 'Hold (days)'. The 'Temp. reduction/day' parameter determines the temperature reduction downwards. If the 'Temp. reduction/day' is set to 0, the temperature maintaining phase moves directly to automatic mode. If the function block parameter 'Start temperature' is set to 25 °C and 'Temp. rise/day' to 0.0 °C, the drying functions runs as specified in Part 4 of DIN EN 1264: the drying of jointless floors function starts with a flow temperature of 25 °C, which is kept constant for three days. Afterwards, the controller switches to the maximum adjusted temperature. The further process remains unchanged. The **drying of jointless floors** function is activated using the adjusted 'Start temperature' by changing the setting 'Stop' to 'Start'. 'Start' is displayed when the drying function starts. The restarting stages 'Build-up', 'Hold' (holding the maximum temperature) and 'Reduction' can be selected to continue an interrupted drying process. The course of the drying process can be monitored in the operating level by reading the measured data of the associated heating circuit.

<b>CO1</b>	▣▣▣▣▣▣▣▣▣▣▣▣▣▣
Hold (days)	4
Temp. red./day	0.0°C
Start condition	Stop
F07 Optimization	0
Start condition	

<b>HC1 Values</b>		p.1/2
Floor drying	Raise	
Outdoor temp	7.0°C	
Flow temp.	-0.6°C	
Flow SP	25.0°C	
Rtn flow temp.	30.8°C	

The drying process has been successfully completed when 'Done' is displayed. This disappears from the display after resetting the display to Stop in CO1, 2 -> F05 or after the failure of the supply voltage. If a power failure occurs while the drying process is in progress, the drying process continues afterwards exactly at the point at which it was interrupted when the power is reconnected. In systems in which the drying function had to be interrupted due to DHW heating (e.g. system Anl 2.1), storage tank charging does not occur while the drying function is active, provided it is not used for frost protection of the storage tank.

### **i** Note

The function block parameter can only be accessed after starting the function by resetting to 'Stop' in CO1, 2 -> F05.

Functions	Default	Configuration
Underfloor heating/drying of jointless floors	0	CO1, 2 -> F05 - 1
	0.0 °C	Boost: 0.0 to 50.0 °C
	25.0 °C	Start temperature: 20.0 to 60.0 °C
	0	Hold (days): 0 to 10 days
	5.0 °C	Temp. rise/day: 0.0 to 10.0 °C
	45.0 °C	Maximum temperature: 25.0 to 60.0 °C
	4	Hold (days): 0 to 10 days
	0.0 °C	Temp. reduction/day: 0.0 to 10.0 °C
Stop	Start condition: Stop, Start, Hold, Reduction	

## 16.2.4 Night set-back

The night set-back (= difference of the flow target temperature in day and night mode) is calculated in all heating circuits with a gradient characteristic as follows:

$$2x \text{ Heating characteristic gradient } \times (\text{day room temperature} - \text{night room temperature})$$

### 16.2.4.1 Outdoor temperature for continuous day mode

If a heating circuit is in night mode (automatic mode, ☺), this circuit is switched to day mode whenever the outdoor temperature falls below 'Outdoor temperature for continuous day mode'. The night mode restarts after the outdoor temperature rises above the limit (plus 0.5 °C hysteresis).

This function prevents the building from cooling down excessively outside the times-of-use when low outdoor temperatures occur. The transition towards day mode can be configured to be variable depending on the outdoor temperature.

Parameters	Default	Parameters: value range
Outdoor temperature for continuous day mode	-15.0 °C	PA1, 2 -> P09: -50.0 to 5.0 °C (only when CO1, CO2 -> F28 - 0)

### 16.2.4.2 Variable night set-back

With the setting CO1, CO2 -> F28 - 1, the night set-back is variable based on the outdoor temperature. The night set-back is fully effective at outdoor temperatures above the outdoor temperature limit value 'OTL night 100 %'.

The absolute value of the night set-back is linearly reduced to zero in the range between this value and the outdoor temperature limit value 'OTL night 0 %' for continuous day mode.

The absolute value of the night set-back is indicated in the 'Night set points' menu as 'HK1, HC2 night set-back'. It is also indicated during day mode, but has no effect. With the setting CO1, CO2 -> F28 - 1, the 'Outdoor temperature for continuous day mode' (P09) parameter is not used in the corresponding PA level.

Functions	Default	Configuration
Variable night set-back	0	CO1, CO2 -> F28 - 1 (only when CO1, CO2 -> F11 - 0)
	5.0 °C	OTL night 100 %: -50 to 20.0 °C
	-15 °C	OTL day 0 %: -50 to 5.0 °C

## 16.2.5 Buffer tank systems Anl 16.x

A heating characteristic based on a gradient or four entered points can be set in PA1 for the buffer tanks in systems Anl 16.x. A buffer tank set point for day operation and a buffer tank set point for night operation can be set without outdoor sensors in the customer level. An external demand transmitted from secondary controlled heating circuits, DHW circuit or an external request (over a 0 to 10 V or binary signal) can override the current buffer tank set point. The maximum demand is indicated as the buffer tank set point for SF1. If the temperature falls below the buffer tank set point at SF1, charging of the buffer tank is started.

The set point of the charging temperature is determined by the 'Minimum set point to charge buffer tank' parameter setting in the PA1 level. The automatic adaptation ('AUTO' setting) causes the set point of the charging temperature to always be above the current buffer tank set point by the value entered in 'Charging temperature boost'. Every other value entered in 'Minimum set point to charge buffer tank' is used as the minimum set point for the charging temperature which first starts to be variable at higher buffer tank set points. When a return flow temperature sensor RÜF1 is used, the charging pump SLP (CO1 -> F22 - 1) is first released to avoid cold charging when the temperature measured at RÜF1 has reached the same temperature measured at SF1. The 'Stop charging of the buffer tank' parameter (PA1 -> P17, default = AUTO) determines under which conditions the charging of the buffer tank is stopped. The automatic adaptation ('AUTO' setting) causes the buffer tank charging to be stopped when the temperature in the buffer tank reaches the 'Buffer tank set point'. Every other value entered for 'Stop charging of the buffer tank' is rated as a fixed switch-off temperature for the buffer tank charging. When SF2 (CO1 -> F06 - 1) is configured, SF2 is always used to stop the charging of the buffer tank. The storage tank charging pump is not switched off until the lag time (entered 'Valve transit time T<sub>v</sub>' for Rk1 multiplied by 'Lag time of charging pump') has elapsed. An activated setting CO1 -> F27 - 1 (discharging protection) causes the charging to be stopped when the charging temperature does not reach its set point even though the valve is fully open or it falls below the temperature measured at SF1 and does not rise again. Charging with the valve fully open is stopped after one hour at the latest. In such cases, 'Operation: discharging protection' is displayed with the measured values in HC1 for the next 30 minutes.

The CO1 -> F27 - 1 setting causes a 2 °C higher charging set point to be calculated. The following then applies:

$$\text{Charging set point} = \text{Set point at SF1} + \text{'Charging temperature boost'} + 2 \text{ °C}$$

The operation of the feeder pump UP1 is either determined by the ZP time schedule or prompted over an external demand. For systems with downstream control circuits, either only this external demand or the demand of the downstream control circuits causes the feeder

## Annex A (configuration instructions)

pump UP1 to be activated, depending on the CO5 -> F14 setting.

The pump UP2 of the solid fuel boiler circuit in systems Anl 16.2 and 16.4 starts to run when the temperature reaches 'Start temperature for boiler pump' at VF2. The boiler pump is switched off again when the temperature at VF2 falls below the temperature T = 'Start temperature for boiler pump' - 'Boiler pump hysteresis'.

In systems Anl 16.3, 16.4 and 16.6, a solar circuit is integrated, which uses storage tank sensor SF2 for control. The collector circuit pump CP is activated when the temperature at the collector sensor RUF2 is higher than that at storage tank sensor SF2 by the value entered in 'Solar circuit pump ON'. It is deactivated when the temperature difference falls below the value entered in 'Solar circuit pump OFF', when the temperature at the storage tank sensor SF2 reaches 'Max. storage tank temperature' or when the collector temperature rises above 120 °C. The temperature-based adaptation of the delivery rate of the charging pump SLP can be implemented using a 0 to 10 V signal. It can be reversed, if required.

### **i** Note

*The buffer tank control circuit is deactivated as described in section 16.2.4.1. When predefined gradients of heating characteristic (CO1 -> F11 - 0) are used, night mode is not possible in the buffer tank control circuit. In contrast to an active four-point characteristic (CO1 -> F11 - 1): in this case, a four-point characteristic exists for day and night modes.*

Functions	Default	Configuration
Storage tank sensor SF2	1	CO1 -> F06 - 1
SLP depending on return flow temperature	0	CO1 -> F22 - 1
Speed control of the charging pump	0 40.0 °C 50.0 °C 20 %	CO1 -> F21 - 1 Start speed reduction - limit: 5.0 to 90.0 °C Stop speed reduction - limit: 5.0 to 90.0 °C Minimum speed: 0 to 50 %
AA1 reverse	0 0 %	CO5 -> F25 - 1 Zero: 0 to 50 %
AA1 PWM	0	CO5 -> F34 - 0 (TROVIS 5573 cannot process a PWM signal) Function: SLP speed

Discharging protection	0	CO1 -> F27 - 1
Parameters	Default	Parameters: value range
Minimum set point to charge buffer tank	AT	PA1 -> P16: OT to 90.0 °C
Stop charging of the buffer tank	AT	PA1 -> P17: OT to 90.0 °C
Charging temperature boost	6.0 °C	PA1 -> P18: 0.0 to 50.0 °C
Lag time of charging pump	1.0	PA1 -> P19: 0.0 to 10.0
Solar circuit pump ON	10.0 °C	PA4 -> PA10: 1.0 to 30.0 °C
Solar circuit pump OFF	3.0 °C	PA4 -> PA11: 0.0 to 30.0 °C
Max. storage tank temperature	80.0 °C	PA4 -> PA12: 20.0 to 90.0 °C
Start temperature for boiler pump	60.0 °C	PA5 -> P01: 20.0 to 90.0 °C
Boiler pump hysteresis	5.0 °C	PA5 -> PA02: 0.0 to 30.0 °C

## 16.2.6 Summer mode

Summer mode is activated depending on the mean daytime temperature (measured between 7.00 h and 22.00 h) during the adjusted summer time period. If the mean daytime temperature exceeds the 'Boost' on the number of successive days set in 'No. days until activation', summer mode is activated on the following day. This means that the valves in all heating circuits are closed and the circulation pumps are switched off after  $t = 2 \times$  valve transit time. If the mean daytime temperature falls below the 'Limit' on the number of successive days set in 'No. days until deactivation', summer mode is deactivated on the following day.

Functions	Default	Configuration
Summer mode	0	CO5 -> F04 - 1
	01.06 - 30.09	Time: Adjustable as required
	2	No. days until activation: 1 to 3
	1	No. days until deactivation: 1 to 3
	18.0 °C	Limit: 0.0 to 30.0 °C

### **i** Note

*Summer mode only becomes effective when the controller is in automatic mode (⊕).*

## 16.2.7 Delayed outdoor temperature adaptation

The calculated outdoor temperature is used to determine the flow temperature set point. The heat response is delayed when the outdoor temperature either increases or decreases or both. If the outdoor temperature varies by, for example 12 °C within a very short period of time, the calculated outdoor temperature is adapted to the actual outdoor temperature in small steps (delay time of 3 °C/h) over a time period of  $t = \frac{12\text{ °C}}{3\text{ °C/h}} = 4\text{ h}$ .

### **i** Note

*The delayed outdoor temperature adaptation helps avoid unnecessary overloads of central heating stations in combination with either overheated buildings occurring, for example due to warm winds or temporarily insufficient heating due to the outdoor sensor being exposed to direct sunshine. In the operating level, the outdoor temperature blinks on the display while delayed outdoor temperature adaptation is active. A small hour glass appears next to the thermometer on the display when this function is active. The calculated outdoor temperature is displayed.*

Functions	Default	Configuration
Delayed outdoor temperature adaptation (decreasing)	0	CO5 -> F05 - 1 Delay/h: 0.2 to 6.0 °C
Delayed outdoor temperature adaptation (increasing)	0 3.0 °C	CO5 -> F06 - 1 Delay/h: 0.2 to 6.0 °C

## 16.2.8 Remote operation

Apart from measuring the room temperature, the Types 5257-5<sup>1)</sup> and Type 5257-51 Room Panels (Pt1000 sensor) as well as Type 5244<sup>1)</sup> Room Panel (PTC sensor) provide the following opportunities of influencing the control process:

Selecting the operating mode:	<ul style="list-style-type: none"> <li>☉ Automatic mode</li> <li>☼ Day mode</li> <li>☾ Night mode</li> </ul>
Set point correction:	During rated operation, the room temperature set point can be increased or reduced by up to 5 °C using a continuously adjustable rotary knob.

<sup>1)</sup> No longer available



With an activated room sensor, the measured room temperature is displayed when the remote operation is connected and activated. Nevertheless, it is not used for control when either the **optimization**, **adaptation** or **flash adaptation** function is activated.

Functions	Default	Configuration
Room sensor RF1/RF2	0	CO1, 2 -> F01 - 1

## 16.2.9 Optimization

This function requires the use of a room sensor. Depending on the building characteristics, the controller determines and adapts the required advance heating time (maximum 8 hours) to ensure that the desired 'Day set point' (rated room temperature) has been reached in the reference room when the time-of-use starts. During the advance heating period, the controller heats with the max. flow temperature. This temperature is built up in steps of 10 °C. As soon as the 'Day set point' has been reached, outdoor-temperature-compensated control is activated.

Depending on the room sensor, the controller switches off the heating system up to one hour before the time-of-use ends. The controller chooses the deactivation time such that the room temperature does not drop significantly below the desired value until the time-of-use ends.

During the advance heating period and the premature deactivation of the heating system, the ✱ or € icon blinks on the display.

Outside the times-of-use, the controller monitors the 'Night set point' (reduced room temperature). When the temperature falls below the night set point, the controller heats with the max. flow temperature until the measured room temperature exceeds the adjusted value by 1 °C.

### **i** Note

- Direct sunshine can cause the room temperature to increase and thus result in the premature deactivation of the heating system.
- When the room temperature decreases while the heating system is shortly outside its times-of-use, this can prematurely cause the controller to heat up to the 'Day set point'.

Functions	Default	Configuration
Room sensor RF1/RF2	0	CO1, 2 -> F01 - 1
Outdoor sensor AF1	1	CO1, 2 -> F02 - 1
Optimization	0	CO1, 2 -> F07 - 1

Parameters	Default	Switch position: value range
Day set point	20.0 °C	☀: 0.0 to 40.0 °C
Night set point	15.0 °C	☾: 0.0 to 40.0 °C

### 16.2.10 Flash adaptation

To ensure that the controller reacts immediately to room temperature deviations during rated or reduced operation, the function block setting CO1, 2 -> F09 - 1 needs to be made. The heating is then always switched off as soon as the room temperature exceeds the 'Day set point' or 'Night set point' by 2 °C.

Heating first starts again when the room has cooled off and the room temperature is 1 °C above the set point. The flow temperature set point is corrected if the 'Cycle time' or 'KP (gain)' are set to a value other than 0. The 'Cycle time' determines the intervals at which the flow temperature set point is corrected by 1 °C. A 'KP (gain)' set to a value other than 0 causes a direct increase/decrease in flow temperature set point when a sudden deviation in room temperature arises. A 'KP (gain)' setting of 10.0 is recommended.

#### **i** Note

- Cooling loads, such as drafts or open windows, affect the control process.
- Rooms may be temporarily overheated after the cooling load has been eliminated.

Functions	Default	Configuration
Room sensor RF1/RF2	0	CO1, 2 -> F01 - 1
Flash adaptation	0 20 min 0.0	CO1, 2 -> F09 - 1 Cycle time: 0 to 100 min KP (gain): 0.0 to 25.0

Parameters	Default	Switch position: value range
Day set point	20.0 °C	☀: 0.0 to 40.0 °C
Night set point	15.0 °C	☾: 0.0 to 40.0 °C

## 16.2.11 Flash adaptation without outdoor sensor (based on room temperature)

The flow temperature control starts with 'Day set point' for flow in rated operation or with 'Night set point' for flow in reduced operation as no set points calculated using characteristics exist without an outdoor sensor. The 'Cycle time' determines the intervals at which the flow temperature set point is corrected by 1 °C. The heating is then always switched off as soon as the room temperature exceeds the 'Day set point' or 'Night set point' by 2 °C. Heating first starts again when the room has cooled off and the room temperature is 1 °C above the set point. A 'KP (gain)' set to a value other than 0 causes a direct increase/decrease in flow temperature set point when a sudden deviation in room temperature arises. A 'KP (gain)' setting of 10.0 is recommended.

Functions	Default	Configuration
Room sensor RF1/RF2	0	CO1, 2 -> F01 - 1
Outdoor sensor AF1	1	CO1, 2 -> F02 - 0
Flash adaptation	0 20 min 0.0	CO1, 2 -> F09 - 1 Cycle time: 1 to 100 min KP (gain): 0.0 to 25.0

Parameters	Default	Switch position: value range
Day set point	20.0 °C	↓☀: 0.0 to 40.0 °C
Night set point	15.0 °C	↓☾: 0.0 to 40.0 °C

Parameters	Default	Parameters: value range
Flow set point (day)	50.0 °C	PA1, 2 -> P03: -5.0 to 150.0 °C
Flow set point (night)	30.0 °C	PA1, 2 -> P04: -5.0 to 150.0 °C

## 16.2.12 Adaptation

The controller is capable of automatically adapting the heating characteristic to the building characteristics. A gradient characteristic must be set in this case (CO1, 2 -> F11 - 0). The reference room, where the room sensor is located, represents the entire building and is monitored to ensure that the room set point ('Day set point') is maintained. When the mean measured room temperature in rated operation deviates from the adjusted set point, the heating characteristic is modified accordingly for the following time-of-use. The corrected value is displayed in PA1, 2 -> P01 (Gradient, flow).

## Annex A (configuration instructions)

Functions	Default	Configuration
Room sensor RF1/RF2	0	CO1, 2 -> F01 - 1
Outdoor sensor AF1	1	CO1, 2 -> F02 - 1
Adaptation	0	CO1, 2 -> F08 - 1
Four-point characteristic	0	CO1, 2 -> F11 - 0

Parameters	Default	Switch position: value range
Day set point	20.0 °C	☀: 0.0 to 40.0 °C
Night set point	15.0 °C	🌙: 0.0 to 40.0 °C

### **i** Note

If the **Flash adaptation** function is already configured with a small cycle time, the **Adaptation** function should not be configured as well.

## 16.2.13 Cooling control

### Cooling control with outdoor sensor

When the cooling control function is activated in a control circuit with outdoor sensor AF1, the four-point characteristic of the corresponding control circuit is automatically activated and the operating direction of the control output is reversed. In PA1 and/or PA2 the four points for the course of the set point based on the outdoor temperatures can be adjusted separately for day and night mode. The 'Base point for return flow temperature' that can be adjusted with an active return flow sensor determines the point at which a minimum limitation of the return flow temperature starts: if the measured return flow temperature falls below this value, the flow temperature set point is raised. The four return flow temperature values in the four-point characteristic function have no effect.

Functions	Default	Configuration
Outdoor sensor AF1		CO1, 2 -> F02 - 1
Cooling control	0	CO1, 2 -> F04 - 1
Four-point characteristic	0	CO1, 2 -> F11 - 1

Parameters		Default	Parameters: value range
Outdoor temperature	Point 1	5.0 °C	PA1, 2 -> P05: -50.0 to 50.0 °C
	Point 2	15.0 °C	
	Point 3	25.0 °C	
	Point 4	30.0 °C	
Flow temperature	Point 1	20.0 °C	PA1, 2 -> P05: -5.0 to 150.0 °C
	Point 2	15.0 °C	
	Point 3	10.0 °C	
	Point 4	5.0 °C	
Reduced flow temperature	Point 1	30.0 °C	PA1, 2 -> P05: -5.0 to 150.0 °C
	Point 2	25.0 °C	
	Point 3	20.0 °C	
	Point 4	15.0 °C	
Base point for return flow temperature:		65.0 °C	PA1, 2 -> P13: 5.0 to 90.0 °C

### **i** Note

The limiting factors 'KP' of the **return flow sensor** (CO1, 2 -> F03) functions apply during cooling control as well.

### Cooling control without outdoor sensor

When the cooling control function is activated in a control circuit without outdoor sensor, only the adjustment limits for the day and night set points at the rotary switch as well as the 'Base point for return flow temperature' can be adjusted in PA1 and/or PA2.

Functions	Default	Configuration
Outdoor sensor AF1		CO1, 2 -> F02 - 0
Cooling control	0	CO1, 2 -> F04 - 1

Parameters	Default	Switch position: value range
Flow set point (day)	50.0 °C	↓☀: -5.0 to 150.0 °C
Flow set point (night)	30.0 °C	↓☾: -5.0 to 150.0 °C

Parameters	Default	Parameters: value range
Min. flow temperature	20.0 °C	PA1, 2 -> P06: -5.0 to 150.0 °C
Max. flow temperature	70.0 °C	PA1, 2 -> P07: 5.0 to 150.0 °C
Base point for return flow temperature:	65.0 °C	PA1, 2 -> P13: 5.0 to 90.0 °C

### **i** Note

- The limiting factors 'KP' of the **return flow sensor** (CO1, 2 -> F03) functions apply during cooling control as well.
- The request for a signal by downstream control circuits or externally (when a pre-control circuit is used) is based on the maximum selection. Therefore, systems (e.g. system Anl 3.0) or systems in which the demand is requested using a 0 to 10 V signal are not suitable for transmitting the signal for required cooling. The 'Set point boost (pre-control circuit)' parameter can only generate higher and not lower set points in the pre-control circuit.

## 16.2.14 Differential temperature control

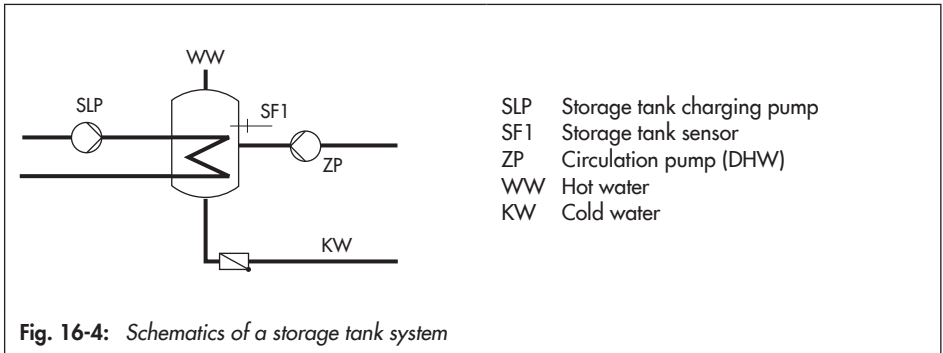
In systems Anl 1.0 and 16.0, the differential temperature control causes the delivery rate of pump UP1 to be adapted through the 0 to 10 V output depending on the difference between the secondary flow temperature and the secondary return flow temperature. In system Anl 1.0 the sensor input RÜF2 is automatically activated for this purpose with the setting CO1 -> F23 - 1. In system Anl 16.0, the sensor inputs VF2 and RÜF2 are automatically activated. The KP (influence factor) determines how strongly the controller responds when the temperature deviates from the set point of the differential temperature control.

Functions	Default	Configuration
Differential temperature control	0 20.0 °C 1.0 20 %	CO1 -> F23 - 1 Set point of differential temperature control: 0.0 to 50.0 °C KP (influence factor): 0.1 to 10.0 Minimum speed: 0 to 100 %
AA1 reverse	0 0 %	CO5 -> F25 - 1 Zero: 0 to 50 %
AA1 PWM	0	CO5 -> F34 - 0 (TROVIS 5573 cannot process a PWM signal) Function: differential temperature control

## 16.3 Functions of the DHW circuit

### 16.3.1 DHW heating in the storage tank system

#### Start storage tank charging



The controller begins charging the storage tank when the water temperature measured at storage tank sensor SF1 falls below the 'DHW temperature set point' by 0.1 °C. If the flow temperature in the system exceeds the desired charging temperature, the controller tries to reduce the flow temperature in the heating circuit for up to three minutes before the storage tank charging pump is activated. When there is no heating operation or when the flow temperature in the system is lower, the storage tank charging pump is switched on immediately. If the function CO4 -> F15 - 1 (**SLP ON depending on return flow temperature**) is activated, the primary valve is opened without simultaneously operating the storage tank charging pump. The storage tank charging pump is first switched on when the primary return flow temperature has reached the temperature currently measured at storage tank sensor SF1. This function enables storage tank charging when the heating system is switched off, e.g. in summer mode, without cooling down the storage tank first by filling it with cold flow water. The storage tank charging pump does not start operation before a sufficiently high temperature has been reached at the heat exchanger. An activated setting CO4 -> F27 - 1 (discharging protection) causes the charging to be stopped when the charging temperature does not reach its set point even though the valve is fully open or it falls below the temperature measured at SF1 and does not rise again. Charging with the valve fully open is stopped after one hour at the latest. In such cases, 'Operation: discharging protection' is displayed with the measured values in the DHW circuit for the next 30 minutes.

---

### **i Note**

*The 'DHW temperature set point' is to be regarded in relation to the charging temperature if a storage tank thermostat is used.*

---

### **Time-controlled switchover of storage tank sensors**

By configuring a second storage tank sensor SF2, it is possible to determine by setting the function block CO4 -> F19 - 1 that the storage tank sensor SF1 is used for day mode in the DHW circuit and storage tank sensor SF2 for night mode. As a result, different storage tank volumes can be kept at a constant temperature according to a time schedule and also at different temperatures if the 'DHW temperature set points' for day and night differ from one another.

### **Stop storage tank charging**

The controller stops charging the storage tank when the water temperature measured at storage tank sensor SF1 has reached the temperature  $T = \text{'DHW temperature'} + \text{'Hysteresis'}$ .

When there is no heating operation or when the flow temperature demand in the system is lower, the corresponding valve is closed. The storage tank charging pump is switched off after  $t = \text{'Lag time of storage tank charging pump'} \times \text{'Valve transit time'}$ .

With the default settings, the temperature in the storage tank is increased by 5 °C to reach 65 °C when the storage tank temperature falls below 60 °C. The charging temperature is calculated from the DHW temperature (60 °C) plus the 'Charging temperature boost' (10 °C), which equals 70 °C. When the storage tank has been charged, the heating valve is closed and the charging pump continues to run for the time  $t = P06 \times \text{Valve transit time}$ . Outside the times-of-use, the storage tank is only charged when the temperature falls below 40 °C ('Night set point for DHW temperature'). In this case, the tank is charged with a charging temperature of 50 °C until 45 °C is reached in the tank.



Functions	Default	Configuration
Storage tank sensor SF1		CO4 -> F01 - 1
Storage tank sensor SF2		CO4 -> F02 (-1 when CO4 -> F19 - 1)
SLP depending on return flow temperature	0	CO4 -> F15
Switchover	0	CO4 -> F19 (-1 only when CO4 -> F02 - 1)
Discharging protection	0	CO4 -> F27 - 1

Parameters	Default	Switch position: value range
Day set point for DHW temperature or charging temperature when CO4 > F01 - 0	60.0 °C	↓☼: Min. to max. adjustable DHW set point
Night set point for DHW temperature	40.0 °C	↓☾: Min. to max. adjustable DHW set point

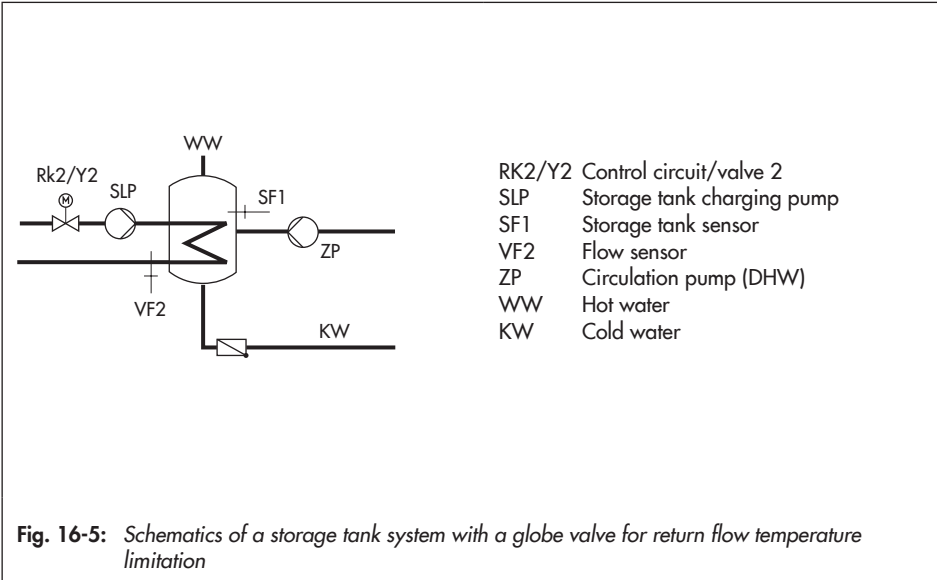
Parameters	Default	Parameters: value range
Min. adjustable DHW set point <sup>1)</sup>	40.0 °C	PA4 -> P01: 5.0 to 90.0 °C
Max. adjustable DHW set point <sup>1)</sup>	60.0 °C	PA4 -> P02: 5.0 to 90.0 °C
Hysteresis <sup>2)</sup>	5.0 °C	PA4 -> P03: 0.0 to 30.0 °C

Parameters	Default	Parameters: value range
Charging temperature boost <sup>3)</sup>	10.0 °C	PA4 -> P04: 1.0 to 50.0 °C
Lag time for storage tank charging pump	1.0	PA4 -> P06 x Valve transit time: 0.0 to 10.0

- <sup>1)</sup> Parameters serve as limitation of the adjustment range for the DHW temperature to be set at the rotary switch
- <sup>2)</sup> Deactivation value  $T = \text{DHW temperature} + \text{'Hysteresis'}$
- <sup>3)</sup> Charging temperature  $T = \text{DHW temperature} + \text{'Charging temperature boost'}$

### 16.3.1.1 DHW circuit additionally controlled by a globe valve

In system Anl 11.1, the following version with globe valve can be configured instead of the three-way valve control in the DHW circuit:



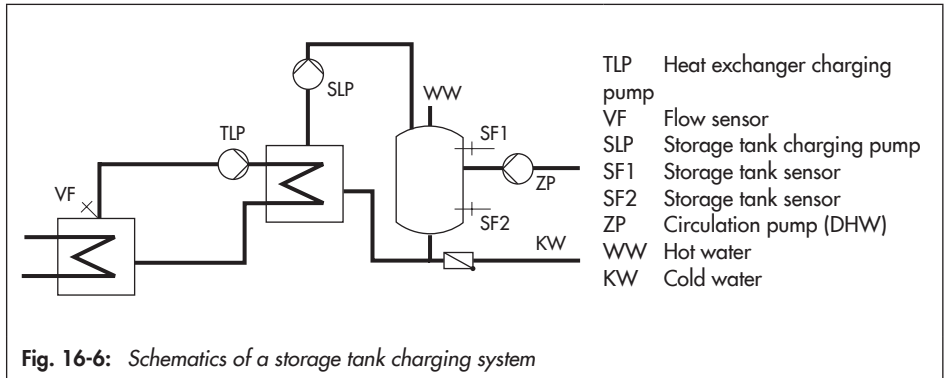
Globe valve and flow sensor VF2 are used exclusively for return flow temperature limitation in the schematics shown above. The pre-control circuit provides at least the same flow temperature as in the standard schematic version which is calculated from 'DHW temperature set point' + 'Charging temperature boost' + 'Boost set point (pre-control circuit)'.

The functions and parameters of the DHW heating in the storage tank system are upgraded by the following settings:

Functions	Default	Configuration
Return flow control	0	CO4 -> F20 - 1
Parameters	Default	Parameters: value range
Max. return flow temperature	65.0 °C	PA4 -> P07: 20.0 to 90.0 °C

## 16.3.2 DHW heating in the storage tank charging system

### Start storage tank charging



The controller begins charging the storage tank when the water temperature measured at storage tank sensor SF1 falls below the 'DHW temperature set point' by 0.1 °C. If the flow temperature in the system exceeds the desired charging temperature, the controller tries to reduce the flow temperature in the heating circuit for up to three minutes before the exchanger charging pump is activated together with the storage tank charging pump. When there is no heating operation or when the flow temperature in the system is lower, the exchanger charging pump is switched on immediately. If the temperature currently measured at storage tank sensor SF1 is reached at the flow sensor VF, the storage tank charging pump is switched on. An activated setting CO4 -> F27 - 1 (discharging protection) causes the charging to be stopped when the charging temperature does not reach its set point even though the valve is fully open or it falls below the temperature measured at SF1 and does not rise again. Charging with the valve fully open is stopped after one hour at the latest. In such cases, 'Operation: discharging protection' is displayed with the measured values in the DHW circuit for the next 30 minutes. If a storage tank thermostat is used, the storage tank charging pump is switched on when the temperature  $T = \text{Charging temperature} - 5 \text{ °C}$  is reached at the flow sensor VF.

#### **i** Note

The 'DHW temperature set point' is to be regarded in relation to the charging temperature if a storage tank thermostat is used.

## Annex A (configuration instructions)

When the flow sensor VF4 is activated, the set point in the heat exchanger circuit is influenced by the system deviation in the storage tank charging circuit upon activation of the storage tank charging pump: if the temperature measured at flow sensor VF4 is lower than the desired 'Charging temperature', the set point in the heat exchanger circuit is increased in steps of 1 °C. When the set point in the heat exchanger charging circuit reaches the 'Max. charging temperature', the set point is no longer increased. An "Err 4" error message is generated.

---

### **i** Note

*The set point in the heat exchanger circuit which is valid at the end of the charging cycle will be used again at the beginning of the next cycle.*

---

If times-of-use have been programmed for DHW heating, the 'DHW temperature set point' adjusted at the rotary switch is applied during these times-of-use. Outside the times-of-use, the night set point for DHW temperature is used. This does not apply when a storage tank thermostat is used.

### **Time-controlled switchover of storage tank sensors**

By configuring a second storage tank sensor SF2, it is possible to determine by setting the function block CO4 -> F19 - 1 that the storage tank sensor SF1 is used for day mode in the DHW circuit and storage tank sensor SF2 for night mode. As a result, different storage tank volumes can be kept at a constant temperature according to a time schedule and also at different temperatures if the 'DHW temperature set points' for day and night differ from one another.

### **Stop storage tank charging**

The controller stops charging the storage tank when the water temperature measured at storage tank sensor SF2 has reached the temperature  $T = \text{'DHW temperature'} + \text{'Hysteresis'}$ . To do so, the heat exchanger charging pump is immediately switched off. When there is no heating operation or when the flow temperature demand in the system is lower, the corresponding valve is closed. The storage tank charging pump is switched off after the time has elapsed  $t = P06 \times \text{valve transit time}$ .

Functions	Default	Configuration
Storage tank sensor SF1		CO4 -> F01 - 1
Storage tank sensor SF2		CO4 -> F02 - 1
Flow sensor VF	0	CO4 -> F05
Switchover	0	CO4 -> F19
Discharging protection	0	CO4 -> F27 - 1

Parameters	Default	Switch position: value range
Day set point for DHW temperature or charging temperature when CO4 > F01 - 0	60.0 °C	↓☀: Min. to max. adjustable DHW set point
Night set point for DHW temperature	40.0 °C	↓☾: Min. to max. adjustable DHW set point
Min. adjustable DHW set point <sup>1)</sup>	40.0 °C	PA4 -> P01: 5.0 to 90.0 °C
Max. adjustable DHW set point <sup>1)</sup>	60.0 °C	PA4 -> P02: 5.0 to 90.0 °C
Hysteresis <sup>2)</sup>	5.0 °C	PA4 -> P03: 1.0 to 30.0 °C
Charging temperature boost <sup>3)</sup>	10.0 °C	PA4 -> P04: 0.0 to 50.0 °C
Max. charging temperature	80.0 °C	PA4 -> P05: 20.0 to 150.0 °C (only with VF4)
Lag time for storage tank charging pump	1.0	PA4 -> P06: 0.0 to 10.0

<sup>1)</sup> Parameters serve as limitation of the adjustment range for the DHW temperature to be set at the rotary switch

<sup>2)</sup> Deactivation value T = DHW temperature + 'Hysteresis'

<sup>3)</sup> Charging temperature T = DHW temperature + 'Charging temperature boost'

### 16.3.2.1 Cold charging protection

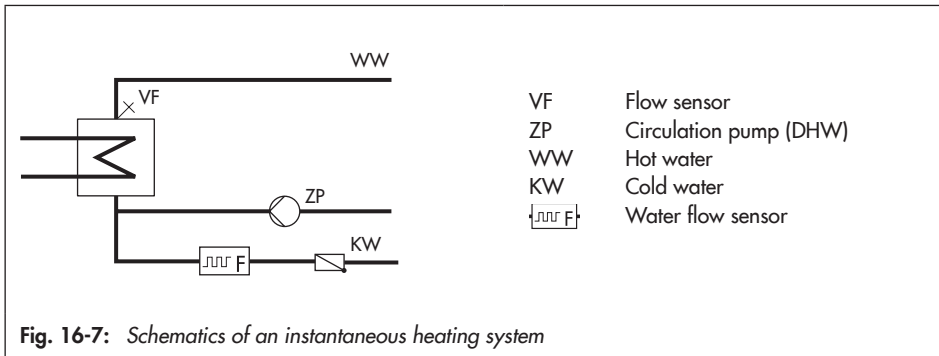
In system Anl 1.1(-1), the **cold charging protection** function causes a storage tank charging to be started first when the primary flow temperature is sufficiently high enough.

The CO4 -> F22 - 1 setting automatically activates the FG2 input to measure the primary flow temperature. If the measured primary flow temperature is lower than the measured storage tank temperature (e.g. due to a supply line that has cooled down at the start of a storage tank charging), the heating circuit valve is moved to the adjusted position at first. The storage tank charging is not released in absolute priority operation until the primary flow temperature has risen enough as a result. Parallel operation must be additionally configured if it is required.

## Annex A (configuration instructions)

Functions	Default	Configuration
Cold charging protection	0	CO4 -> F22 - 1
	10 %	Valve position: 1 to 100 %
Parallel pump operation	0	CO4 -> F06 - 1
	10 min	Stop: 0 to 10 min
	40.0 °C	Temperature limit: 20.0 to 90.0 °C

### 16.3.3 DHW heating in instantaneous heating system



Without flow rate sensor or flow switch, the control of the required DHW temperature at the flow sensor VF is only active during times-of-use of the circulation pump ZP. The water flow sensor or flow switch allows the controller to recognize when DHW tapping starts and stops. Control of the required DHW temperature can be made to be active only during DHW tapping by deleting all times-of-use of the circulation pump.

The control of the required DHW temperature at the flow sensor VF is only active during times-of-use of the circulation pump ZP. If a water flow sensor is connected (see Fig. 16-7), make sure that the function '10 V supply' is configured with the CO5 -> F34 setting.

Functions	Default	Configuration
Flow rate sensor	0	CO4 -> F04 - 1
	Analog	Select: Analog (flow rate sensor), Binary (flow switch)
AA1 PWM	0	CO5 -> F34 - 0 Function: 10 V supply

Parameters	Default	Switch position: value range
Day set point for DHW temperature	60.0 °C	↓☀: Min. to max. adjustable DHW set point
Night set point for DHW temperature	40.0 °C	↓☾: Min. to max. adjustable DHW set point

Parameters	Default	Parameters: value range
Min. adjustable DHW set point	40.0 °C	PA4 -> P01: 5.0 to 90.0 °C
Max. adjustable DHW set point	60.0 °C	PA4 -> P02: 5.0 to 90.0 °C

### 16.3.4 Domestic hot water heating with solar system

The systems Anl 1.3 and 2.3 are fitted with a solar system for DHW heating. In these systems, the difference between the temperatures measured at storage tank sensor SF2 and the flow sensor VF3 at the solar collector is determined. The 'Solar circuit pump ON' parameter determines the minimum temperature difference between sensors VF3 and SF2 required to activate the solar circuit pump. If the temperature difference falls below the value of 'Solar circuit pump OFF', the solar circuit pump is switched off. Basically, the solar circuit pump is also switched off when either the water temperature measured at sensor SF2 has reached the 'Max. storage tank temperature' or when the solar collector temperature rises above 120 °C.

#### **i** Note

*The times-of-use of the DHW circuit do not affect the operation of the solar system.*

After the key number 1999 has been entered, the operating hours of the solar pump are displayed in extended operating level (see the 'Setup' section).

Parameters	Default	Parameters: value range
Solar circuit pump ON	10.0 °C	PA4 -> P10: 1.0 to 30.0 °C
Solar circuit pump OFF	3.0 °C	PA4 -> P11: 0.0 to 30.0 °C
Max. storage tank temperature	80.0 °C	PA4 -> P12: 20.0 to 90.0 °C

### 16.3.5 Intermediate heating

This function can only be activated in systems Anl 2.x, 4.1 and 4.5.

With the setting CO4 > F07 - 1, heating operation of the UP1 heating circuit is reactivated for a period of 10 minutes after 20 minutes of priority operation (heating deactivated during DHW heating). By setting CO4 > F07 - 0, storage tank charging is given unlimited priority over the heating operation in the UP1 heating circuit.

Functions	Default	Configuration
Intermediate heating	1	CO4 -> F07 - 1

### 16.3.6 Parallel pump operation

This function can only be activated in systems AnI 2.1 to 2.1, 4.1 and 4.5.

When CO4 -> F06 - 1, the circulation pump UP1 remains activated during DHW heating.

This does not include operating situations during which the current flow temperature demand of the pump circuit is lower than the adjusted 'Temperature limit'. In this case, the controller applies priority operation, if necessary with intermediate heating. Once a parallel pump operation cycle has been activated and the time period set in 'Stop' has elapsed, system deviations greater than 5 °C cause the controller to suspend parallel operation for ten minutes and to apply priority operation.

Setting 'Stop' to 0 min leads to a parallel operation once initiated remaining regardless of a deviation.

Functions	Default	Configuration
Parallel pump operation	0 10 min 40.0 °C	CO4 -> F06 - 1 Stop: 0 to 10 min Temperature limit: 20.0 to 90.0 °C

### 16.3.7 Circulation pump during storage tank charging

With the setting CO4 -> F11 - 1, the circulation pump (DHW) continues operation according to the programmed time schedule even during storage tank charging. With the setting CO4 -> F11 - 0, the circulation pump is switched off as soon as the storage tank charging pump is activated. The circulation pump starts to operate again according to the time schedule when the storage tank charging pump has been switched off again.

Functions	Default	Configuration
Operation of circulation pump (DHW) during storage tank charging	0	CO4 -> F11



## 16.3.8 Priority circuit

In many district heating systems with primary DHW heating, the allotted amount of water cannot meet DHW heating and heating operation demands when they are required at the same time. As a result, the capacity required for DHW heating needs to be taken from the heating system when great heating loads occur; and this, until DHW demand has been concluded. Nevertheless, heating operation is not to be interrupted simply. Only the amount of energy required for DHW heating is to be deducted. This can be achieved by using the priority functions: reverse control and set-back operation.

### 16.3.8.1 Reverse control

In all systems with DHW heating and at least one heating circuit with a control valve, DHW heating can be given priority by applying reverse control. With the setting CO4 -> F08 - 1, the temperature is monitored at sensor VFx.

In systems without sensor VFx in the DHW circuit (e.g. systems Anl 4.5, 11.0), the temperature is monitored directly at storage tank sensor SF1. If system deviations still occur after the time set in 'Start' has elapsed, the set point of the heating circuit with the control valve is gradually reduced each minute until the flow temperature set point has reached 5 °C at the minimum. How strongly the controller responds is determined by the 'KP' (influence factor).

When 'Start' is set to 0, the priority operation is started regardless of the time and temperature in the system. The control valve of the corresponding heating circuit is closed.

The reverse control can be activated for each heating circuit separately in system Anl 4.5.

Functions	Default	Configuration
Priority (reverse)	0 2 min 1.0 HC2	CO4 -> F08 - 1 Start: 0 to 10 min KP (influence factor): 0.1 to 10.0 Control circuit: HC1, HC2, HC1+HC2 (system Anl. 4.5 only)
Priority (set-back)	0	CO4 -> F09 - 0

### 16.3.8.2 Set-back operation

In all systems with DHW heating and at least one heating circuit with a control valve, DHW heating can be given priority by applying set-back operation. With the setting CO4 -> F09 - 1, the temperature is monitored at sensor VFx in the DHW circuit.

In systems without sensor VFx in the DHW circuit (e.g. systems Anl 4.5, 11.0), the temperature is monitored directly at storage tank sensor SF1. If system deviations still occur after the time set in 'Start' has elapsed, the selected heating circuit with the control valve is set to reduced operation.

When 'Start' is set to 0, the priority operation is started in all heating circuits regardless of the time and temperature in the system.

The reverse control can be activated for each heating circuit separately in system Anl 4.5.

Functions	Default	Configuration
Priority (reverse)	0	CO4 -> F08 - 0
Priority (set-back)	0 2 min HC2	CO4 -> F09 - 1 Start: 0 to 10 min Control circuit: HC1, HC2, HC1+HC2 (system Anl. 4.5 only)

### 16.3.9 Forced charging of DHW storage tank

To provide the full network performance for room heating when the time-of-use of the heating circuits begins, any storage tanks are charged one hour before the time-of-use of the heating circuits starts. For the individual controller, this means that storage tank charging is activated when the water temperature in the storage tank falls below the adjusted deactivation value of  $T = \text{'DHW temperature'} + \text{'Hysteresis'}$ .

The forced charging of the storage tank does not take place when the DHW circuit is not used at the beginning of the time-of-use set for the heating circuit(s).

---

#### **i** Note

*This function is not available when a storage tank thermostat is used.*

---

### 16.3.10 Thermal disinfection of DHW storage tank

In all systems with DHW heating, a thermal disinfection is performed on a selected day of the week or daily.

- In systems with DHW storage tank, it is heated up, taking into account the Charging temperature boost parameter (or Set point boost, depending on the system) to the adjusted Disinfection temperature. Disinfection takes place within the adjusted time period ('Time').
- In systems with storage tank charging system, the CO4 -> F24 -1 setting can be used to activate the sensor RüF2 instead of SF1 or SF2 to switch off the thermal disinfection.
- In systems with DHW heating in instantaneous heating system, the function remains active taking into account the Boost parameter until the circulation pipe, measured at storage tank sensor SF1, has reached the adjusted Disinfection temperature, provided disinfection has not been terminated prematurely at the end of the adjusted time period (Time).

The 'Duration' determines how long the disinfection temperature must be maintained within the adjusted time period to rate the process successful. If the Duration is set to a value other than 0, no intermediate heating operation takes place during thermal disinfection.

When the 'Disinfection temperature' has not been reached before the end of the thermal disinfection cycle, it is indicated correspondingly on the display. This error message can also be generated prematurely if the remaining time until the disinfection temperature is reached is shorter than the adjusted 'Duration'. The indication is automatically reset when the disinfection temperature is properly reached during the following thermal disinfection cycle.

Thermal disinfection for preventing legionella infection causes:

- Excessively high return flow temperatures during the disinfection cycle (return flow temperature limitation suspended)
- Excessively high DHW temperatures after thermal disinfection has been concluded
- Possibly lime scale, which can have a negative effect on heat exchanger performance.

---

#### **i** Note

- *This function is not available when a storage tank thermostat is used.*
  - *The forced operation of the circulation pump (DHW) starts while thermal disinfection is active.*
-

## Annex A (configuration instructions)

Functions	Default	Configuration
Storage tank sensor SF1	1	CO4 -> F01 - 1
Thermal disinfection	0 Wednesday 00:00 - 04:00 70.0 °C 10.0 °C 0 min ON	CO4 -> F14 - 1 Monday, Tuesday, ..., daily Time: Adjustable as required in steps of 15 minutes Disinfection temperature: 60.0 to 90.0 °C Boost: 0 to 50 °C Duration: 0 to 255 min Active when BI =: ON, OFF (start of disinfection with terminal 03/12 = ON, OFF; only applies when Start time = Stop time)
Bottom sensor for thermal disinfection	0	CO4 -> F24 - 1: only when CO4 -> F14 - 1 Sensor RüF2 as switch-off sensor active

## 16.4 System-wide functions

### 16.4.1 Automatic summer/standard time switchover

The time is automatically changed on the last Sunday in March at 2.00 h and on the last Sunday in October at 3.00 h.

Functions	Default	Configuration
Summer time	1	CO5 -> F08 - 1

#### **i** Note

*The automatic summer/standard time switchover can also be programmed in the Time/date menu (see the 'Setup' section).*

## 16.4.2 Frost protection

Frost protection measures are taken when the outdoor temperature falls below 'Limit'. The switching differential to cancel the frost protection measures is always 1 °C.

**Restricted frost protection:** frost protection measures are taken only when all heating circuits in the system are in stand-by mode. The circulation pumps are automatically switched on and their flow temperature set points are adjusted to 10 °C. The circulation pump in the DHW circuit is automatically switched on only when the stand-by mode has been adjusted at the rotary switch in all heating circuits. Nevertheless, the storage tank is always recharged to 10 °C if the storage tank temperature falls below 5 °C.

**Frost protection with highest priority:** the heating circuit circulation pumps are always switched on automatically. The flow temperature set points of all heating circuits currently in stand-by mode are set to +10 °C. In the DHW circuit, the circulation pump is always activated. If the storage tank temperature falls below +5 °C, the storage tank is recharged to +10 °C.

Functions	Default	Configuration
Frost protection	3.0 °C	CO5 -> F09 - 0: Restricted frost protection CO5 -> F09 - 1: Highest priority for frost protection Limit: -15.0 to 3.0 °C

### **i** Note

*Frost protection operation of a pump, a heating circuit or the DHW circuit is only active when the ❄️ frost protection icon is displayed.*

## 16.4.3 Forced pump operation

When the heating circuit pumps have not been activated for 24 hours, forced operation of the pumps is started between 12.02 h and 12.03 h. This is done to avoid that the pumps get stuck when they are not operated for long periods of time. In the DHW circuit, the circulation pump is operated between 12.04 h and 12.05 h, the other pumps between 12.05 h and 12.06 h.

## 16.4.4 Return flow temperature limitation

The temperature difference between the flow and return flow in a network indicates how well the energy is used: the greater the difference, the higher the efficiency. A return flow sensor RÜF is sufficient to evaluate the temperature difference when the flow temperatures are pre-defined. The return flow temperature can be limited either to a value depending on the outdoor temperature (variable) or to a fixed set point. When the temperature measured at return flow sensor RÜF exceeds the return flow temperature limit, the set point of the flow temperature (flow temperature of the heating system, charging temperature) is reduced. This causes the primary flow rate to be reduced and the return flow temperature to drop. In systems Anl 2.x and 4.1, the 'Max. return flow temperature' parameter (PA4 level) is used for limitation in the primary circuit during DHW heating if it is greater than the parameter valid for the primary circuit. The KP (limiting factor) determines how strongly the controller responds when the limits are exceeded in either direction (PI algorithm).

If just the proportional component is to be implemented, set CO5 -> F16 - 1. This allows the integral-action component in the return flow temperature limitation algorithm of all control circuits of the controller to be deactivated. The set point reading (flow temperature of the heating, charging temperature) blinks to indicate that a return flow limitation is active in the control circuit concerned.

### Note

*When outdoor-temperature-compensated control with gradient characteristic is used, the return flow temperature is limited to a fixed value by equating the 'Base point for return flow temperature' and 'Max. return flow temperature' (PA1, 2 -> P13 and P14) parameters.*

Functions	Default	Configuration
Return flow sensor RÜF1/2	1.0	CO1, 2, 4 -> F03 - 1 KP (limiting factor): 0.1 to 10.0
Return flow temperature limitation with P algorithm <sup>1)</sup>	0	CO5 -> F16

<sup>1)</sup> If the controller indicates CO5 -> F00 - 1, any access to the return flow, flow rate and capacity settings is locked.

Parameters	Default	Parameters: value range
Return flow gradient	1.2	PA1, 2 -> P11: 0.2 to 3.2
Return flow level	0.0 °C	PA1, 2 -> P12: -30.0 to 30.0 °C
Base point for return flow temperature:	65.0 °C	PA1, 2 -> P13: 5.0 to 90.0 °C
Max. return flow temperature	65.0 °C	PA1, 2, 4 -> P14: 5.0 to 90.0 °C

or:

Parameters	Default	Parameters: value range
Return flow temperature, points 1 to 4	65.0 °C	PA1, 2 -> P05: 5.0 to 90.0 °C

### **i** Note

To ensure that the preset return flow temperature limit can be met, make sure that the heating characteristic is not adjusted to ascend too steeply, the speed of the circulation pumps is not set too high and the heating systems have been balanced.

## 16.4.5 Condensate accumulation control

Activate the **damping** function to start up condensate accumulation plants, in particular to avoid problematic excess temperatures. The controller response to set point deviations which cause the primary valve to open is attenuated. The controller response to set point deviations which cause the control valve to close remains unaffected.

### **i** Note

The condensate accumulation control function can only be activated when the control circuit concerned is controlled using a PI algorithm (three-step control).

Functions	Default	Configuration
Control mode	1	CO1, 2, 4 -> F12 - 1
Damping	0 3.0 °C	CO1, 2, 4 -> F13 - 1 Max. system deviation: 3.0 to 10.0 °C

### 16.4.6 Three-step control

The flow temperature can be controlled using a PI algorithm. The valve reacts to pulses that the controller sends when a system deviation occurs. The length of the first pulse, in particular, depends on the extent of the system deviation and the selected 'KP (gain)' (the pulse length increases as KP increases). The pulse and pause lengths change continuously until the system deviation has been eliminated. The pause length between the single pulses is greatly influenced by the 'Tn (reset time)' (the pause length increases as TN increases). The 'TY (valve transit time)' specifies the time required by the valve to travel through the range of 0 to 100 %.

Functions	Default	Configuration
Control mode	1	CO1, 2, 4 -> F12 - 1
	2.0	KP (gain): 0.1 to 50.0
	120 s	Tn (reset time): 1 to 999 s
	0 s	TV (derivative-action time): do not change the value.
	35 s	TY (valve transit time): 1.5, ... , 240 s

### 16.4.7 On/off control

The flow temperature can be controlled, for example by activating and deactivating a boiler. The controller switches on the boiler when the flow temperature falls below the set point by  $T = 0.5 \times \text{'Hysteresis'}$ . When the set point is exceeded by  $T = 0.5 \times \text{'Hysteresis'}$ , the boiler is switched off again. The greater the value you choose for 'Hysteresis', the less frequent switching on and off will be. By setting the 'Minimum ON time', an activated boiler remains switched on during this period regardless of the flow temperature fluctuations. Similarly, a deactivated boiler will remain switched off regardless of the flow temperature fluctuations if the 'Min. OFF time' has been specified.

Functions	Default	Configuration
Control mode	1	CO1, 2, 4 -> F12 - 0
	5.0 °C	Hysteresis: 1.0 to 30.0 °C
	2 min	Min. ON time: 0 to 10 min
	2 min	Min. OFF time: 0 to 10 min



## 16.4.8 Continuous control

The flow temperature can be controlled using a PID algorithm. The valve receives an analog 0 to 10 V signal from the controller. When a system deviation occurs, 'KP (gain)' immediately causes the 0 to 10 V signal to change (the greater the KP, the greater the change). The integral component becomes effective with time: 'Tn (reset time)' represents the time which elapses until the integral component has changed the output signal to the same extent as the immediate change performed by the proportional component (the greater Tn is, the slower the rate of change will be). Due to the derivative component, any change of the system deviation is incorporated into the output signal with a certain gain (the greater TV is, the stronger the change will be).

Functions	Default	Configuration
Control mode	1	CO1 -> F12 - 1
	2.0	KP (gain): 0.1 to 50.0
	120 s	Tn (reset time): 1 to 999 s
	0 s	TV (derivative-action time): 0 to 999 s
	35 s	TY (valve transit time): 15, ... , 240 s

## 16.4.9 Releasing a control circuit/controller with binary input

The release of an individual control circuit or the controller with the binary input only becomes effective when the respective control circuit is in automatic mode (☉ icon). The released control circuit always works in automatic mode; the deactivated control circuit behaves as if it were transferred to stand-by mode. It remains active, however, in any case for processing an external demand. The control circuit can be released by the binary input when the binary input is either a make contact ('Active when BI' = OFF) or a break contact ('Active when BI' = ON).

### **i** Note

- In systems with downstream heating circuit without a valve (Anl 2.x, 4.x), BI1 only influences the operation of this heating circuit.
- In system Anl 3.0, BI1 influences the operation of the entire controller (except for processing an external demand).
- In buffer tank systems Anl 16.x, BI1 influences only the operation of the buffer tank charging circuit when '**Release control circuit**' is configured.

Functions	Default	Configuration
Enable	0 ON	CO1, 2 -> F14 - 1 Active when BI = ON, OFF
Release controller	0 ON	CO5 -> F15 - 1 Active when BI = ON, OFF

### 16.4.10 Speed control of the charging pump

This function allows the delivery rate of the charging pump in systems with buffer tank (CO1 -> F21 - 1) and in systems with DHW storage tank (CO4 -> F21 - 1) to be varied based on the temperature. When this function is activated, the input SF2 is automatically activated. In combination with CO1 -> F06 - 0 or CO4 -> F02 - 0, this input is only used for speed control and not to stop the storage tank charging.

All storage tank charging actions start with the minimum delivery rate of the charging pumps. As soon as the charging temperature is nearly reached, the delivery rate of the charging pump is increased and the valve controls the flow rate. If the charging temperature drops 5 °C below its associated set point, the delivery rate is reduced again. At the latest when the temperature at SF2 has reached the 'Start' value to reduce the delivery rate, the linear reduction of the delivery rate based on the temperature at SF2 starts. If the temperature at SF2 reaches the 'Stop' value to reduce the delivery rate, the charging pump runs again at the minimum delivery rate. Following the lag time, the charging pump is finally deactivated when the storage is fully charged.

Functions	Default	Configuration
Speed control of the charging pump	0 40.0 °C 50.0 °C 20 %	CO1 -> F21 - 1 or CO4 -> F21 - 1 Start speed reduction - limit: 5.0 to 90.0 °C Stop speed reduction - limit: 5.0 to 90.0 °C Minimum speed: 0 to 50 %
AA1 reverse	0 0 %	CO5 -> F25 - 1 Zero: 0 to 50 %
AA1 PWM	0	CO5 -> F34 - 0 (TROVIS 5573 cannot process a PWM signal) Function: SLP speed

## 16.4.11 External demand processing

The controller can process binary or analog requests for an externally required signal by a more complex secondary system. A binary request can only be processed when the input SF2/RF2 is not assigned to a sensor.

### **i** Note

*Overheating may occur in the heating circuits of the primary controller without control valve.*

Excessive charging temperatures in DHW circuits without control valve controlled by the primary controller are excluded when the default settings of the controller are used: while storage tank charging is active, no flow temperature higher than the charging temperature is used by the primary controller. If the **Priority for external demand** function is activated, the external demand is also processed during storage tank charging. The heating circuits can be configured in such a way that they only process external demand. The possible settings for heating do not apply with this configuration as only the external demand is processed with associated UP as feeder pump.

Functions	Default	Configuration
Priority for external demand	0	CO4 -> F16 - 1
Demand only	0	CO1 -> F24 - 1
	0	CO2 -> F24 - 1

### Binary demand processing

Regardless of the operating mode set for control circuit RK1, except for manual mode, the controller regulates the flow temperature when either the binary input (terminals 03/12) is a make contact ('Active when BI' = OFF) or a break contact ('Active when BI' = ON) in control circuit RK1 to at least the adjusted flow temperature adjusted in PA1 > P10 ('Minimum flow temperature set point HC for binary demand processing').

Functions	Default	Configuration
Demand processing, 0 to 10 V	0	CO1, 2 -> F16 - 0
Binary demand processing	0	CO1 -> F17 - 1
	ON	Active when BI = ON, OFF

Parameters	Default	Parameters: value range
Minimum flow temperature set point HC for binary demand processing	40.0 °C	PA1 -> P10: 5.0 to 150.0 °C

### Demand processing, 0 to 10 V

Regardless of the operating mode set for the control circuit concerned (except for manual mode), the controller regulates the flow temperature at least to the temperature corresponding with the 0 to 10 V signal connected to terminals 11/12.

Functions	Default	Configuration
Demand processing, 0 to 10 V	0	CO1, 2 -> F16 - 1
All Zero shift	0	CO5 -> F31 - 0
	0 °C	Lower transmission range: 0 to 150 °C
	120 °C	Upper transmission range: 0 to 150 °C
	0	CO5 -> F31 - 1
	5 %	Zero: 5 to 20 %
	0 °C	Lower transmission range: 0 to 150 °C
AA1 PWM	120 °C	Upper transmission range: 0 to 150 °C
	0	CO5 -> F34 - 0 Function: 0 to 10 V input
Binary demand processing	0	CO1 -> F17 - 0
Parameters	Default	Parameters: value range
Set point boost (pre-control circuit)	5.0 °C	PA1, 2: 0 to 50 °C

### 16.4.12 External demand using a 0 to 10 V signal

The controller can request a demand for the maximum flow set point (with boost, if need be) by issuing an analog 0 to 10 V signal for external demand. For this purpose, the 0 to 10 V output is used as an alternative to issuing the control signal.

Analog or binary demand processing can be integrated into the analog request for an external demand.

Functions	Default	Configuration
External demand	0	CO1 -> F18 - 1
	0.0 °C	Lower transmission range: 0.0 to 150.0 °C
	120.0 °C	Upper transmission range: 0.0 to 150.0 °C
	0.0 °C	Boost: 0.0 to 30.0 °C
AA1 PWM	0	CO5 -> F34 - 0 Function: external demand

### 16.4.13 Capacity limitation in Rk1

The capacity can be limited based on a pulse signal up to 800 pulse/h at BI2. Three different operating situations exist:

- A system with simultaneous room and DHW heating requires maximum energy.
- A system with a fully charged storage tank that is only used for room heating requires less energy.
- A system that suspends room heating during DHW heating requires less energy.

As a result, three different maximum limit values can be adjusted:

- Max. limit value to determine the absolute upper limit
- 'Max. limit (heating)' to operate room heating only
- Max. limit (DHW) to operate DHW heating only

In all systems without DHW heating or without heating circuit, only the Max. limit value for the capacity can be specified. If the 'Max. limit' or 'Max. limit (heating)' parameter is set to 'OT', a four-point characteristic configured in CO1 -> F11 - 1 allows the input of four capacity limits for outdoor-temperature-compensated capacity limitation in addition to the outdoor, flow and return flow temperature values.

All limits are adjusted as pulses per hour (pulses/h). As the reading for the current pulse rate P (pulse/h) is calculated based on the time interval between incoming pulses, the controller naturally cannot react immediately to every sudden capacity change in the system.

The flow set point of the control circuit Rk1 is reduced when the pulse rate reaches the currently valid maximum limit. The Limiting factor determines how strongly the controller responds.

#### Example to determine the limit:

If a capacity of 30 kW is to be limited, the following limit must be set in a heat meter, which issues one pulse per kilowatt hour:

$$P = \frac{30 \text{ kW}}{1 \text{ kWh/pulse}} = 30 \text{ pulses/h}$$

---

#### **i** Note

*If the controller indicates CO5 -> F00 - 1, any access to the return flow, flow rate and capacity settings is locked.*

---

Functions	Default	Configuration
Capacity limitation in Rk1	0 15 pulses/h 15 pulses/h 15 pulses/h 1.0	CO5 -> F10 - 1 Max. limit: OT to 800 pulses/h Max. limit (heating) <sup>1)</sup> : OT to 800 pulses/h Max. limit (DHW) <sup>1)</sup> : 1 to 800 pulses/h Limiting factor: 0.1 to 10.0
Capacity limitation in Rk1 using meter bus	0	CO6 -> F12 - 0

<sup>1)</sup> Not in systems Anl. 1.0, 1.5-1.9, 3.0, 3.5, 3.9, 4.0, 10.x, 11.x and 16.x

### 16.4.14 Creep feed rate limitation with a binary input

It is possible to report to the controller when the creep feed rate has fallen below a certain level by using a limit switch of the primary valve connected to the terminals 04/12 or to input RÜF1. Either the open ('Active when BI = OFF) or closed binary input ('Active when BI = ON) can be configured at terminals 04/12 to indicate that the creep feed rate has fallen below a certain level. Only the closed binary input at RÜF1 can be processed. Shortly after the alert, the controller closes the valve Rk1. As soon as the flow temperature falls below the set point by more than 5 °C after the valve has been closed, control operation is started again.

Functions	Default	Configuration
Creep feed rate limitation	0 Binary ON	CO5 -> F12 - 1 Switching mode: Binary (terminals 04/12), Analog (RÜF1) Active when BI = ON, OFF

### 16.4.15 Connecting potentiometers for valve position input

The FG1 and FG2 inputs can be used to connect potentiometers, for example to input valve positions when a resistance room sensor is not configured in the control circuit concerned. The measured values (in the measuring ranges from 0 to 2000 Ω) are displayed as measured value 9 (FG1) and 10 (FG2). They are available as Modbus data points.

Functions	Default	Configuration
Room sensor RF1, 2	0	CO1, 2 -> F01 - 0

### 16.4.16 Locking manual level

To protect the heating system, this function can be used to lock the manual level. When this function has been activated, automatic mode is started when the rotary switch is set to in-automatic mode.

Functions	Default	Configuration
Lock manual level	0	CO5 -> F21 - 1

### 16.4.17 Locking the rotary switch

When this function has been activated, the controller remains in automatic mode regardless of the rotary switch position. The rotary switch can no longer be used to adjust the controller settings. It is still possible to enter the key number.

Functions	Default	Configuration
Lock rotary switch	0	CO5 -> F22 - 1

### 16.4.18 Feeder pump operation

In systems An1 3.0 and 16.1, the feeder pump UP1 only starts to operate in the default setting when a flow temperature demand of a secondary controller exists. If CO5 -> F14 - 1 is configured, this is also the case when the control circuit Rk2 requires heat.

Functions	Default	Configuration
Operation UP1	0	CO5 -> F14 - 1

### 16.4.19 External demand for heat due to insufficient heat supply

An external heat source can be demanded using the 0 to 10 V output. The function block for a request for external demand CO1 -> F18 - 1 is automatically set. The function block parameters allow the transmission range to be determined. When a system deviation in Rk1 greater than 10 °C lasts longer than 30 minutes, a voltage signal corresponding to the actual demand is issued. At the same time, the Rk1 valve is forced to close. After 30 minutes, the external demand for heat is canceled (0 V issued) and the control signal output in Rk1 is enabled again.

## Annex A (configuration instructions)

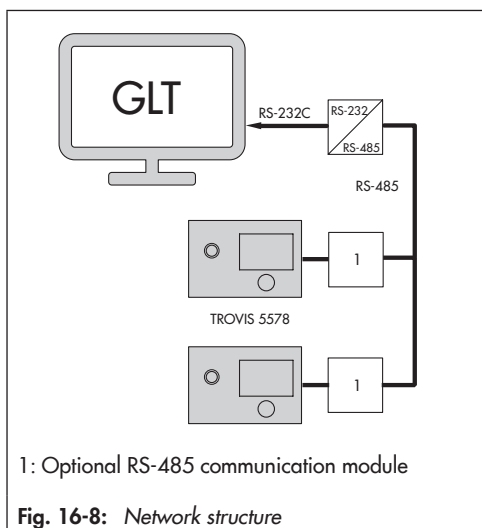
Functions	Default	Configuration
Demand for external heat	0	CO1 -> F20 - 1
External demand	0	CO1 -> F18 - 1
	0.0 °C	Lower transmission range: 0.0 to 150.0 °C
	120.0 °C	Upper transmission range: 0.0 to 150.0 °C
	0.0 °C	Boost: 0.0 to 30.0 °C
AA1 PWM	0	CO5 -> F34 - 0
		Function: external demand

### 16.5 Communication

Using the optional RS-485 communication module (Modbus RTU interface for two-wire bus networks), the TROVIS 5573-1 Heating Controller can communicate with a control system. In combination with a suitable software for process visualization and communication, a complete control system can be implemented.

#### **i** Note

The operating software can be updated over a data cable, provided Modbus has been activated (CO6 -> F01 - 1).



#### 16.5.1 RS-485 communication module

When looking onto the controller front, the connection for the optional communication module RS-485 (order no. 8812-2002) is located on the left side of the controller housing (RJ-45 port). The bus line links the control units/devices in an open ring. At the end of the bus line, the data cable is connected to the control station using an RS-485 to RS-232 converter (e.g. CoRe02).

The maximum range of the bus connection (cable length) is 1200 meters. For greater distances, repeaters (e.g. CoRe02) must be used to regenerate the signal level. A maximum of 246



devices with 8-bit addressing can be connected to a bus. If no communication is established between the control system and controller, the time of access by the control system can be restricted to dynamic process by the **monitoring** function. The controller resets the monitoring function, provided the valid Modbus requests are registered. However, in case of an error, all level bits are initialized back to "autonomous" after 30 minutes have elapsed.

### ⚠ NOTICE

#### **Risk of device damage caused by lightning and voltage surges.**

➔ Upon installation, observe the relevant standards and regulations governing lightning and overvoltage protection.

Functions	Default	Configuration
Modbus	1	CO6 -> F01 - 1
16-bit address	0	CO6 -> F02
Monitoring	0	CO6 -> F07
Parameters <sup>1)</sup>	Default	Parameters: value range
Modbus station address (8 bit)	255	PA6 -> P01: 1 to 247 with CO6 -> F02 - 1: 1 to 32000

#### 1) Description of communication parameter settings

##### – Modbus station address (8 bit)

This address is used to identify the controller in bus mode. In a system, each controller needs to be assigned a unique address.

## 16.5.2 Meter bus

### TROVIS 5573-110x version only

The controller has an interface for three M-bus units according to EN 1434-3. Flow rate and/or capacity limitations in Rk1 or Rk2 control circuit is possible on the basis of the values measured at heat meter HM1 and HM2.

### **i** Note

Details on the use of the different heat or water meters can be found in the technical documentation TV-SK 4000179038.

## 16.5.2.1 Activating the meter bus

To successfully transfer data from the heat meter, the heat meter must use a standardized protocol in accordance with EN 1434-3. It is not possible to make a general statement about which specific data can be accessed in each meter. Contact SAMSON to find out exact details concerning certain meter models. All necessary function block parameters to set up the communication with heat meters are available in CO6 -> F10. The meter bus address, model and reading mode must be specified for the heat meters HM1 to HM3. A meter bus address must be unique and correspond with the address set in the heat meter. If the preset meter bus address is unknown, a single heat meter connected to the controller can be assigned the meter bus address 254. The address 255 deactivates the communication with the respective heat meter. The model to be set for the heat meter can be found in TV-SK 4000179038. In general, the default setting of 1434 can be used for most devices. The meters can be read either automatically every 24 hours (approx.), continuously or when the coils (= Modbus data points) assigned to the heat meters are overwritten with the value 1 over the system bus interface.

<b>Meter</b>	
Z1 (Adr. 154)	Connected
Z2 (Adr. 255)	Deactivated
Z3 (Adr. 255)	Deactivated

The additional "meter" page is displayed with connection status for meters 1 to 3 in the "extended operating level" mode when the meter bus is activated. When 'Connected' status is displayed, the following data for each meter can be read by pressing the rotary pushbutton:

<b>Meter 1</b>	<b>p.1/2</b>
Flow rate	0.00 l/h
Volume	2213.0 m <sup>3</sup>
Capacity	0.00 kW
Energy	0.90 MWh
Flow	76.39 °C

- Flow rate
- Volume
- Capacity
- Energy
- Flow temperature (Flow)

<b>Meter 1</b>	<b>p.2/2</b>
Return flow	37.48 °C
ID no.	1154
Address	154

- Return flow temperature (Return flow)
- Meter ID (ID no.)
- Meter bus address (Address, sent by meter)

Functions	Default	Configuration
Meter bus	0	CO6 -> F10 - 1
	255	HM 1...3 address: 0 to 255
	1434	HM1...3 model: 1434, Multical3, Apator, SLS/WSF
	Continuous	HM1...3 mode: 24 h, Continuous, Coil
	Tar-A	Tariff: Tar-A, Tar-E (tariff schedule ON, OFF; only for HM1 with '1434' and 'Continuous' settings) Tar-E: the consumption data are assigned to a high tariff or a low tariff depending on the time schedule programmed in the customer level. Three time periods can be entered per day of the week (not vacations or public holidays): 1-7 daily, 1 = Monday, 2 = Tuesday, ..., 7 = Sunday

### 16.5.2.2 Flow rate and/or capacity limitation with meter bus

The refreshing rate of the measured variable (flow rate and/or capacity) must be less than five seconds to ensure that the limitation can be performed properly. Note that some makes, particularly battery-operated heat meters, respond with communication pauses when they are read too frequently. Others might run out of energy early.

- A system with simultaneous room and DHW heating requires maximum energy.
- A system with a fully charged storage tank that is only used for room heating requires less energy.
- A system that suspends room heating during DHW heating requires less energy.

As a result, three different maximum limit values for Rk1 can be adjusted in all systems with only one control valve and DHW heating on the secondary side:

- Max. limit value to determine the absolute upper limit
- Max. limit value for heating to operate room heating only
- Max. limit value for DHW to operate DHW heating only

If the 'Max. limit value for heating' parameter is set to 'OT', a four-point characteristic configured in CO1 -> F11 - 1 allows the input of four flow rate or capacity limits in addition to the outdoor, flow and return flow temperature values.

In all systems with two control valves, separate maximum limits can be adjusted for the flow rate or capacity.

### Flow limitation

All settings required to set up flow rate limitation are available in CO6 -> F11 and CO6 -> F13 for systems with two control valves. One after the other, the system's max. limit value and – for systems with only one control valve and DHW heating on the secondary side – the max. limit value for heating and the max. limit value for DHW have to be set. The 'Limiting factor' determines how strongly the controller responds when the limit values are exceeded in either direction. When the flow limitation is activated, the respective measuring and limit values are displayed in the extended operating level (see the 'Setup' section) after confirming the plant scheme.

#### **i** Note

If the controller indicates CO5 -> F00 - 1, any access to the return flow, flow rate and capacity settings is locked.

Functions	Default	Configuration
Meter bus	0	CO6 -> F10 - 1
	255	Heat meter 1...x address <sup>1)</sup> : 0 to 255
	1434	HM1...x model <sup>1)</sup> : 1434, CAL3, APAtO, SLS
	Continuous	Heat meter 1...x mode <sup>1)</sup> : 24 h, Continuous, Coil
Flow rate limitation in Rk1	0	CO6 -> F11 - 1
	1.5 m <sup>3</sup> /h	Max. limit: OT, 0.01 to 650 m <sup>3</sup> /h
	1.5 m <sup>3</sup> /h	Max. limit for heating: OT, 0.01 to 650 m <sup>3</sup> /h
	1.5 m <sup>3</sup> /h	Max. limit (DHW): 0.01 to 650 m <sup>3</sup> /h
Flow rate limitation in Rk2	1.0	Limiting factor: 0.1 to 10.0
	0	CO6 -> F13 - 1
	1.5	Max. limit: 0.01 to 650
	1.0	Limiting factor: 0.1 to 10.0

<sup>1)</sup> HM1...3

### Capacity limitation

All necessary function block parameters to set up the capacity limitation are available in CO6 -> F12 and CO6 -> F14 for systems with two control valves. One after the other, the system's max. limit or max. limit for heating and the max. limit for DHW for systems with only one control valve and secondary DHW heating have to be set. The 'Limiting factor' determines how strongly the controller responds when the limit values are exceeded in either direction. When the capacity limitation is activated, the respective measuring and limit values are displayed in the extended operating level (see the 'Se' section) after confirming the plant scheme.

**i Note**

If the controller indicates CO5 -> F00 - 1, any access to the return flow, flow rate and capacity settings is locked.

Functions	Default	Configuration
Meter bus	0	
	255	CO6 -> F10 - 1
	1434	Heat meter 1...x address <sup>1)</sup> : 0 to 255
	Continuous	HM1...x model <sup>1)</sup> : 1434, CAL3, APAtO, SLS Heat meter 1...x mode <sup>1)</sup> : 24 h, Continuous, CoIL
Capacity limitation in Rk1	0	CO6 -> F12 - 1
	1.5 kW	Max. limit: OT, 0.1 to 6500 kW
	1.5 kW	Max. limit for heating: OT, 0.1 to 6500 kW
	1.5 kW	Max. limit (DHW): 0.1 to 6500 kW
	1.0	Limiting factor: 0.1 to 10.0
Capacity limitation in Rk2	0	CO6 -> F14 - 1
	1.5 kW	Max. limit: 0.1 to 6500 kW
	1.0	Limiting factor: 0.1 to 10.0

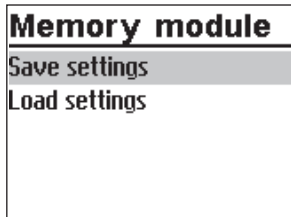
<sup>1)</sup> HM1...3

### 16.5.3 Memory module/mini module

The use of a memory module (order no. 1400-9379) or mini module (order no. 1400-7436) is particularly useful to transfer all data from one TROVIS 5573-1 Controller to several other TROVIS 5573-1 Controllers.

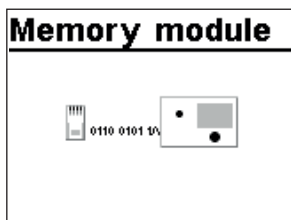
**i Note**

In contrast to the memory module, the mini module is not suitable for transferring the programmed vacations to the individual control circuits or a data logging configuration programmed in TROVIS-VIEW.

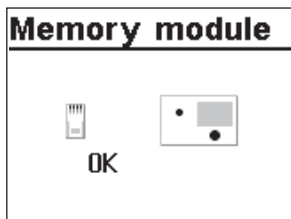


The memory module/mini module is plugged into the RJ-45 connector socket located at the side of the controller. Once the module has been connected, 'Save settings' appears on the controller display. If the memory module already contains data from a different TROVIS 5573-1 Controller, turn the rotary pushbutton until 'Load settings' is displayed.

- Pressing the rotary pushbutton to confirm 'Save settings' causes the controller settings to be transferred to the memory module/mini module.
- Pressing the rotary pushbutton to confirm 'Load settings' causes the controller settings to be transferred from the memory module/mini module.



During data transfer, the zeros and ones run across the display. When the transfer was successful, 'OK' is displayed. After that, the connection between controller and memory module/mini module can be terminated.

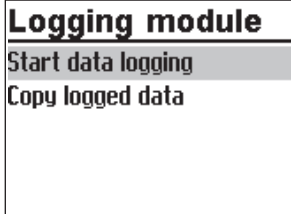


Using TROVIS-VIEW (order no. 6661-1014), it is possible to configure all controller settings on a convenient user interface at the computer and to document these settings.

## 16.5.4 Data logging

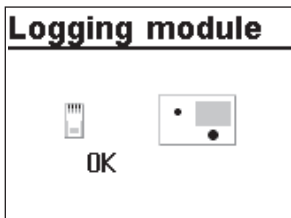
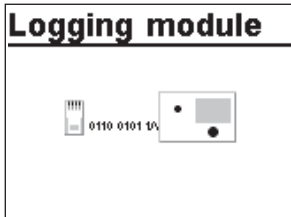
A data logging module (order no. 1400-9378) saves the following controller data every two minutes:

- Temperatures measured by the sensors
- Control signals in %
- Switching states of the pump outputs



The data logging module is plugged into the RJ-45 connector socket located at the side of the controller. Once the module has been connected, 'Start data logging' and 'Copy logging data' appear on the controller display.

- Pressing the rotary pushbutton to confirm 'Start data logging' causes the above listed operating values to be saved cyclically to the inserted data logging module. The controller display returns to the reading indicated when the data logging module was connected.
- Pressing the rotary pushbutton to confirm 'Copy logging data' causes already logged data to be transferred from the memory controller to the data logging module. During data transfer, the zeros and ones run across the display. When the transfer was successful, 'OK' is displayed. After that, the connection between controller and data logging module can be terminated.



### **i** Note

- *The controller starts to write over the oldest data as soon the memory of the data logging module is full after approximately eight days. The current memory capacity of the data logging module can be read in the extended operating level under 'Logging memory' as the second value in the sequence (range of values: 0 to 6035). Directly after inserting the data logging module, data can be first read after the first scanning cycle has been performed.*
  - *The internal memory of the controller is full after approx. 14 days. After that, the controller starts to write over the oldest data.*
- 

The data log viewer software allows the data to be viewed in graph format. The USB converter 3 (order no. 1400-9377) is required to connect the data logging module to a computer. The data log viewer software is supplied together with the USB converter 3.



## 16.6 Function block lists

### CO1: Rk1 · Heating circuit 1 (not system Anl 1.9)<sup>1)</sup>

F	Function	WE	Anl	Comments Function block parameters: value range (default setting)
01	Room sensor	0	Not systems Anl 1.5, 1.6, 3.x, 16.x	CO1 -> F01 - 1: Room sensor RF1, temperature reading and FG1 input for Type 5244 and Type 5257-5 Room Panels active
02	Outdoor sensor	0	1.5, 1.6	CO1 -> F02 - 1: Outdoor sensor AF1, outdoor-temperature-compensated control active
		1	Not Anl 1.5, 1.6	
03	Return flow sensor	0	1.2	CO1 -> F03 - 1: Return flow sensor RüF1; limitation function active <b>Function block parameters:</b> KP (limiting factor): 0.1 to 10.0 (1.0)
		1	Not Anl 1.2	
04	Cooling control	0	All <sup>1)</sup>	CO1 -> F04 - 1: Cooling control, only with CO1 -> F11 - 1 The cooling control function causes a reversal of the operating direction and a minimum limitation of the return flow temperature in Rk1.
05	Underfloor heating	0	Not systems Anl 1.5, 1.6, 3.x, 16.x	CO1 -> F05 - 1: Underfloor heating/drying of jointless floors <b>Function block parameters:</b> Boost: 0.0 to 50.0 °C (0.0 °C) Start temperature: 20.0 to 60.0 °C (25 °C) Hold (days): 0 to 10 days (0 days) Temp. rise/day: 0.0 to 10.0 °C (5.0 °C) Maximum temperature: 25.0 to 60.0 °C (45.0 °C) Hold (days): 0 to 10 days (4 days) Temp. reduction/day: 0.0 to 10.0 °C (0.0 °C) Start condition: Stop, Start, Hold, Reduction
06	Storage tank sensor SF2	1	System Anl 16.x only	CO1 -> F06 - 1: Activate SF2 to switch off charging of the buffer tank
07	Optimization	0	Not systems Anl 1.5, 1.6, 3.x, 16.x	CO1 -> F07 - 1: Optimization of heating times (only when CO1 > F01 - 1 and CO1 -> F02 - 1)
08	Adaptation	0	Not systems Anl 1.5, 1.6, 3.x, 16.x	CO1 -> F08 - 1: Heating characteristic adaptation (only when CO1 -> F01 - 1, CO1 -> F02 - 1 and CO1 -> F11 - 0)

## Annex A (configuration instructions)

F	Function	WE	Anl	Comments Function block parameters: value range (default setting)
09	Flash adaptation	0	Not systems Anl 1.5, 1.6, 3.x, 16.x	CO2 -> F09 - 1: Flash adaptation of flow temperature (only when CO1 -> F01 - 1) <b>Function block parameters:</b> Cycle time: 0 or 1 to 100 min (20 min) KP (gain): 0.0 to 25.0 (0.0)
11	Four-point characteristic	0	Not Anl 1.5, 1.6	CO1 -> F11 - 1: Four-point characteristic (only when CO1 -> F08 - 0) CO1 -> F11 - 0: Gradient characteristic
12	Three-step control mode	1	All <sup>1)</sup>	CO1 -> F12 - 1: Three-step control <b>Function block parameters:</b> KP (gain): 0.1 to 50.0 (2.0) Tn (reset time): 1 to 999 s (120 s) TV (derivative-action time): 0 to 999 s (0 s) TY (valve transit time): 1.5, ..., 240 s (35 s) CO1 -> F12 - 0: On/off control <b>Function block parameters:</b> Hysteresis: 1.0 to 30.0 °C (5.0 °C) Min. ON time: 0 to 10 min (2 min) Min. OFF time: 0 to 10 min (2 min)
13	Damping	0	All <sup>1)</sup>	CO1 -> F13 - 1: OPEN signal damping (only when CO1 -> F12 - 1) <b>Function block parameters:</b> Max. system deviation: 3.0 to 10.0 °C (3.0 °C)
14	Release	0	All <sup>1)</sup>	CO1 -> F14 - 1: Release Rk1 at BI1; FG1 has no function <b>Function block parameters:</b> Active when BI = ON, OFF (ON)
16	Demand processing, 0 to 10 V Terminals 11/12	0	All <sup>1)</sup>	CO1 -> F16 - 1: Demand processing with 0 to 10 V signal (only with CO1 -> F17 - 0)
17	Binary demand processing Terminals 03/12	0	All <sup>1)</sup>	CO1 -> F17 - 1: Binary demand processing (only with CO1 -> F16 - 0 and CO2 -> F01 - 0 and CO4 -> F02 - 0) <b>Function block parameters:</b> Active when BI = ON, OFF (ON)

F	Function	WE	Anl	Comments Function block parameters: value range (default setting)
18	External demand	0	All <sup>1)</sup>	CO1 -> F18 - 1: External demand using a 0 to 10 V signal The standardized signal output (terminals 11/12) is not available anymore as a control output. The maximum flow set point (with boost, if applicable) is demanded as a 0 to 10 V signal at the standardized signal output. <b>Function block parameters:</b> Lower transmission range: 0.0 to 150.0 °C (0.0 °C) Upper transmission range: 0.0 to 150.0 °C (120.0 °C) Boost: 0.0 to 30.0 °C (0.0 °C)
20	Demand for external heat	0	All	CO1 -> F20 - 1: External demand for heat due to insufficient heat supply
21	Speed control of the charging pump	0	System Anl 16.x only	CO1 -> F21 - 1: Temperature-based adaptation of the delivery rate of the charging pump <b>Function block parameters:</b> Start speed reduction - limit: 5.0 to 90.0 °C (40.0 °C) Stop speed reduction - limit: 5.0 to 90.0 °C (50.0 °C) Minimum speed: 0 to 50 % (20 %)
22	SLP depending on return flow temperature	0	System Anl 16.x only	CO1 -> F22 - 1: Storage tank charging pump not ON unless return flow hot
23	Differential temperature control	0	System Anl 1.0, 16.0 only	CO1 -> F23 - 1: Activation of differential temperature control <b>Function block parameters:</b> Set point of differential temperature control: 0.0 to 50.0 °C (20.0 °C) KP (influence factor): 0.1 to 10.0 (1.0) Minimum speed: 0 to 100 % (20 %)
24	Demand only	0	All <sup>1)</sup>	CO1 -> F24 - 1: Rk1 works as a feeder circuit. Rk1 only processes external demand for heating; UP1 runs depending on demand.
27	Discharging protection	0	System Anl 16.x only	CO1 -> F27 - 1: discharging protection active
28	Variable night set-back	0	Not systems Anl 1.5x, 1.6, 3.x, 16.x	CO1 -> F28 - 1: variable night set-back (only when CO1 -> F11 - 0) <b>Function block parameters:</b> OTL night 100 %: -50.0 to 20.0 °C (5.0 °C) OTL day 0 %: -50.0 to 5.0 °C (-15 °C)

F Function block number, WE Default setting, Anl System code number

## Annex A (configuration instructions)

### CO2: Rk2 · Heating circuit 2 (systems Anl 3.x, 4.x and 10.0, 16x) <sup>1)</sup>

F	Function	WE	Anl	Comments Function block parameters: value range (default setting)
01	Room sensor	0	All <sup>1)</sup>	CO2 -> F01 - 1: Room sensor RF2, temperature reading and FG1 input for Type 5244 and Type 5257-5 Room Panels active
02	Outdoor sensor	1	All <sup>1)</sup>	CO2 -> F02 - 1: with outdoor sensor AF1, outdoor-temperature-compensated control active
03	Return flow sensor	0	3.0, 4.x, 16.x	CO2 -> F03 - 1: Return flow sensor RfF2; limitation function active <b>Function block parameters:</b> KP (limiting factor): 0.1 to 10.0 (1.0)
		1	10.x	
04	Cooling control	0	All <sup>1)</sup>	CO2 -> F04 - 1: Cooling control, only when CO2 -> F11 - 1 The cooling control function causes a reversal of the operating direction and a minimum limitation of the return flow temperature in RK2.
05	Underfloor heating	0	All <sup>1)</sup>	CO2 -> F05 - 1: Underfloor heating/drying of jointless floors <b>Function block parameters:</b> Boost: 0.0 to 50.0 °C (0.0 °C) Start temperature: 20 to 60 °C (25 °C) Hold (days): 0 to 10 days (0 days) Temp. rise/day: 0.0 to 10.0 °C (5.0 °C) Maximum temperature: 25.0 to 60.0 °C (45.0 °C) Hold (days): 0 to 10 days (4 days) Temp. reduction/day: 0.0 to 10.0 °C (0.0 °C) Start condition: Stop, Start, Hold, Reduction
07	Optimization	0	All <sup>1)</sup>	CO2 -> F07 - 1: Optimization of heating times (only when CO2 > F01 - 1 and CO2 -> F02 - 1)
08	Adaptation	0	All <sup>1)</sup>	CO2 -> F08 - 1: Heating characteristic adaptation (only with CO2 -> F01 - 1, F02 - 1 and F11 - 0)
09	Flash adaptation	0	All <sup>1)</sup>	CO2 -> F09 - 1: Flash adaptation of flow temperature (only when CO2 -> F01 - 1) <b>Function block parameters:</b> Cycle time: 0 or 1 to 100 min (20 min) KP (gain): 0.0 to 25.0 (0.0)
11	Four-point characteristic	0	All <sup>1)</sup>	CO2 -> F11 - 1: Four-point characteristic (only when CO2 -> F08 - 0) CO2 -> F11 - 0: Gradient characteristic

F	Function	WE	Anl	Comments Function block parameters: value range (default setting)
12	Three-step control mode	1	All <sup>1)</sup>	CO2 -> F12 - 1: Three-step control <b>Function block parameters:</b> KP (gain): 0.1 to 50.0 (2.0) Tn (reset time): 1 to 999 s (120 s) TV (derivative-action time): 0 to 999 s (0 s) TY (valve transit time): 15, ..., 240 s (35 s) CO2 -> F12 - 0: On/off control <b>Function block parameters:</b> Hysteresis: 1.0 to 30.0 °C (5.0 °C) Min. ON time: 0 to 10 min (2 min) Min. OFF time: 0 to 10 min (2 min)
13	Damping	0	All <sup>1)</sup>	CO2 -> F13 - 1: OPEN signal damping (only when CO1 -> F12 - 1) <b>Function block parameters:</b> Max. system deviation: 3.0 to 10.0 °C (3.0 °C)
14	Release	0	All <sup>1)</sup>	CO2 -> F14 - 1: Release Rk2 at BI2; FG2 has no function <b>Function block parameters:</b> Active when BI = ON, OFF (ON)
16	Demand processing, 0 to 10 V Terminals 11/12	0	All <sup>1)</sup>	CO2 -> F16 - 1: Demand processing in Rk2
24	Demand only		All <sup>1)</sup>	CO2 -> F24 - 1: Rk2 works as a feeder circuit. Rk2 only processes external demand for heating; UP2 runs depending on demand.
28	Variable night set-back	0	Not Anl 3.5	CO2 -> F28 - 1: variable night set-back (only when CO2 -> F11 - 0) <b>Function block parameters:</b> OTL night 100 %: -50.0 to 20.0 °C (5.0 °C) OTL day 0 %: -50.0 to 5.0 °C (-15 °C)

F Function block number, WE Default setting, Anl System code number

## Annex A (configuration instructions)

### CO4: DHW circuit (systems Anl 1.1–1.3, 1.5, 1.6, 1.9, 2.x, 4.1, 4.5, 11.x)<sup>1)</sup>

F	Function	WE	Anl	Comments Function block parameters: value range (default setting)
01	Storage tank sensor SF1	1	1.1–1.3, 1.5, 1.6, 2.x, 4.1, 4.5, 11.0, 11.2	CO4 -> F01 - 1: Storage tank sensor SF1 CO4 -> F01 - 0: Storage tank thermostat (only with CO4 -> F02 - 0; not system Anl 11.0)
		0	1.9, 11.9	
02	Storage tank sensor SF2	0	1.1, 1.3, 1.5, 2.0, 2.1, 2.3, 4.1, 4.5, 11.0, 11.1, 11.5	CO4 -> F02 - 1: Storage tank sensor SF2 (only with CO4 -> F01 - 1; not systems Anl 1.3, 1.9, 2.3, 11.0 and 11.9)
		1	1.2, 1.6, 2.2, 11.2	
03	Return flow sensor RÜF2	0	1.9, 11.x	CO4 -> F03 - 1: Return flow sensor RÜF2; limitation function active <b>Function block parameter:</b> KP (limiting factor): 0.1 to 10.0 (1.0)
04	Water flow sensor	0	1.9, 11.9	CO4 -> F04 - 1: Flow rate sensor at BI2 <b>Function block parameter:</b> Select: Analog/Binary (Analog) <sup>1)</sup> <sup>1)</sup> Analog = water flow sensor (1400-9246) Binary = flow switch at terminals 10/12
05	Flow sensor	0	1.1, 1.2, 1.6, 2.2	CO4 -> F05 - 1: Flow sensor VF4 (to measure storage tank charging temperature)
06	Parallel pump operation	0	2.1–2.3, 4.1, 4.5	CO4 -> F06 - 1: Parallel pump operation <b>Function block parameters:</b> Stop: 0 to 10 min (10 min) Temperature limit: 20.0 to 90.0 °C (40.0 °C) CO4 -> F06 - 0: UP1 switched off during DHW heating
07	Intermediate heating	1	2.x, 4.1, 4.5	CO4 -> F07 - 1: after 20 minutes of DHW heating, heating operation in UP1 circuit reactivated for 10 minutes CO4 -> F07 - 0: storage tank charging is given unlimited priority concerning UP1 circuit

F	Function	WE	Anl	Comments Function block parameters: value range (default setting)
08	Priority (reverse)	0	1.1–1.3, 4.1, 4.5, 11.x	CO4 -> F08 - 1: Priority by reverse control (only when CO4 -> F09 - 0) <b>Function block parameters:</b> Start: 0 to 10 min (2 min) KP (influence factor): 0.1 to 10.0 (1.0) only system Anl 4.5: Control circuit: HC1, HC2, HC1+HC2 (HC2)
09	Priority (set-back)	0	1.1–1.3, 4.1, 4.5, 11.x	CO4 -> F09 - 1: Priority through set-back operation (only when CO4 -> F08 - 0) <b>Function block parameters:</b> Start: 0 to 10 min (2 min) Control circuit: HC1, HC2, HC1+HC2 (only system Anl 4.5)
10	Circulation pump (DHW) integrated into heat exchanger	0	1.6, 11.2	CO4 -> F10 - 1: Control of DHW circuit active while circulation pump (ZP) is running
		1	11.6	
11	Operation of circulation pump (DHW) during storage tank charging	0	1.1–1.3, 1.5, 1.6, 2.x, 4.1, 4.5, 11.1, 11.2	CO4 -> F11 - 1: Circulation pump (ZP) runs according to time schedule during storage tank charging CO4 -> F11 - 0: Circulation pump (ZP) switched off during storage tank charging
12	Control mode	1	1.9, 11.x	CO4 -> F12 - 1: Three-step control <b>Function block parameters:</b> KP (gain): 0.1 to 50.0 (2.0) Tn (reset time): 1 to 999 s (120 s) TV (derivative-action time): 0 to 999 s (0 s) TY (valve transit time): 15, ..., 240 s (35 s) CO4 -> F12 - 0: On/off control <b>Function block parameters:</b> Hysteresis: 1.0 to 30.0 °C (5.0 °C) Min. ON time: 0 to 10 min (2 min) Min. OFF time: 0 to 10 min (2 min)
13	Damping	0	All <sup>1)</sup>	CO4 -> F13 - 1: OPEN signal damping (only when CO4 -> F12 - 1) <b>Function block parameters:</b> Max. system deviation: 3.0 to 10.0 °C (3.0 °C)

## Annex A (configuration instructions)

F	Function	WE	Anl	Comments Function block parameters: value range (default setting)
14	Thermal disinfection	0	All <sup>1)</sup>	CO4 -> F14 - 1: Thermal disinfection (only when CO4 -> F01 - 1) <b>Function block parameters &gt;</b> Day of week: Monday, Tuesday, ..., daily (Wednesday) Time: Adjustable as required (00:00 – 04:00) Disinfection temperature: 60.0 to 90.0 °C (70.0 °C) Duration: 0 to 255 min (0 min) Active when BI = OFF, ON (ON) only possible with setting Start time = Stop time and without SF2/RF2. Input: terminals 03/12
15	SLP depending on return flow temperature	0	1.5, 2.0, 2.1, 2.3, 4.1, 11.1	CO4 -> F15 - 1: storage tank charging pump not ON unless return flow hot (for systems Anl 1.5, 1.7, 2.0, 2.1, 2.3, 4.1, 4.3, 5.1 only when CO1 -> F03 - 1; for system Anl 11.1 only when CO4 -> F03 - 1)
16	Priority for external demand	0	1.5, 1.6, 2.x, 4.1	CO4 -> F16 - 1: Priority for external demand <b>Note:</b> a high external demand causes excessive charging temperatures in DHW circuits without control valve.
19	Switchover	0	1.1–1.3, 1.5, 1.6, 2.x, 4.1, 4.5, 11.1, 11.2	CO4 -> F19 - 1: Switchover SF1, SF2 according to a time schedule. SF1 applies for day mode and SF2 for night mode (only when CO4 -> F02 - 1)
20	Return flow control	0	11.1	CO4 -> F20 - 1: DHW circuit additionally controlled by a globe valve
21	Speed control of the charging pump	0	1.1–1.3, 1.5, 1.6, 2.x, 4.1, 11.1, 11.2	CO4 -> F21 - 1: Temperature-based adaptation of the delivery rate of the charging pump <b>Function block parameters:</b> Start speed reduction - limit: 5.0 to 90.0 °C (40.0 °C) Stop speed reduction - limit: 5.0 to 90.0 °C (50.0 °C) Min. speed signal: 0 to 50 % (20 %)
22	Cold charging protection	0	1.1	CO4 -> F22 - 1: Storage tank charging started when the primary flow temperature is high enough <b>Function block parameter:</b> Valve position: 1 to 100 %
24	Bottom sensor for thermal disinfection	0	1.2, 1.6, 11.2, 11.6	CO4 -> F24 - 1: only when CO4 -> F14 - 1 Sensor RUF2 as switch-off sensor active



F	Function	WE	Anl	Comments Function block parameters: value range (default setting)
27	Discharging protection	0	Not systems Anl 1.1-1.3, 1.9, 11.0, 11.9	CO4 -> F27 - 1: discharging protection active


F Function block number, WE Default setting, Anl System code number

### CO5: System-wide functions (all systems)

If the controller indicates CO5 -> F00 - 1, any access to the return flow, flow rate and capacity settings is locked.

F	Function	WE	Anl	Comments Function block parameters: value range (default setting)
01	Sensor type	1	All <sup>1)</sup>	CO5 -> F01 - 1, F02 - 0: Pt 1000
02				CO5 -> F01 - 0, F02 - 0: PTC
03				CO5 -> F01 - 1, F02 - 1: Ni 1000
04	Summer mode	0	Not systems Anl 1.5, 1.6, 1.9, 3.5	CO5 -> F04 - 1: Summer mode <b>Function block parameters:</b> Time: Adjustable as required (01.06. - 30.09.) No. days until activation: 1 to 3 (2) No. days until deactivation: 1 to 3 (1) Limit: 0.0 to 30.0 °C (18.0 °C)
05	Delayed outdoor temperature adaptation (decreasing)	0	Not Anl 1.9	CO5 -> F05 - 1 <b>Function block parameters:</b> Delay/h: 0.2 to 6.0 °C (3.0 °C)
06	Delayed outdoor temperature adaptation (increasing)	0	Not Anl 1.9	CO5 -> F06 - 1 <b>Function block parameters:</b> Delay/h: 0.2 to 6.0 °C (3.0 °C)
07	Error message	0	Not Anl 4.1, 4.5, 11.1, 11.2, 11.3, 11.6, 16.1, 16.6	CO5 -> F07 - 1: Terminal for error message (see plant scheme table) <b>Function block parameters:</b> Relay contact = NO contact, NC contact (NO contact)
08	Summer time	0	All	CO5 -> F08 - 1: Summer/standard time switchover

## Annex A (configuration instructions)

F	Function	WE	Anl	Comments Function block parameters: value range (default setting)
09	Frost protection	1	Not systems Anl 1.5, 1.6, 1.9, 3.5	CO5 -> F09 - 1: Highest priority for frost protection <b>Function block parameters:</b> Limit: -15.0 to 3.0 °C (3.0 °C)
		0	1.5, 1.6, 1.9, 3.5	CO5 -> F09 - 0: Restricted frost protection <b>Function block parameters:</b> Limit: -15.0 to 3.0 °C (3.0 °C)
10	Capacity limitation Input BI2	0	Not Anl 1.9	CO5 -> F10 - 1: Capacity limitation in Rk1 with pulses (only when CO6 -> F12 - 0) <b>Function block parameters:</b> Max. limit: OT to 800 pulses/h (15 pulses/h) Max. limit (heating) <sup>1)</sup> : OT to 800 pulses/h (15 pulses/h) Max. limit (DHW) <sup>1)</sup> : 1 to 800 pulses/h (15 pulses/h) Limiting factor: 0.1 to 10.0 (1.0) <sup>1)</sup> Not systems Anl 1.0, 1.5-1.9, 3.0, 3.5, 4.0, 10.x, 11.x, 16.x
12	Creep feed rate limitation	0	Not Anl 1.9	CO5 -> F12 - 1: Creep feed rate limitation <b>Function block parameters:</b> Switching mode: Binary, analog (binary) Active when BI = ON, OFF (ON)
14	Operation UP1	0	3.0, 16.x	CO5 -> F14 - 1: Feeder pump UP1 operation to cover own demand <b>Note:</b> the feeder pump UP1 also starts to operate to cover the demand of Rk2.
15	Release	0	All	CO5 -> F15 - 1: Release controller at BI1 <b>Function block parameters:</b> Active when BI = ON, OFF (ON)
16	Return flow temperature limitation (proportional controller)	0	All	CO5 -> F16 - 1: Return flow temperature limitation with P algorithm
19	Monitoring	0	All	CO5 -> F19 - 1: Temperature monitoring
20	Sensor calibration	1	All	CO5 -> F20 - 1: Set all sensor calibration values CO5 -> F20 - 0: Delete all sensor calibration values
21	Lock manual level	0	All	CO5 -> F21 - 1: Lock the rotary switch Controller runs in automatic mode in  switch position

F	Function	WE	Anl	Comments Function block parameters: value range (default setting)
22	Lock rotary switch	0	All	CO5 -> F22 - 1: Lock the rotary switch It is still possible to enter the key number.
23	OT with 0-10 V	0	All	CO5 -> F23 - 1: Outdoor temperature received or sent as 0 to 10 V signal (terminals 11/12) <b>Function block parameters:</b> Direction: Input, Output (Input) Lower transmission range: -50.0 to 100.0 °C (-20.0 °C) Upper transmission range: -50.0 to 100.0 °C (50.0 °C)
24	0 to 10 V input	0	All	CO5 -> F24 - 1: The measured value at 0 to 10 V input is displayed as a special value.
25	AA1 reverse 0 to 10 V output	0	All	CO5 -> F25 - 0: 0 V/0 % = Valve CLOSED/pump OFF CO5 -> F25 - 1: 0 V/0 % = Valve OPEN/pump with max. delivery rate <b>Function block parameters:</b> Zero: 0 to 50 % (0 %)
31	AE1 zero 0 to 10 V input	0	All <sup>1)</sup>	CO5 -> F31 - 1 <b>Function block parameters:</b> Zero: 5 to 20 % (5 %) Lower transmission range: 0 to 150 °C (0 °C) Upper transmission range: 0 to 150 °C (120 °C)
34	AA1 PWM 0 to 10 V output	0	All	CO5 -> F34 - 0/-1: Hardware of TROVIS 5573 cannot process a PWM signal at the 0 to 10 V output. <b>Function block parameters:</b> Function: 0 to 10 input, Y1, Y2, 10 V supply, 3 V supply, differential temperature control, SLP speed, external demand, outdoor temperature (Y1)

F Function block number, WE Default setting, Anl System code number

### CO6: Modbus (all systems)

F	Function	WE	Anl	Comments Function block parameters: value range (default setting)
01	Modbus	1	All	CO6 -> F01 - 1: Modbus active
02	16-bit address	0	All	CO6 -> F02 - 1: Modbus 16-bit addressing (only with CO6 -> F01 - 1) CO6 -> F02 - 0: Modbus 8-bit addressing

## Annex A (configuration instructions)

F	Function	WE	Anl	Comments Function block parameters: value range (default setting)
03	Modem	0	All	CO6 -> F03...F06 is required to configure the error message transfer to a connected Modbus/GPRS gateway (1402-0701).
04	Automatic configuration	0	All	
05	Lock dial-up to building automation system	0	All	
06	Dial-up also upon corrected error	0	All	
07	Monitoring	0	All	CO6 -> F07 - 1: Control system monitoring > Resets all level bits to "autonomous" when there is no communication (only when CO6 -> F01 - 1)
08	Text message	0	All	CO6 -> F08 is required to configure the error message transfer to a connected Modbus/GPRS gateway (1402-0701).
10	Meter bus (TROVIS 5573-110x only)	0	All	CO6 -> F10 - 1: Meter bus active <b>Function block parameters:</b> Heat meter 1...x address <sup>1)</sup> : 0 to 255 (255) HM1...x model <sup>1)</sup> : 1434, CAL3, APAT0, SLS (1434) Heat meter 1...x mode <sup>1)</sup> : 24 h, Continuous, Coil For HM1 with '1434' and 'Continuous' settings, additionally: Additionally: <b>Select:</b> Tariff: Tar-A, Tar-E (Tar-A, tariff schedule OFF) <sup>1)</sup> HM1...3
11	Flow rate limitation in Rk1	0	Not Anl 1.9	CO6 -> F11 - 1: Flow rate limitation (only when CO6 -> F10 - 1 and HM1 is activated) <b>Function block parameters:</b> Max. limit: OT, 0.01 to 650 m <sup>3</sup> /h (1.5 m <sup>3</sup> /h) Max. limit for heating <sup>1)</sup> : OT, 0.01 to 650 m <sup>3</sup> /h (1.5 m <sup>3</sup> /h) Max. limit (DHW) <sup>1)</sup> : 0.01 to 650 m <sup>3</sup> /h (1.5 m <sup>3</sup> /h) Limiting factor: 0.1 to 10 (1)
12	Capacity limitation in Rk1	0	Not Anl 1.9	CO6 -> F12 - 1: Capacity limitation (only when CO6 -> F10 - 1 and HM1 is activated) <b>Function block parameters:</b> Max. limit: OT, 0.1 to 6500 kW (1.5 kW) Max. limit for heating <sup>1)</sup> : OT, 0.1 to 6500 kW (1.5 kW) Max. limit (DHW) <sup>1)</sup> : 0.1 to 6500 kW (1.5 kW) Limiting factor: 0.1 to 10 (1)

F	Function	WE	Anl	Comments Function block parameters: value range (default setting)
13	Flow rate limitation in Rk2	0	Anl 3.0, 4.x, 10.0, 11.x	CO6 -> F13 - 1: Flow rate limitation (only when CO6 -> F10 - 1 and HM2 is activated) <b>Function block parameters:</b> Max. limit: 0.01 to 6500 m <sup>3</sup> /h (1.5 m <sup>3</sup> /h) Limiting factor: 0.1 to 10 (1)
14	Capacity limitation in Rk2	0	Anl 3.0, 4.x, 10.0, 11.x	CO6 -> F14 - 1: Capacity limitation (only when CO6 -> F10 - 1 and HM2 is activated) <b>Function block parameters:</b> Max. limit: 0.1 to 6500 kW (1.5 kW) Limiting factor: 0.1 to 10 (1)
17	Return flow temperature limitation based on capacity	0	All	CO6 -> F17 - 1: new maximum return flow limit at a capacity higher than the max. limit (only when CO6 -> F10 - 1 and activated heat meter) <b>Function block parameters:</b> Max. limit: 0.1 to 6500 kW (1.5 kW) Max. return flow temperature: 5.0 to 90 °C (55 °C)
20	Modbus without building automation system	0	All	CO6 -> F20 - 1: Various Modbus specifications do not have any effect on the collective level/building automation system reading
				<sup>1)</sup> Not systems Anl. 1.0, 1.5–1.9, 3.0, 3.5, 4.0, 10.0, 11.x

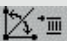

F Function block number, WE Default setting, Anl System code number

### CO8: Initialization of BI1 and BI2 (all systems)

F	Function	WE	Anl	Comments Function block parameters: value range (default setting)
01	Analysis of BI1	0	All	CO8 -> F01 - 1: Analysis active <b>Function block parameters:</b> Error message when BI = 0, BI = 1, none (1)
02	Analysis of BI2	0	All	CO8 -> F02 - 1: Analysis active <b>Function block parameters:</b> Error message when BI = 0, BI = 1, none (1)


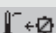
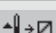
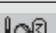

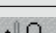
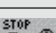
## 16.7 Parameter lists

### PA1: Heating circuit HC1

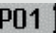



P	Reading	Parameter: Value range (default setting)
01	<b>P01</b>  <b>1.2</b>	Flow gradient: 0.2 to 3.2 (1.2) 0.2 to 1.0 (0.5) when CO1 -> F05 - 1
02	<b>P02</b>  <b>0.0°C</b>	Level (parallel shift): -30.0 to 30.0 °C (0.0 °C)
03	<b>P03</b> <b>50.0°C</b>	Flow set point (day) (only when CO1 -> F02 - 0 and CO1 -> F09 - 1): -5.0 to 150.0 °C (50.0 °C)
04	<b>P04</b> <b>30.0°C</b>	Flow set point (night) (only when CO1 -> F02 - 0 and CO1 -> F09 - 1): -5.0 to 150.0 °C (30.0 °C)

P	Reading	Parameter: Value range (default setting)																				
05	 <table border="1"> <tr> <td>↓</td> <td>-15°</td> <td>-5°</td> <td>5°</td> <td>15°</td> </tr> <tr> <td>▨</td> <td>70°</td> <td>55°</td> <td>40°</td> <td>25°</td> </tr> <tr> <td>▨</td> <td>60°</td> <td>40°</td> <td>20°</td> <td>20°</td> </tr> <tr> <td>↕</td> <td>65°</td> <td>65°</td> <td>65°</td> <td>65°</td> </tr> </table>	↓	-15°	-5°	5°	15°	▨	70°	55°	40°	25°	▨	60°	40°	20°	20°	↕	65°	65°	65°	65°	Four-point characteristic  Outdoor temperature: -5.0 to 50.0 °C (-15.0 °C, -5.0 °C, 5.0 °C, 15.0 °C) When CO1 -> F04 -1: (5 °C, 15 °C, 25 °C, 30 °C)  Flow temperature: -5.0 to 150.0 °C (70.0 °C, 55.0 °C, 40.0 °C, 25.0 °C) When CO1 -> F04 -1: (20 °C, 15 °C, 10 °C, 5 °C)  Reduced flow temperature: -5.0 to 150.0 °C (60.0 °C, 40.0 °C, 20.0 °C, 20.0 °C) When CO1 -> F04 -1: (30 °C, 25 °C, 20 °C, 15 °C)  Return flow temperature: 5.0 to 90.0 °C (65.0 °C, 65.0 °C, 65.0 °C, 65.0 °C)
	↓	-15°	-5°	5°	15°																	
	▨	70°	55°	40°	25°																	
▨	60°	40°	20°	20°																		
↕	65°	65°	65°	65°																		
 <table border="1"> <tr> <td>↓</td> <td>-15°</td> <td>-5°</td> <td>5°</td> <td>15°</td> </tr> <tr> <td>∇</td> <td></td> <td>0.00</td> <td></td> <td>0.00</td> </tr> <tr> <td></td> <td></td> <td>0.00</td> <td></td> <td>0.00 m³/h</td> </tr> </table>	↓	-15°	-5°	5°	15°	∇		0.00		0.00			0.00		0.00 m³/h	Flow rate: 0.01 to 650 m³/h (0.00 m³/h, 0.00 m³/h, 0.00 m³/h, 0.00 m³/h)						
↓	-15°	-5°	5°	15°																		
∇		0.00		0.00																		
		0.00		0.00 m³/h																		
 <table border="1"> <tr> <td>↓</td> <td>-15°</td> <td>-5°</td> <td>5°</td> <td>15°</td> </tr> <tr> <td>P</td> <td></td> <td>0.0</td> <td></td> <td>0.0</td> </tr> <tr> <td></td> <td></td> <td>0.0</td> <td></td> <td>0.0 kW</td> </tr> </table>	↓	-15°	-5°	5°	15°	P		0.0		0.0			0.0		0.0 kW	Capacity: 0.1 to 6500 kW (TROVIS 5573-11 only with CO6 -> F12 - 1) or 1 to 800 pulse/h (when CO5 -> F10 - 1) (0.0 kW, 0.0 kW, 0.0 kW, 0.0 kW) or (0.0 pulse/h, 0.0 pulse/h, 0.0 pulse/h, 0.0 pulse/h)						
↓	-15°	-5°	5°	15°																		
P		0.0		0.0																		
		0.0		0.0 kW																		
06	 20.0°C	Min. flow temperature: -5.0 to 150.0 °C (20.0 °C)																				
07	 70.0°C	Max. flow temperature: 5.0 to 150.0 °C (70.0 °C) 5.0 to 50.0 °C (50.0 °C) when CO1 -> F05 - 1																				
09	 -15.0°C	Outdoor temperature for continuous day mode: -50.0 to 5.0 °C (-15 °C)																				
10	 40.0°C	Minimum flow temperature set point HC for binary demand processing: 5.0 to 150.0 °C (40.0 °C)																				
11	 1.2	Return flow gradient: 0.2 to 3.2 (1.2)																				
12	 0.0°C	Return flow level: -30.0 to 30.0 °C (0.0 °C)																				







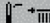


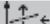



## Annex A (configuration instructions)

P	Reading	Parameter: Value range (default setting)
13	 <b>65.0°C</b>	Base point for return flow temperature: 5.0 to 90.0 °C (65.0 °C)
14	 <b>65.0°C</b>	Max. return flow temperature: 5.0 to 90.0 °C (65.0 °C)
15	 <b>5.0°C</b>	Set point boost (pre-control circuit): 0.0 to 50.0 °C (5.0 °C)
16	 <b>AUTO</b>	Minimum set point to charge buffer tank: OT to 90.0 °C (AUTO)
17	 <b>AUTO</b>	Stop charging of the buffer tank: OT to 90.0 °C (AUTO)
18	 <b>6.0°C</b>	Charging temperature boost: 0.0 to 50.0 °C (6.0 °C)
19	 <b>1.0</b>	Lag time of charging pump 0.0 to 10.0 (1.0)

### PA2: Heating circuit HC2









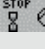
P	Reading	Parameter: Value range (default setting)
01	 <b>1.2</b>	Flow gradient: 0.2 to 3.2 (1.2) 0.2 to 1.0 (0.5) when CO2 -> F05 - 1
02	 <b>0.0°C</b>	Level (parallel shift): -30.0 to 30.0 °C (0.0 °C)
03	 <b>50.0°C</b>	Flow set point (day) (only when CO2 -> F02 - 0 and CO2 -> F09 - 1): -5.0 to 150.0 °C (50.0 °C)
04	 <b>30.0°C</b>	Flow set point (night) (only when CO2 -> F02 - 0 and CO2 -> F09 - 1): -5.0 to 150.0 °C (30.0 °C)



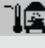

P	Reading	Parameter: Value range (default setting)
05	P05   -15° -5° 5° 15°  70° 55° 40° 25°  60° 40° 20° 20°  65° 65° 65° 65°	Four-point characteristic  Outdoor temperature: -50.0 to 50.0 °C (-15.0 °C, -5.0 °C, 5.0 °C, 15.0 °C) When CO2 -> F04 - 1: (5 °C, 15 °C, 25 °C, 30 °C)  Flow temperature: -5.0 to 150.0 °C (70.0 °C, 55.0 °C, 40.0 °C, 25.0 °C) when CO2 -> F04 - 1: (20 °C, 15 °C, 10 °C, 5 °C)  Reduced flow temperature: -5.0 to 150.0 °C (60.0 °C, 40.0 °C, 20.0 °C, 20.0 °C) when CO2 -> F04 - 1: (30 °C, 25 °C, 20 °C, 15 °C)  Return flow temperature: 5.0 to 90.0 °C (65.0 °C, 65.0 °C, 65.0 °C, 65.0 °C)
06	P06  20.0°C	Min. flow temperature: -5.0 to 150.0 °C (20.0 °C)
07	P07  70.0°C	Max. flow temperature: 5.0 to 150.0 °C (70.0 °C) 5.0 to 50.0 °C (50.0 °C) when CO2 -> F05 - 1
09	P09  -15.0°C	Outdoor temperature for continuous day mode: -50.0 to 5.0 °C (-15 °C)
11	P11  1.2	Return flow gradient: 0.2 to 3.2 (1.2)
12	P12  0.0°C	Return flow level: -30.0 to 30.0 °C (0.0 °C)
13	P13  65.0°C	Base point for return flow temperature: 5.0 to 90.0 °C (65.0 °C)
14	P14  65.0°C	Max. return flow temperature: 5.0 to 90.0 °C (65.0 °C)
15	P15  5.0°C	Set point boost (pre-control circuit): 0.0 to 50.0 °C (5.0 °C)

## Annex A (configuration instructions)


### PA4: Domestic hot water heating (DHW)

P	Reading	Parameter: Value range (default setting)
01	P01  40.0°C	Min. adjustable DHW set point: 5.0 to 90.0 °C (40.0 °C)
02	P02  60.0°C	Max. adjustable DHW set point: 5.0 to 90.0 °C (90.0 °C)
03	P03  5.0°C	Hysteresis: 1.0 to 30.0 °C (5.0 °C)
04	P04  10.0°C	Charging temperature boost: 0.0 to 50.0 °C (10.0 °C)
05	P05 80.0°C	Max. charging temperature (only when CO4 -> F05 - 1): 20.0 to 150.0 °C (80.0 °C)
07	P07 65.0°C	Max. return flow temperature: 20.0 to 90.0 °C (65.0 °C)
10	P10  10.0°C	Solar circuit pump ON: 1.0 to 30.0 °C (10.0 °C)
11	P11  3.0°C	Solar circuit pump OFF: 0.0 to 30.0 °C (3.0 °C)
12	P12 88.0°C	Max. storage tank temperature: 20.0 to 90.0 °C (80.0 °C)
13	P13  80.0°C	Maximum buffer tank temperature: 20.0 to 90.0 °C (80.0 °C)
14	P14  100%	Control signal DHW for storage tank charging: 5 to 100 % (100 %)
19	P19  1.0	Lag time for storage tank charging pump (= Valve transit time x P19): 0.0 to 10.0 (1.0)

### PA5: System-wide parameters

P	Reading	Parameter: Value range (default setting)
01	P01  60.0°C	Start temperature for boiler pump (system Anl 16.x only) 20.0 to 90.0 °C (60.0 °C)
02	P02  5.0°C	Boiler pump hysteresis (system Anl 16.x only) 0.0 to 30.0 °C (5.0 °C)

**PA6: Modbus**

P	Reading	Parameter: Value range (default setting)
01	 <b>1</b>	Modbus station address (8 bit): 1 to 246 (255) 1 to 3200 (255) when CO6 -> F02 - 1


## 16.8 Customer-specific data


Station	
Operator	
SAMSON office	
System code number	

### Function block settings in configuration levels

	CO1	CO2	CO4	CO5	CO6	CO8
F01						
F02						
F03						
F04						
F05						
F06						
F07						
F08						
F09						
F10						
F11						
F12						
F13						
F14						
F15						
F16						
F17						
F18						
F19						
F20						
F21						
F22						
F23						
F24						
F25						
F27						
F28						
F31						
F34						

**Settings at the rotary switch · Set points**

Parameters	Switch position 	Value range
HC1 room temperature		0.0 to 40.0 °C
HC2 room temperature		
DHW temperature		Min. to max. DHW temperature
HC1 OT deactivation value		0.0 to 50.0 °C
HC2 OT deactivation value		

Parameters	Switch position 	Value range
HC1 room temperature		0.0 to 40.0 °C
HC2 room temperature		
DHW temperature		Min. to max. DHW temperature
HC1 OT deactivation value		-50.0 to 50.0 °C
HC2 OT deactivation value		

**Settings at the rotary switch · Times-of-use · Switch position **

Times-of-use HC1	Mon	Tue	Wed	Thu	Fri	Sat	Sun	Value range
Start first time-of-use								00:00 to 24:00 h
Stop first time-of-use								
Start second time-of-use								
Stop second time-of-use								
Start third time-of-use								
Stop third time-of-use								

Times-of-use HC2	Mon	Tue	Wed	Thu	Fri	Sat	Sun	Value range
Start first time-of-use								00:00 to 24:00 h
Stop first time-of-use								
Start second time-of-use								
Stop second time-of-use								
Start third time-of-use								
Stop third time-of-use								

## Annex A (configuration instructions)

Times-of-use DHW	Mon	Tue	Wed	Thu	Fri	Sat	Sun	Value range
Start first time-of-use								00:00 to 24:00 h
Stop first time-of-use								
Start second time-of-use								
Stop second time-of-use								
Start third time-of-use								
Stop third time-of-use								

Times-of-use ZP	Mon	Tue	Wed	Thu	Fri	Sat	Sun	Value range
Start first time-of-use								00:00 to 24:00 h
Stop first time-of-use								
Start second time-of-use								
Stop second time-of-use								
Start third time-of-use								
Stop third time-of-use								

### PA1 parameters (heating circuit HC1) and PA2 parameters (heating circuit HC2)

P	Parameters	PA1 (HC1)	PA2 (HC2)	Value range
01	Flow gradient			0.2 to 3.2
02	Level (parallel shift)			-30.0 to 30.0 °C
03	Flow set point (day)			-5.0 to 150.0 °C
04	Flow set point (night)			-5.0 to 150.0 °C
05	Four-point characteristic			
	Outdoor temperature, point 1			-50.0 to 50.0 °C
	Outdoor temperature, point 2			-50.0 to 50.0 °C
	Outdoor temperature, point 3			-50.0 to 50.0 °C
	Outdoor temperature, point 4			-50.0 to 50.0 °C
	Flow temperature, point 1			-5.0 to 150.0 °C
	Flow temperature, point 2			-5.0 to 150.0 °C
	Flow temperature, point 3			-5.0 to 150.0 °C
	Flow temperature, point 4			-5.0 to 150.0 °C
	Reduced flow temperature, point 1			-5.0 to 150.0 °C
	Reduced flow temperature, point 2			-5.0 to 150.0 °C
	Reduced flow temperature, point 3			-5.0 to 150.0 °C
	Reduced flow temperature, point 4			-5.0 to 150.0 °C
	Return flow temperature, point 1			5.0 to 90.0 °C
	Return flow temperature, point 2			5.0 to 90.0 °C

P	Parameters	PA1 (HC1)	PA2 (HC2)	Value range
05	Return flow temperature, point 3			5.0 to 90.0 °C
	Return flow temperature, point 4			5.0 to 90.0 °C
	Flow rate, point 1		–	0.01 to 650 m <sup>3</sup> /h
	Flow rate, point 2		–	0.01 to 650 m <sup>3</sup> /h
	Flow rate, point 3		–	0.01 to 650 m <sup>3</sup> /h
	Flow rate, point 4		–	0.01 to 650 m <sup>3</sup> /h
	Capacity, point 1		–	0.1 to 6500 kW or 1 to 800 pulses/h
	Capacity, point 2		–	
	Capacity, point 3		–	
	Capacity, point 4		–	
06	Min. flow temperature			–5.0 to 150.0 °C
07	Max. flow temperature			5.0 to 150.0 °C
09	Outdoor temperature for continuous day mode			–50.0 to 5.0 °C
10	Minimum flow temperature set point HC for binary demand processing			5.0 to 150.0 °C
11	Return flow gradient			0.2 to 3.2
12	Return flow level			–30.0 to 30.0 °C
13	Base point for return flow temperature:			5.0 to 90.0 °C
14	Max. return flow temperature			5.0 to 90.0 °C
15	Set point boost (pre-control circuit)			0.0 to 50.0 °C
16	Minimum set point to charge buffer tank		–	OT to 90.0 °C
17	Stop charging of the buffer tank		–	OT to 90.0 °C
18	Charging temperature boost		–	0.0 to 50.0 °C
19	Lag time of charging pump		–	0.0 to 10.0

### CO1 function block parameters (heating circuit HC1) and CO2 function block parameters (heating circuit HC2)

F	Function block parameters	CO1 (HC1)	CO2 (HC2)	Value range
03	KP (limiting factor)			0.1 to 10.0
05	Start temperature			20.0 to 60.0 °C
05	Hold (days)			0 to 10 days
05	Temp. rise/day			0.0 to 10.0 °C
05	Maximum temperature			25.0 to 60.0 °C
05	Hold (days)			0 to 10 days
05	Temp. reduction/day			0.0 to 10.0 °C

## Annex A (configuration instructions)

F	Function block parameters	CO1 (HC1)	CO2 (HC2)	Value range
05	Start condition			Start, Stop, Hold, Reduction
09	Cycle time			0 to 100 min
09	KP (gain)			0.0 to 25.0
12	KP (gain)			0.1 to 50.0
12	Tn (reset time)			1 to 999 s
12	TV (derivative-action time)			0 to 999 s
12	TY (valve transit time)			15 to 240 s
12	Hysteresis			1.0 to 30.0 °C
12	Min. ON time			0 to 10 min
12	Min. OFF time			0 to 10 min
13	Max. system deviation			3.0 to 10.0 °C
14	Active when BI =			ON, OFF
17	Active when BI =			ON, OFF
18	Lower transmission range		–	0.0 to 150.0 °C
18	Upper transmission range		–	0.0 to 150.0 °C
18	Boost			0.0 to 30.0 °C
21	Start speed reduction - limit		–	5.0 to 90.0 °C
21	Stop speed reduction - limit		–	5.0 to 90.0 °C
21	Minimum speed		–	0 to 50 % to 50 %
23	Set point of differential temperature control		–	0.0 to 50.0 °C
23	KP (influence factor)		–	0.1 to 10.0
23	Minimum speed		–	0 to 100 %
28	OTL night 100 %			–50.0 to 20.0 °C
28	OTL day 0 %			–50.0 to 5.0 °C

### PA4 parameters (domestic hot water heating)

P	Parameters	PA4 (DHW)	Value range
01	Min. adjustable DHW set point		5.0 to 90.0 °C
02	Max. adjustable DHW set point		5.0 to 90.0 °C
03	Hysteresis		1.0 to 30.0 °C
04	Charging temperature boost		0.0 to 50.0 °C
05	Max. charging temperature		20.0 to 150.0 °C
07	Max. return flow temperature		20.0 to 90.0 °C
10	Solar circuit pump ON		0.0 to 30.0 °C
11	Solar circuit pump OFF		20.0 to 90.0 °C



P	Parameters	PA4 (DHW)	Value range
12	Max. storage tank temperature		20.0 to 90.0 °C
13	Maximum buffer tank temperature		20.0 to 90.0 °C
14	Control signal DHW for storage tank charging		5 to 100 %
19	Lag time for storage tank charging pump		0.0 to 10.0 (1.0)

### CO4 function block parameters (domestic hot water heating)

F	Function block parameters	CO4 (DHW)	Value range
03	KP (limiting factor)		0.1 to 10.0
04	Select		Analog/binary
06	Cancel		0 to 10 min
06	Temperature limit		20.0 to 90.0 °C
08	Start		0 to 10 min
08	KP (influence factor)		0.1 to 10.0
08	Control circuit (only system Anl 4.5)		HC1, HC2, HC1+HC2
09	Start		0 to 10 min
09	Control circuit (only system Anl 4.5)		HC1, HC2, HC1+HC2
12	KP (gain)		0.1 to 50.0
12	Tn (reset time)		1 to 999 s
12	TV (derivative-action time)		0 to 999 s
12	TY (valve transit time)		15 to 240 s
12	Hysteresis		1.0 to 30.0 °C
12	Min. ON time		0 to 10 min
12	Min. OFF time		0 to 10 min
13	Max. system deviation		3.0 to 10.0 °C
14	Day of the week		Monday to Sunday, daily
14	Time		Adjustable as required
14	Boost		60.0 to 90.0 °C
14	Duration		0 to 255 min
14	Active when BI =		ON, OFF
21	Start speed reduction - limit		5.0 to 90.0 °C
21	Stop speed reduction - limit		5.0 to 90.0 °C
21	Minimum speed		0 to 50 % to 50 %
22	Valve position when cold charging protection is active		1 to 100 %

## Annex A (configuration instructions)

### PA5 parameters (system-wide parameters)

P	Parameters	PA5	Value range
01	Start temperature for boiler pump		20.0 to 90.0 °C
02	Boiler pump hysteresis		0.0 to 30.0 °C

### CO5 function block parameters (system-wide functions)

F	Function block parameters	CO5	Value range
04	Time		Adjustable as required
04	No. days until activation		1 to 3
04	No. days until deactivation		1 to 3
04	Limit		0.0 to 30.0 °C
05	Delay/h		0.2 to 6.0 °C
06	Delay/h		0.2 to 6.0 °C
07	Relay contact		NC contact, NO contact
09	Limit		-15.0 to 3.0 °C
10	Max. limit		OT to 800 pulses/h
10	Max. limit (heating)		OT to 800 pulses/h
10	Max. limit (DHW)		1 to 800 pulses/h
10	Limiting factor		0.1 to 10.0
12	Switching mode		Binary, analog
12	Active when BI =		ON, OFF
15	Active when BI =		ON, OFF
23	Direction		Input, Output
23	Lower transmission range		-50.0 to 100.0 °C
23	Upper transmission range		-50.0 to 100.0 °C
25	Zero point		0 to 50 % to 50 %
31	Zero point		5 to 20 %
	Lower transmission range		0 to 150 °C
	Upper transmission range		0 to 150 °C

F	Function block parameters	CO5	Value range
34	Function		Adjustable: 0 to 10 V input, Y1, Y2, 10 V supply, 3 V supply, differential temperature control, SLP speed, external demand, outdoor temperature

### PA6 parameters (Modbus)

P	Parameters	PA6	Value range
01	Modbus station address (8 bit)		1 to 246

### CO6 function block parameters (Modbus)

F	Function block parameters	CO6	Value range
10	Heat meter 1 address		0 to 255
10	HM 1 model		1434, CAL3, APAtO, SLS
10	Heat meter 1 mode		24 h, Continuous, Coil
10	Heat meter 2 address		0 to 255
10	HM 2 model		1434, CAL3, APAtO, SLS
10	Heat meter 3 mode		24 h, Continuous, Coil
10	Heat meter 3 address		0 to 255
10	HM 3 model		1434, CAL3, APAtO, SLS
10	Heat meter 3 mode		24 h, Continuous, Coil
11	Max. limit		OT, 0.01 to 650 m <sup>3</sup> /h
11	Max. limit (heating)		OT, 0.00 to 650 m <sup>3</sup> /h
11	Max. limit (DHW)		0.01 to 650 m <sup>3</sup> /h
11	Limiting factor		0.1 to 10
12	Max. limit		OT, 0.1 to 6500 kW
12	Max. limit (heating)		OT, 0.0 to 6500 kW
12	Max. limit (DHW)		0.1 to 6500 kW
12	Limiting factor		0.1 to 10
13	Max. limit		0.01 to 650 m <sup>3</sup> /h
13	Limiting factor		0.1 to 10
14	Max. limit		0.1 to 6500 kW
14	Limiting factor		0.1 to 10

## Annex A (configuration instructions)

### CO8 function block parameters (initialization of BI1 and BI2)

F	Function block parameters	CO8	Value range
1	Error message when		BI = 0, BI = 1, none (1)
2	Limiting factor		BI = 0, BI = 1, none (1)

## 17 Annex B

### 17.1 Accessories

Memory module	Order no. 1400-9379
Mini module	Order no. 1400-7436
Data logging module	Order no. 1400-9378
USB converter 3	Order no. 1400-9377
TROVIS-VIEW software (free of charge)	▶ <a href="http://www.samsunggroup.com">www.samsunggroup.com</a> > DOWNLOADS > Software & Drivers > TROVIS-VIEW
4-port bus hub	Order no. 1400-7140
RS-485 communication module	Order no. 8812-2002
Surge arrester SA5000	Order no. 1400-9868
SAM HOME Gateway	Type 5660
SAM MOBILE Gateway	Type 5655
SAM-LAN Gateway	Type 5650
Water flow sensor with extension cable	Order no. 1400-9246

## 17.2 After-sales service

### After-sales service

Contact our after-sales service for support concerning service or repair work or when malfunctions or defects arise.

### E-mail contact

You can reach our after-sales service at

▶ [aftersaleservice@samsongroup.com](mailto:aftersaleservice@samsongroup.com).

### Addresses of SAMSON AG and its subsidiaries

The addresses of SAMSON, its subsidiaries, representatives and service facilities worldwide can be found on our website (▶ [www.samsongroup.com](http://www.samsongroup.com)) or in all SAMSON product catalogs.

### Required specifications

Please submit the following details:

- Model number
- Firmware version
- Serial number

**Key number**

**1732**







**EB 5573-1 EN**



SAMSON AKTIENGESELLSCHAFT  
Weismüllerstraße 3 · 60314 Frankfurt am Main, Germany  
Phone: +49 69 4009-0 · Fax: +49 69 4009-1507  
samson@samsongroup.com · www.samsongroup.com